

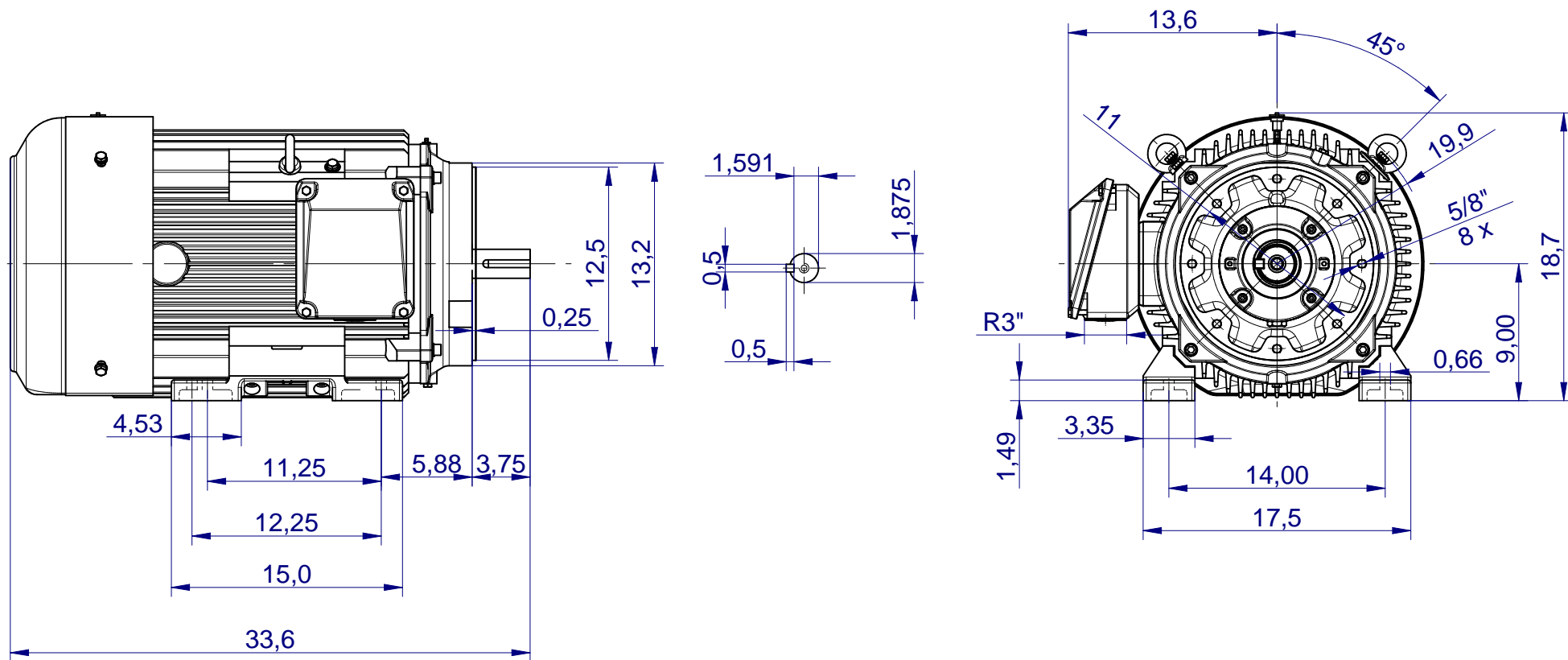
1:10

Drawing is for reference dimensions only and subject to change.



CELMA
indukta

SIE360TS2



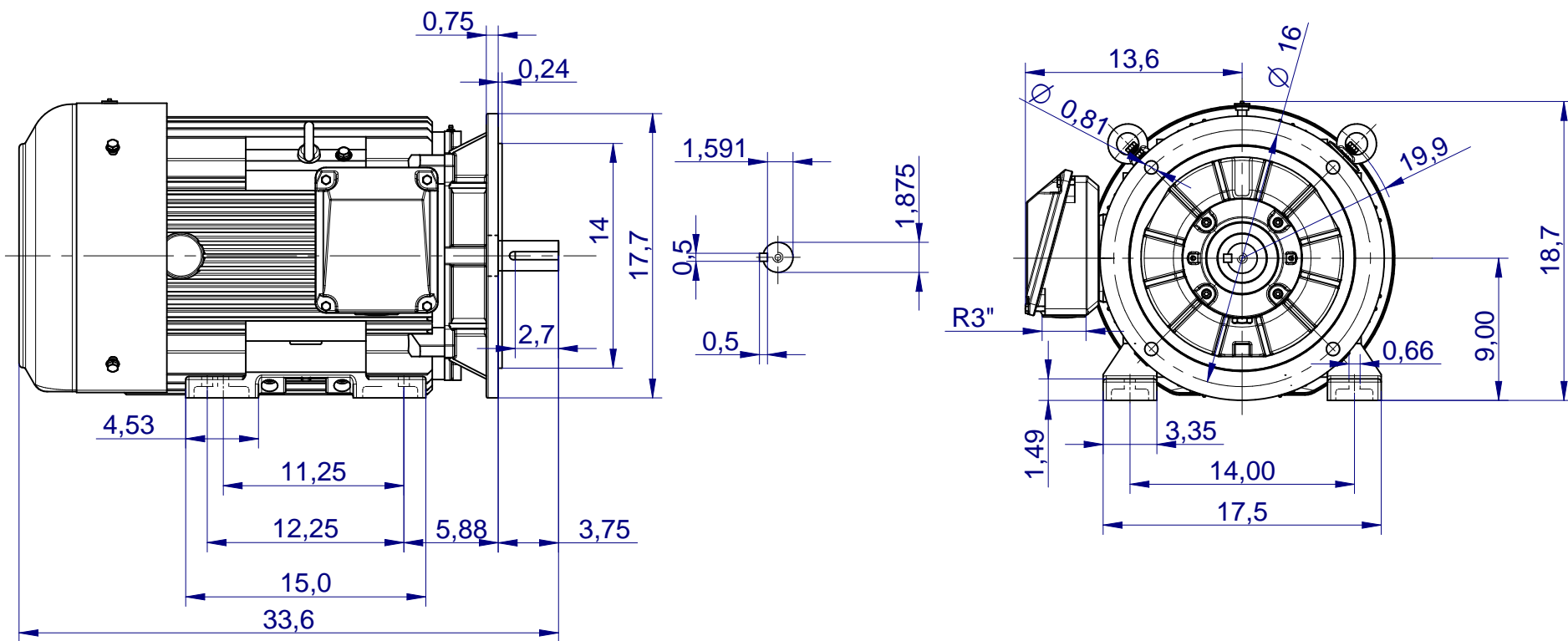
1:10

Drawing is for reference dimensions only and subject to change.

Cantoni[®]
GROUP

CELMA
indukta

SIE360T SCL2



1:10

Drawing is for reference dimensions only and subject to change.

Cantoni[®]
GROUP

CELMA
indukta

SIE360TSDL2