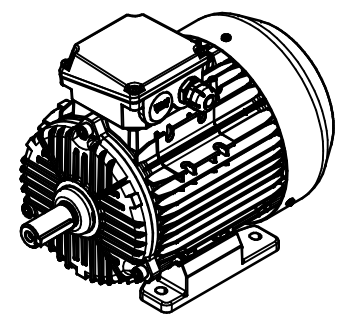
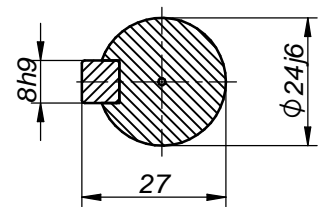


A-A (1:1)



since 1920  
**CELMA**  
**indukta**  
 since 1878  
**Cantoni**  
 GROUP

Motor type

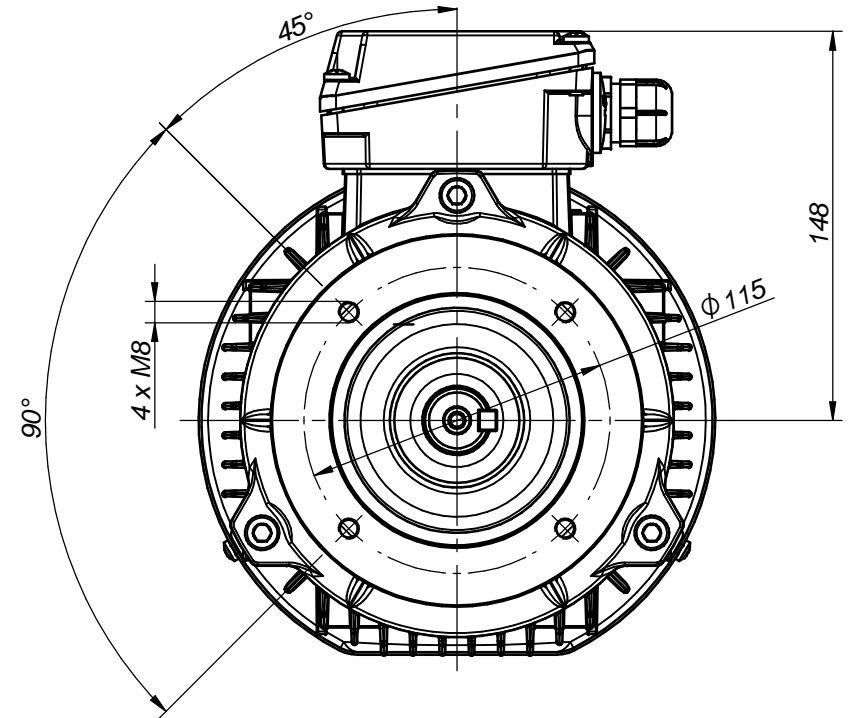
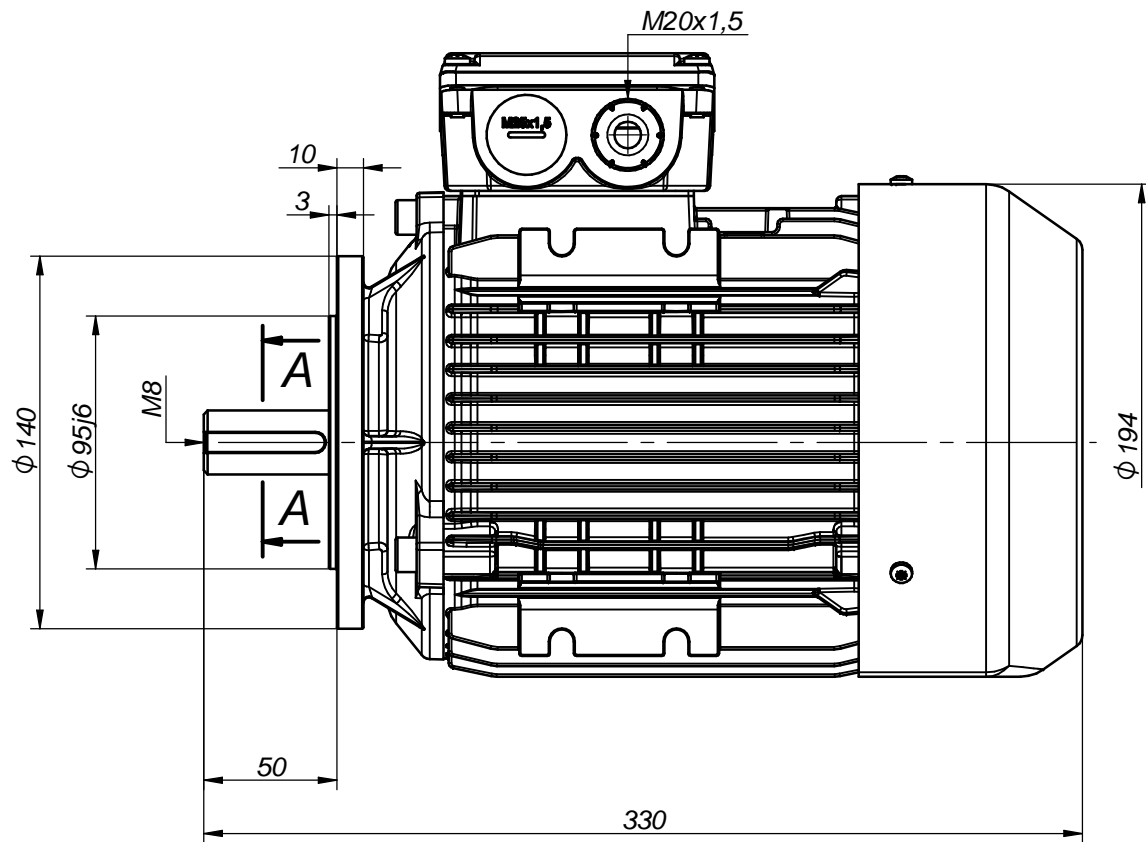
**Ex 3SIE90S2,4,6;L2 – 2G,2D,2G/2D – IMB3**

Drawing no.

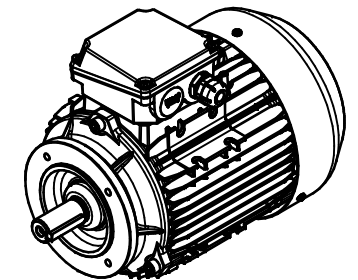
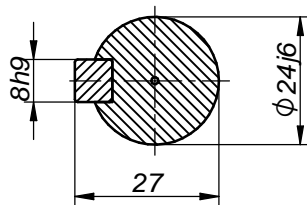
**S-143-01-2023**

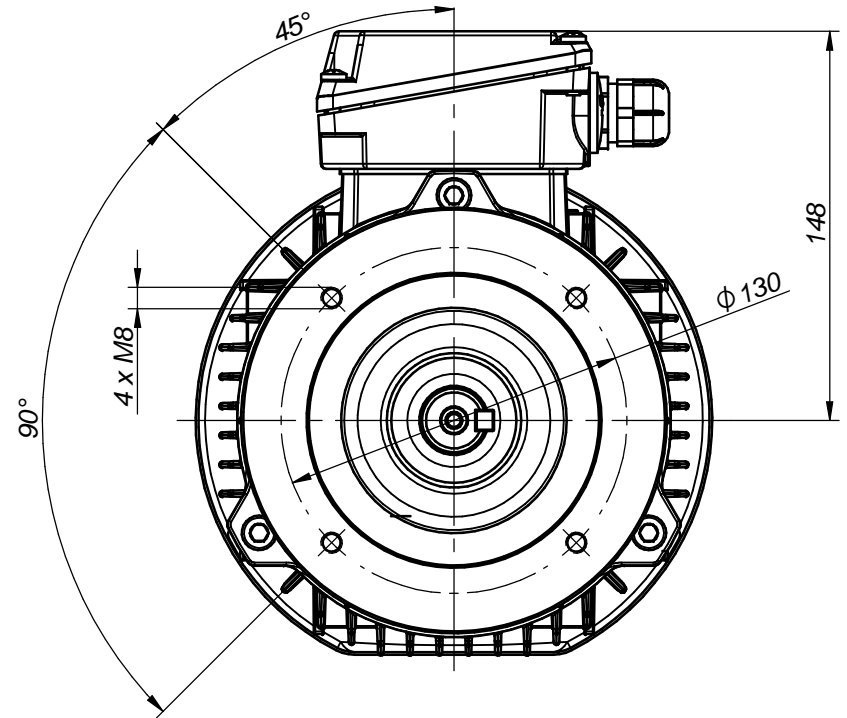
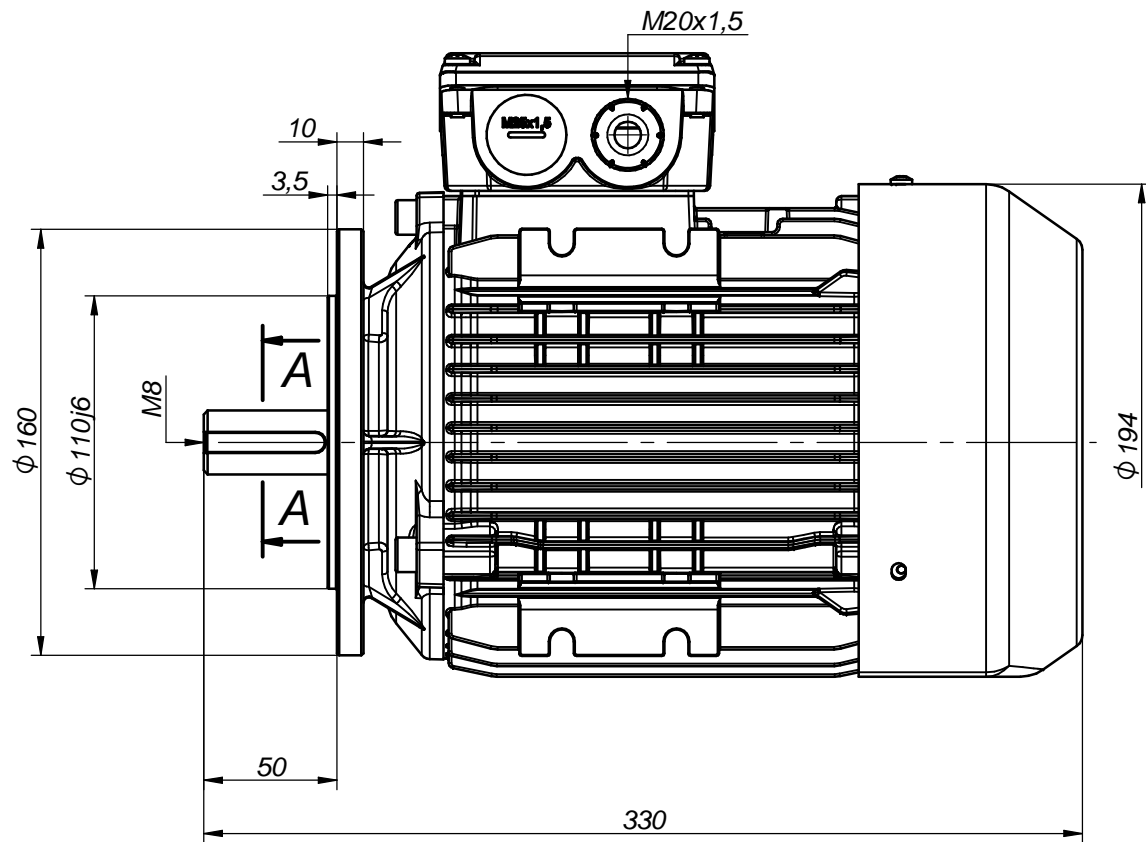
Scale

**1:2**

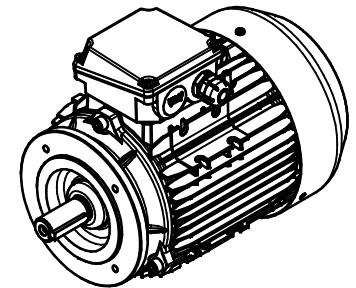
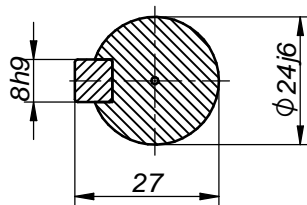


A-A (1:1)





A-A (1:1)



Motor type

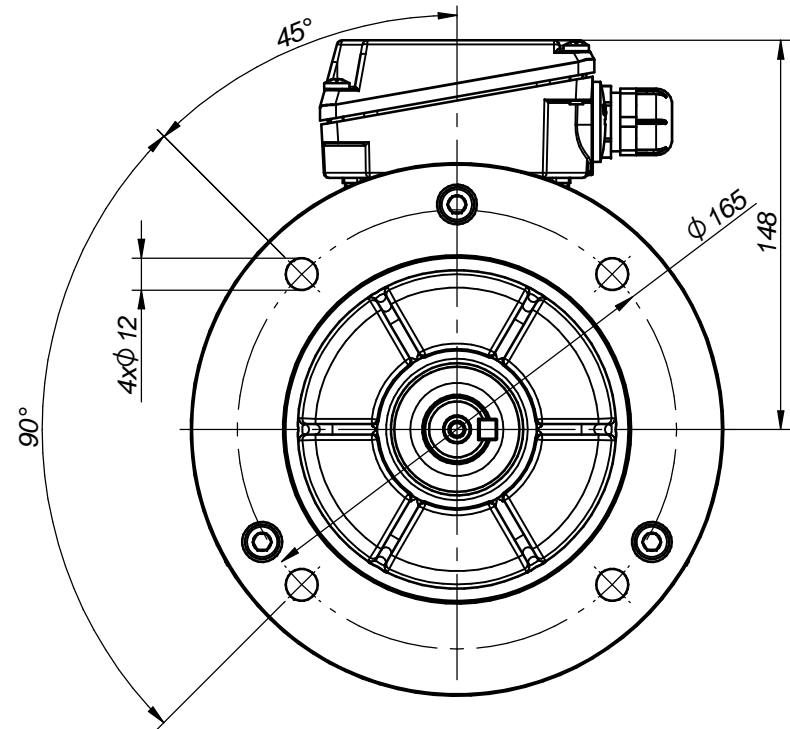
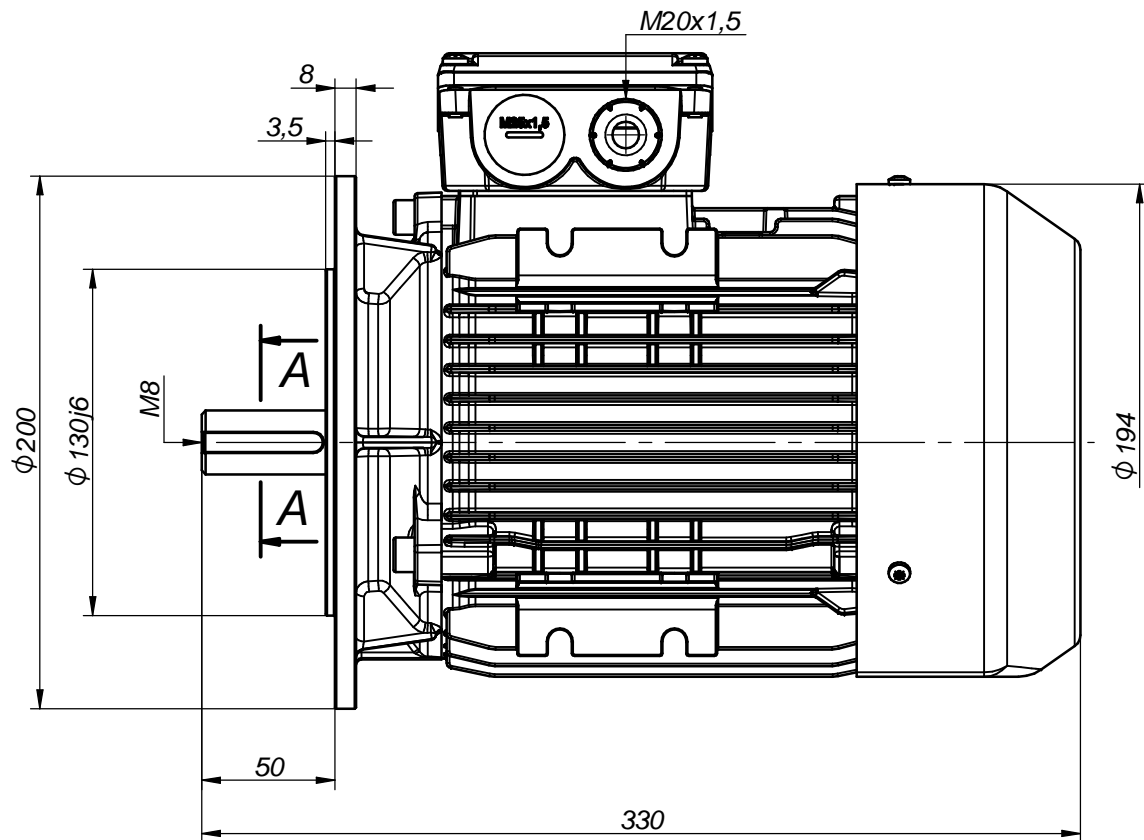
**Ex 3SIEK90S2,4,6;L2 - 2G,2D,2G&2D - IMB14C1**

Drawing no.

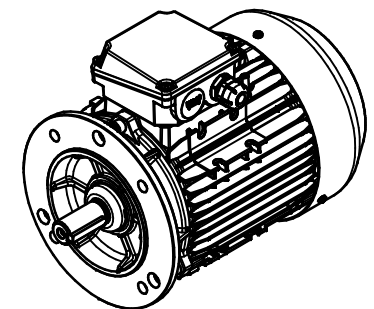
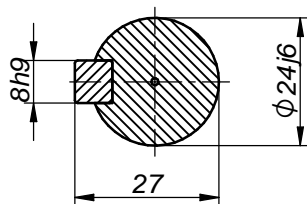
**S-174-01-2023**

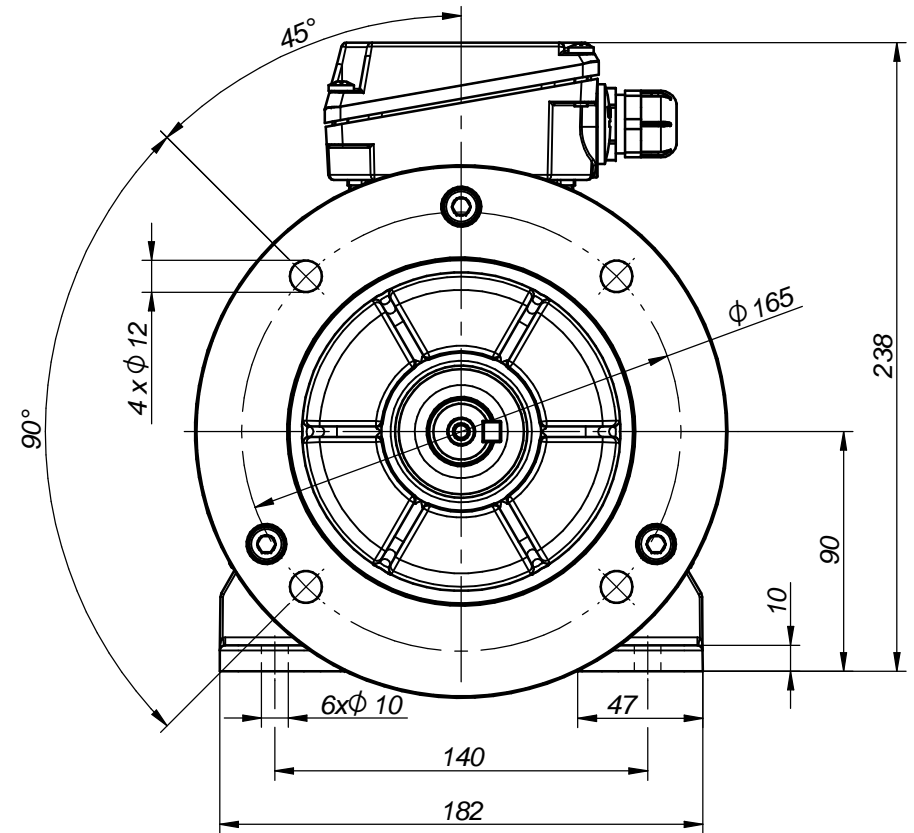
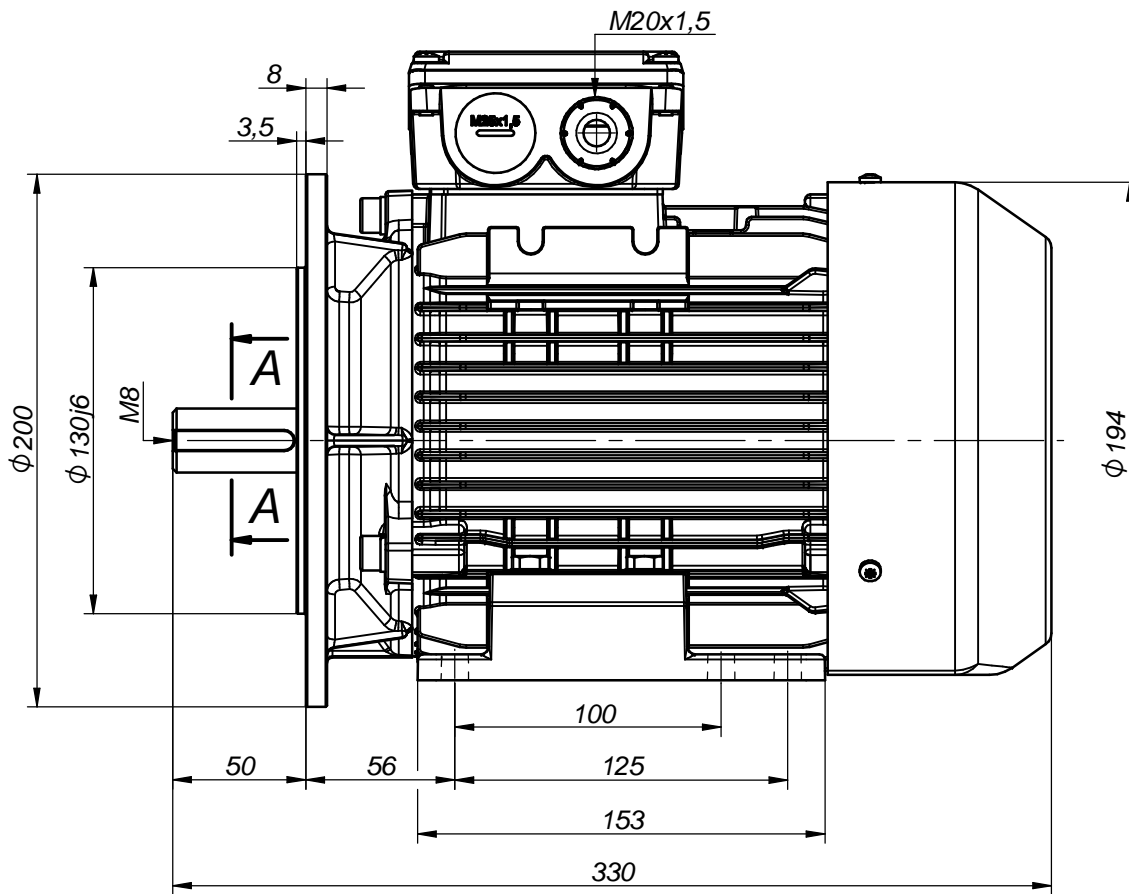
Scale

**1:2**



A-A (1:1)





A-A (1:1)

