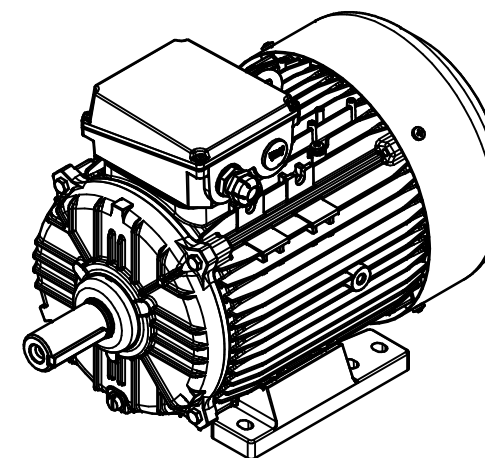
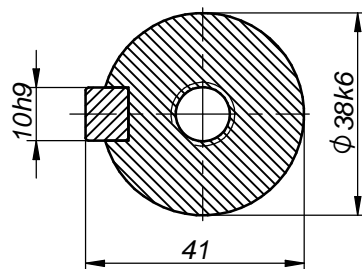
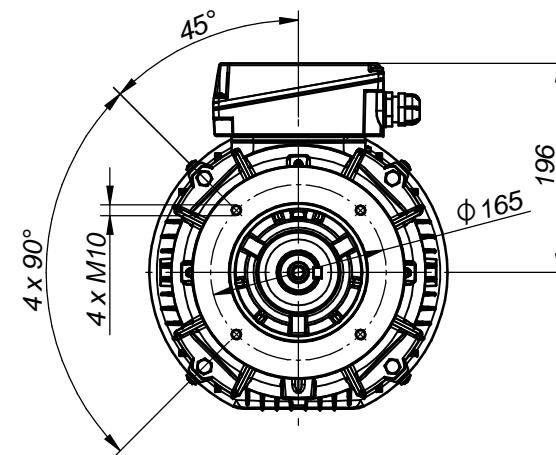
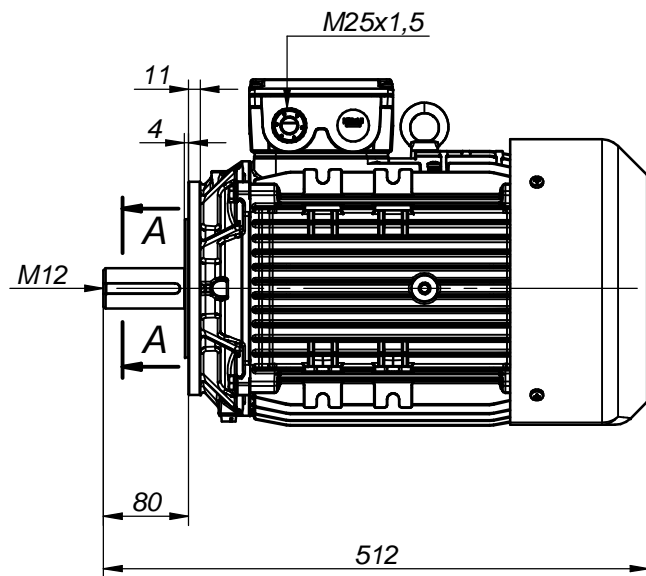
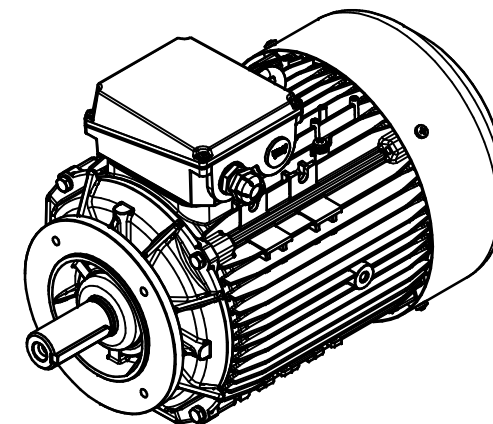
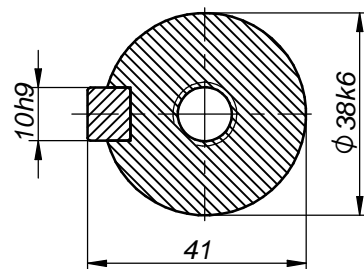


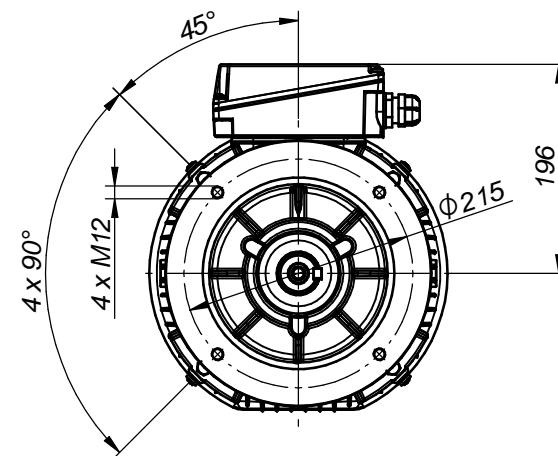
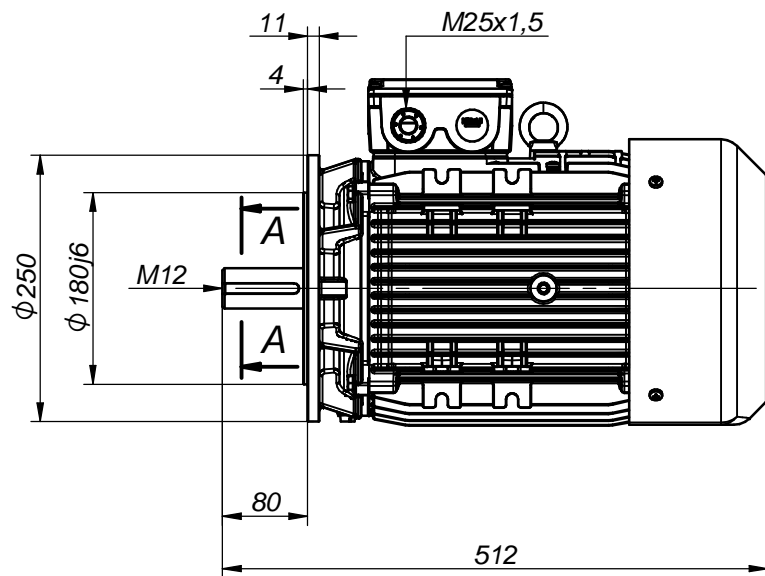
A-A (1:1)



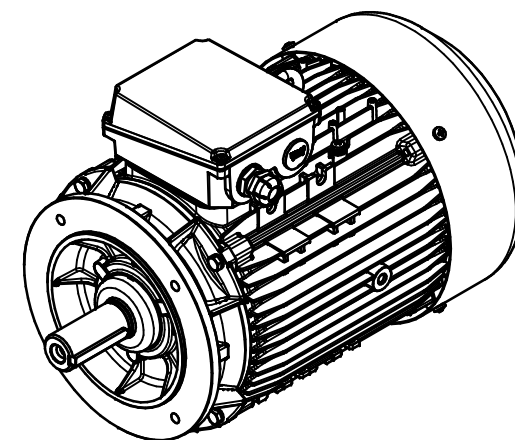
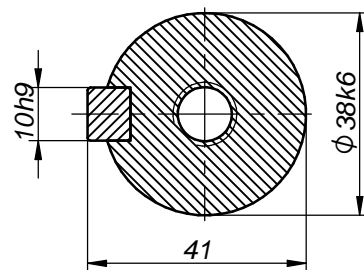


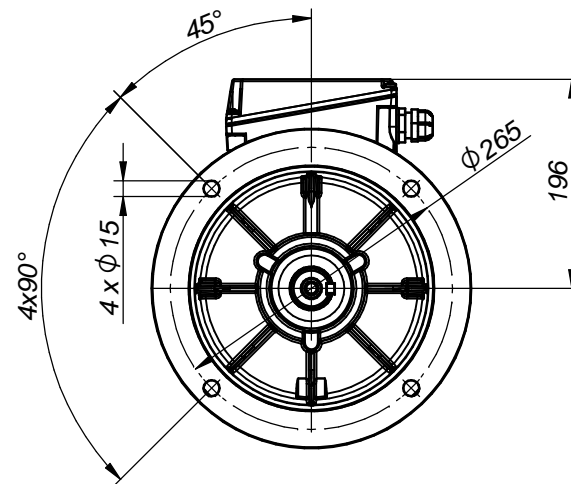
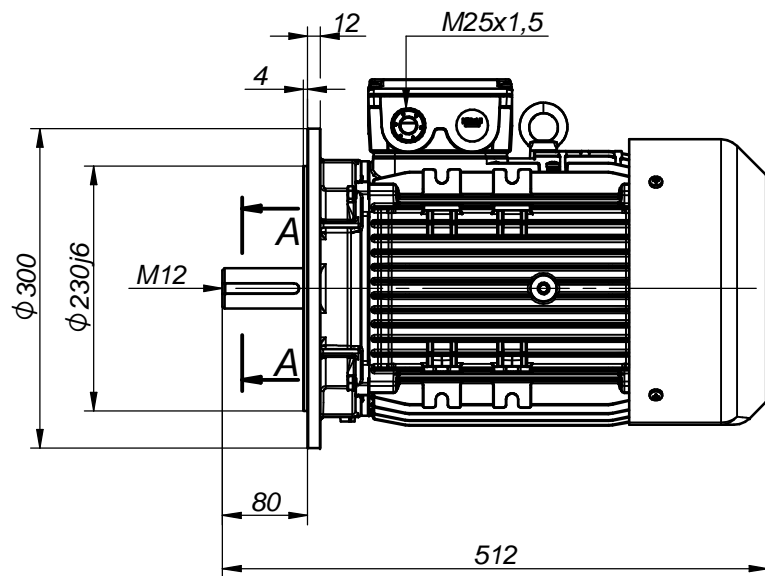
A-A (1:1)



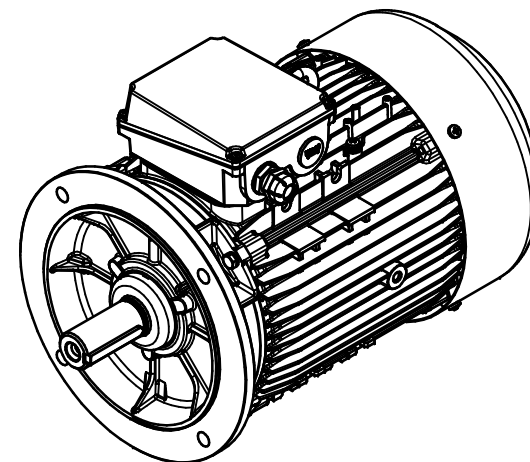
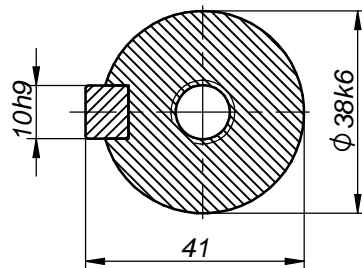


A-A (1:1)





A-A (1:1)



Motor type

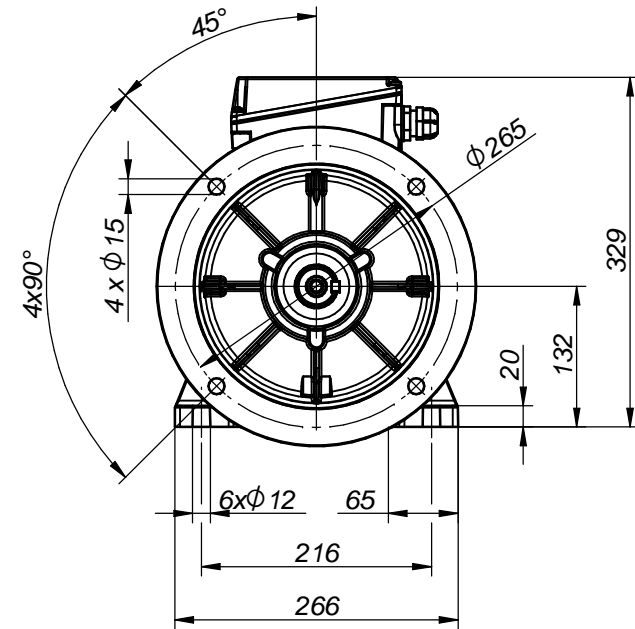
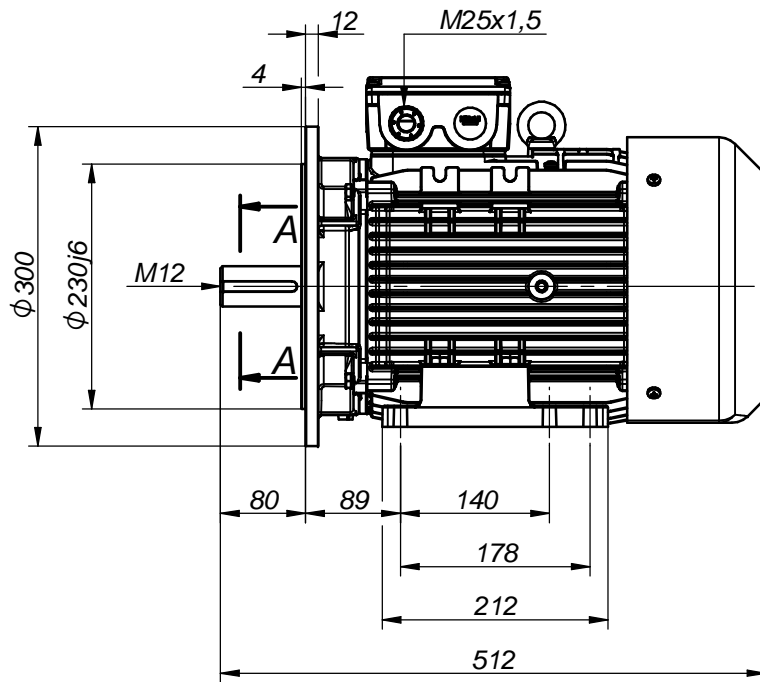
Ex 3SIEK132S,M – 2G,2D,2G/2D – IMB5

Drawing no.

S-158-01-2023

Scale

1:5



A-A (1:1)

