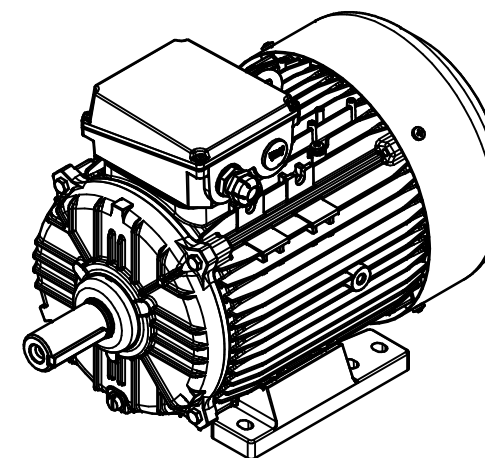
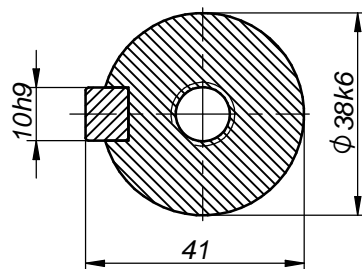
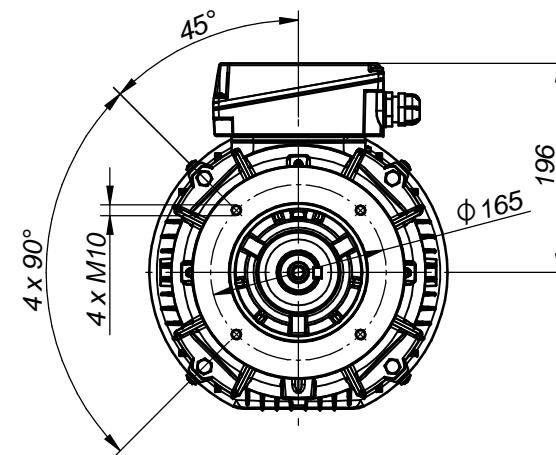
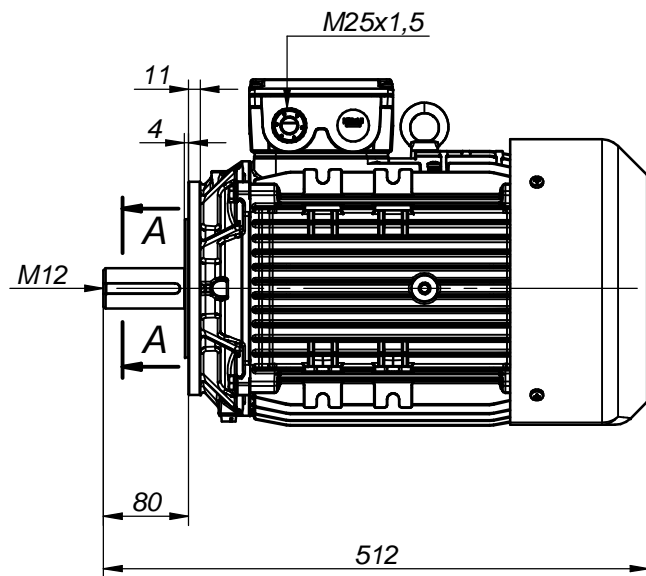
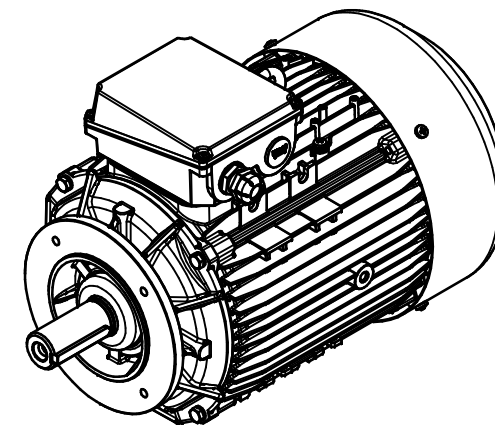
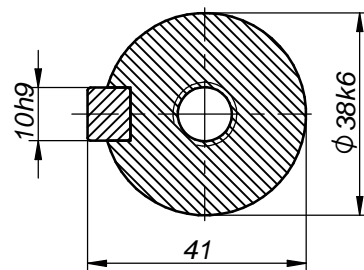


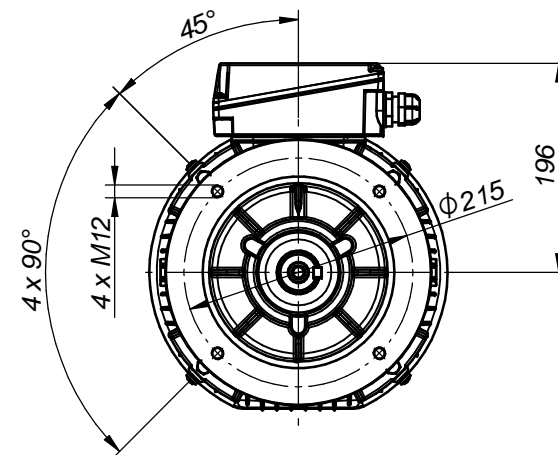
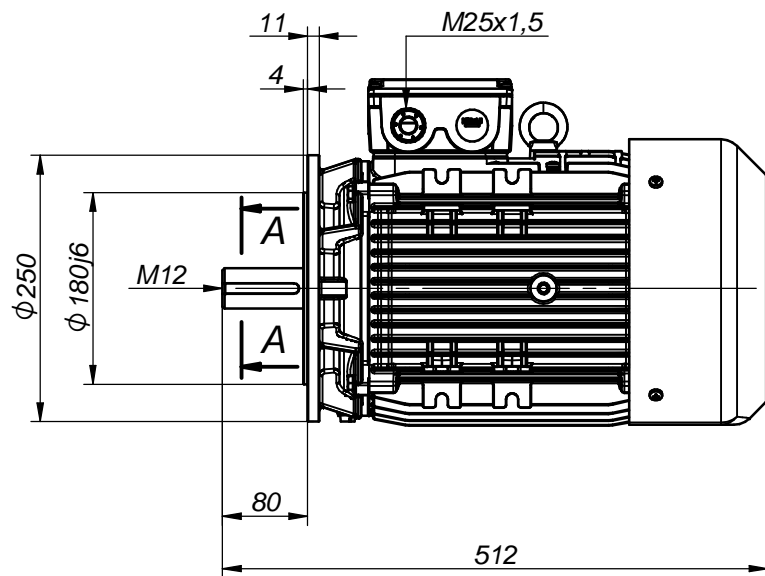
A-A (1:1)



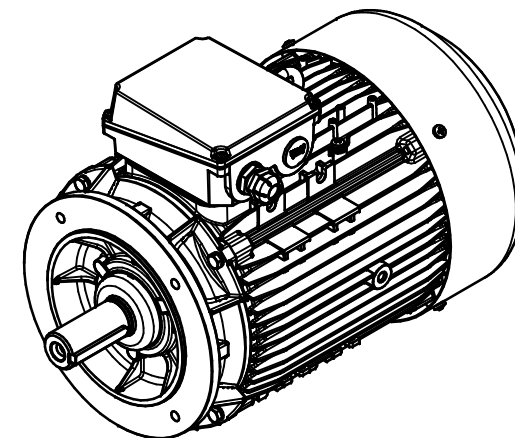
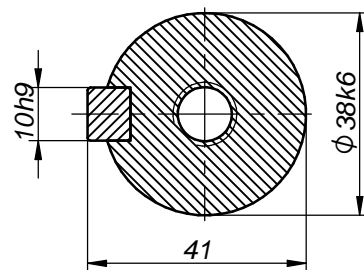


A-A (1:1)





A-A (1:1)



Motor type

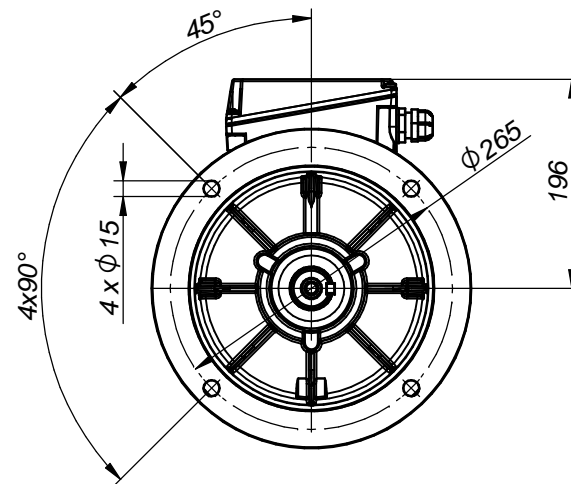
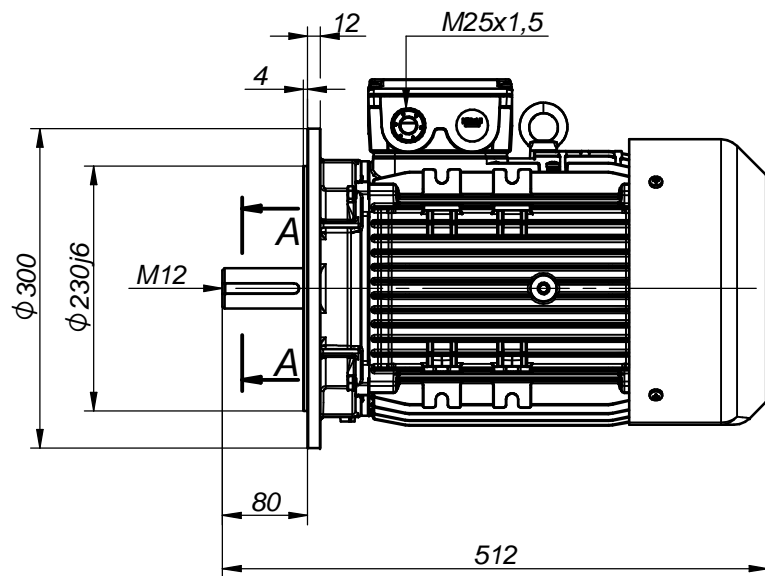
Ex 3SIEK132S,M - 2G,2D,2G&2D - IMB14C1

Drawing no.

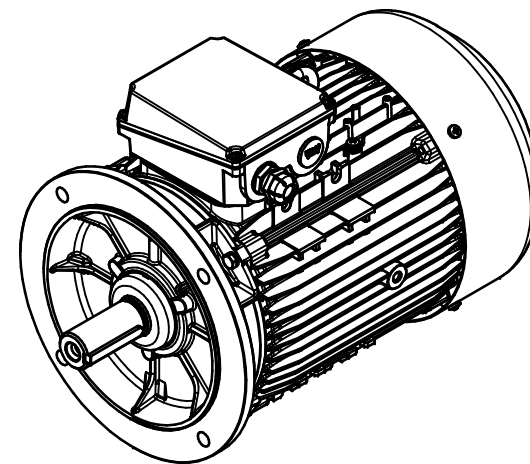
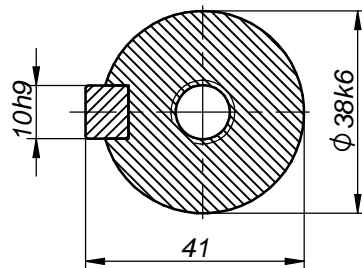
S-186-01-2023

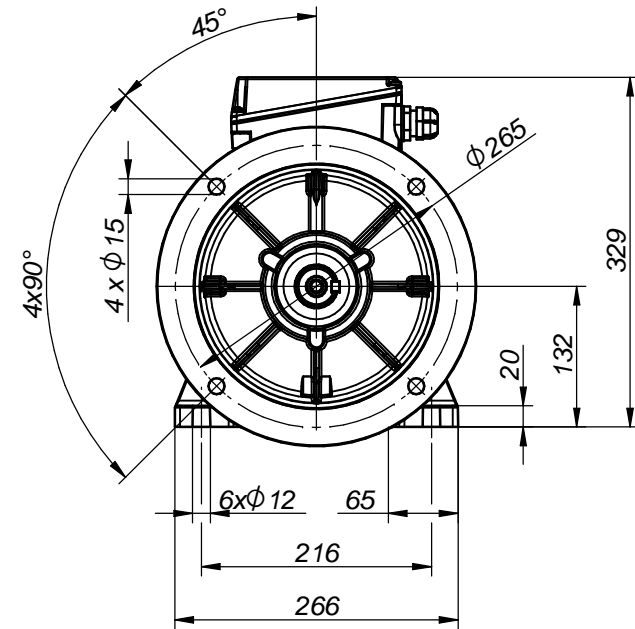
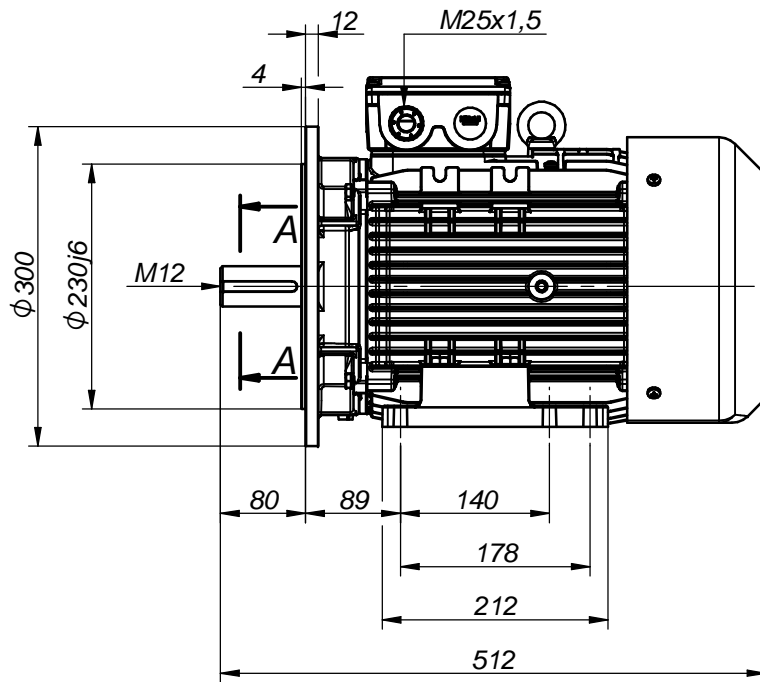
Scale

1:5



A-A (1:1)





A-A (1:1)

