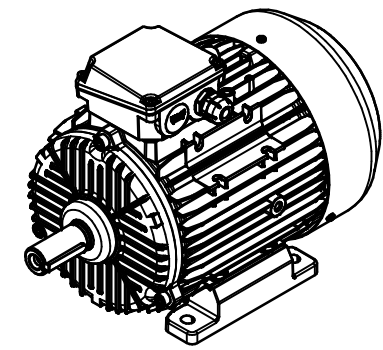
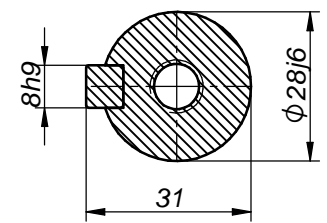


A-A (1:1)



Motor type

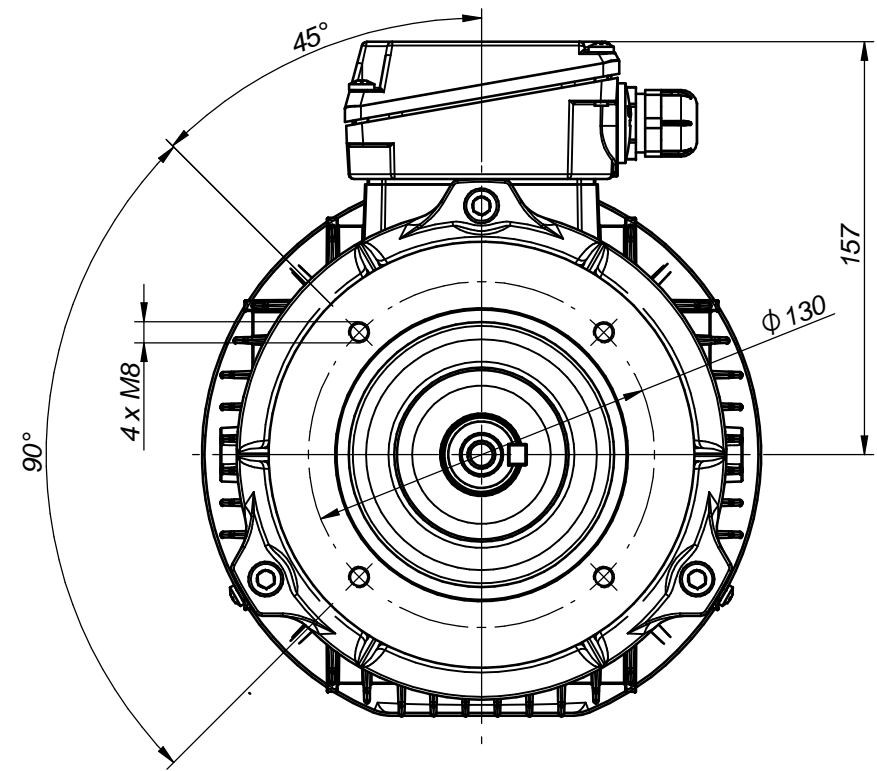
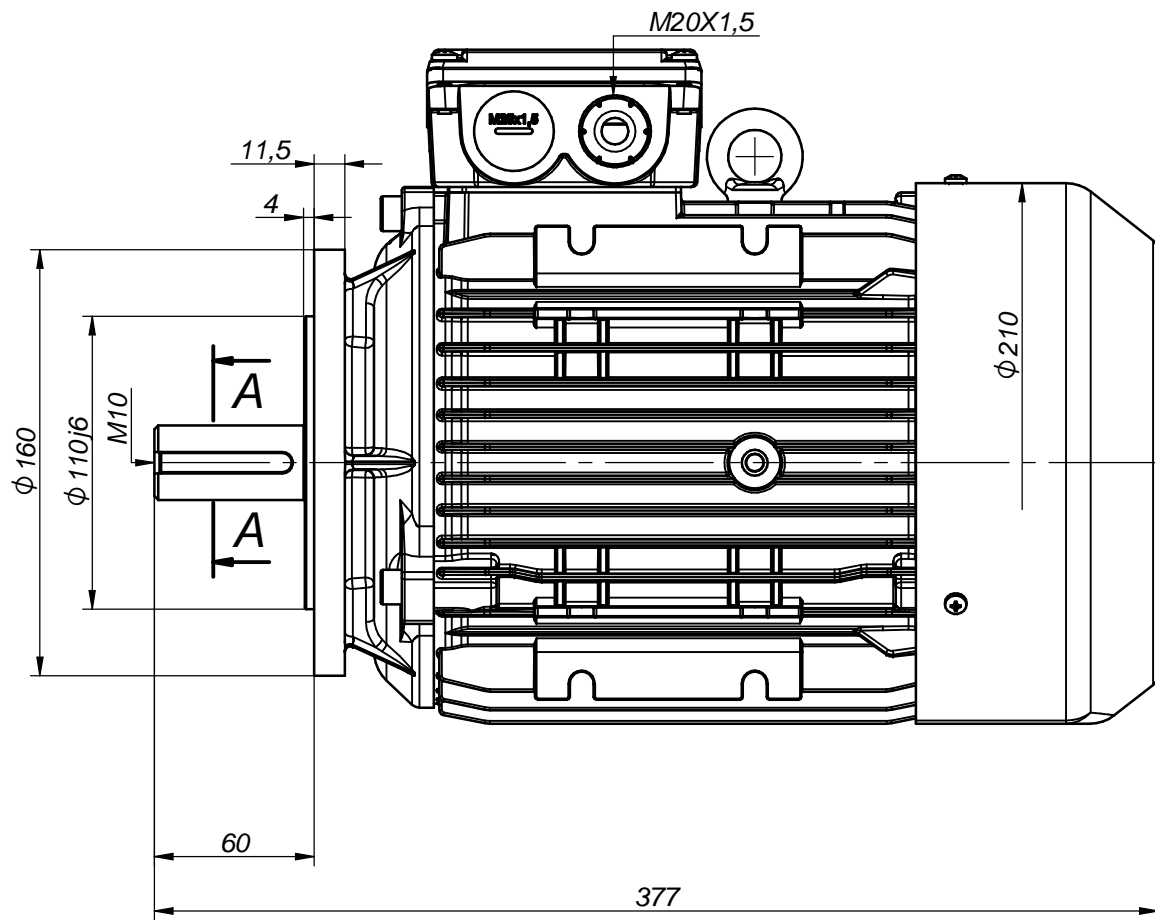
Ex 3SIE100L2,6 – 2G,2D,2G/2D – IMB3

Drawing no.

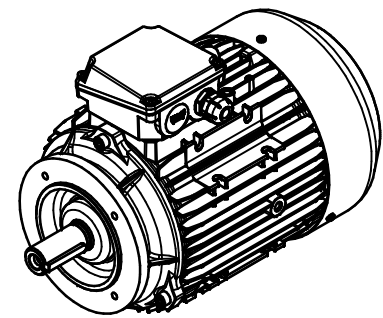
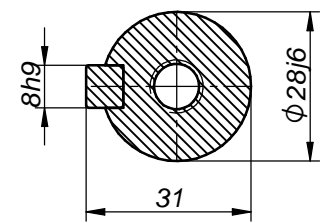
S-145-01-2023

Scale

1:2



A-A (1:1)



Motor type

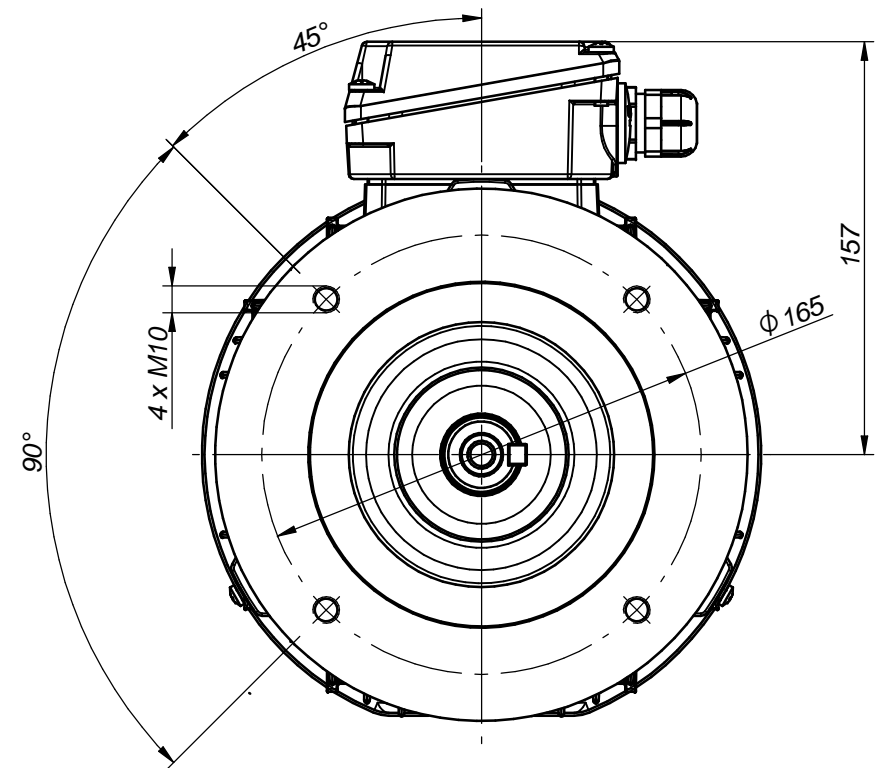
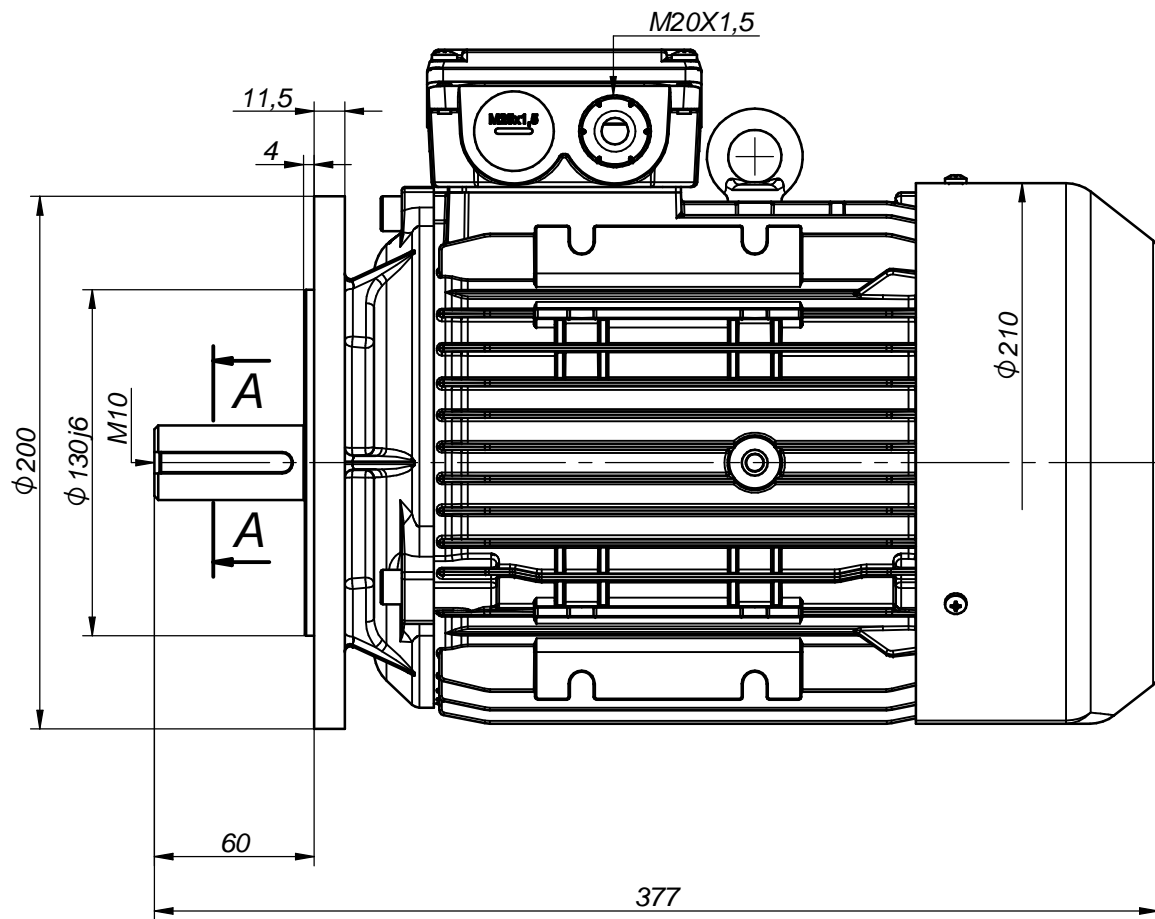
Ex 3SIEK100L2,6 - 2G,2D,2G&2D - IMB14C2

Drawing no.

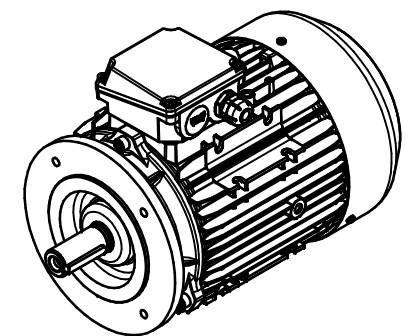
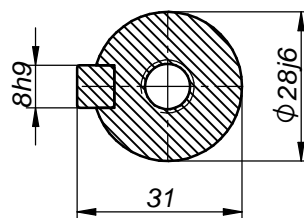
S-179-01-2023

Scale

1:2



A-A (1:1)



Motor type

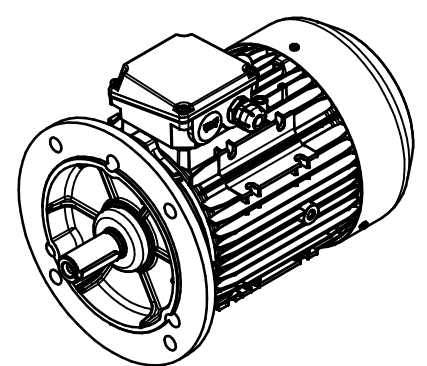
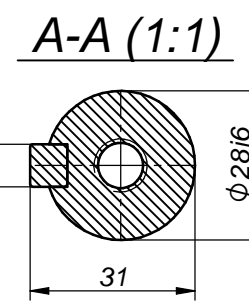
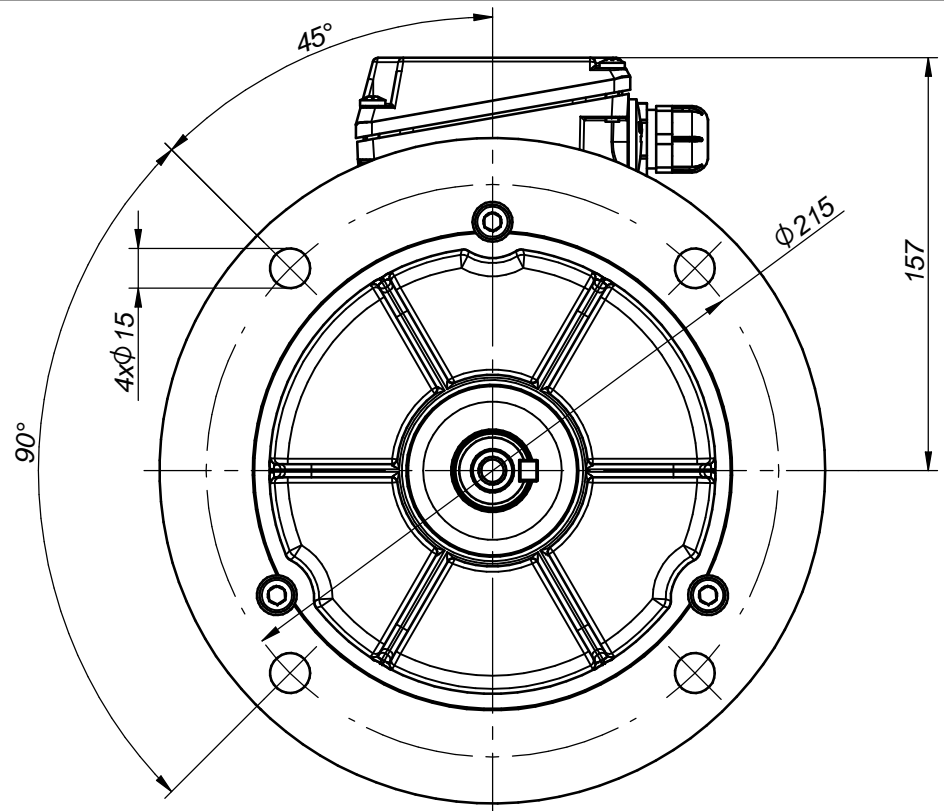
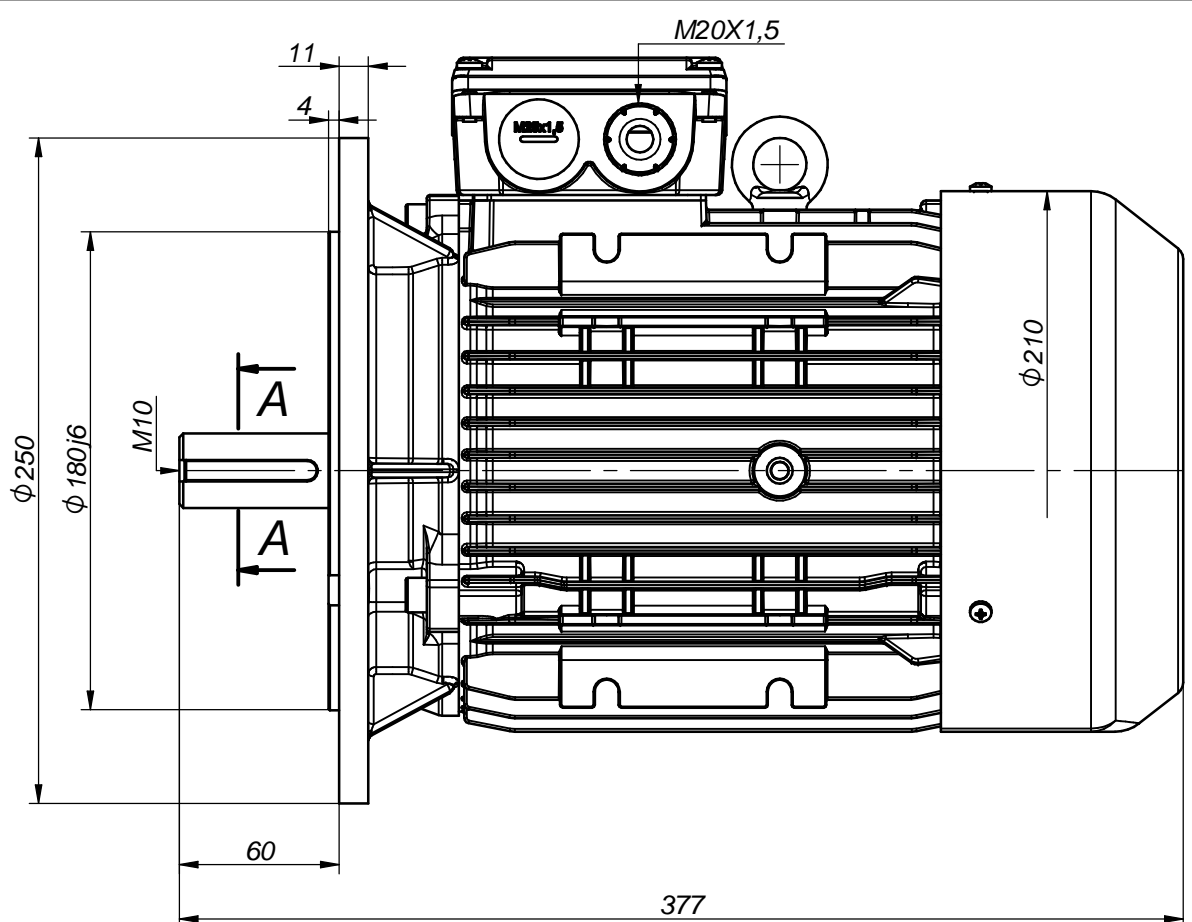
Ex 3SIEK100L2,6 - 2G,2D,2G&2D - IMB14C1

Drawing no.

S-178-01-2023

Scale

1:2



since 1920
CELMA
indukta
 since 1878
Cantoni
 GROUP

Motor type

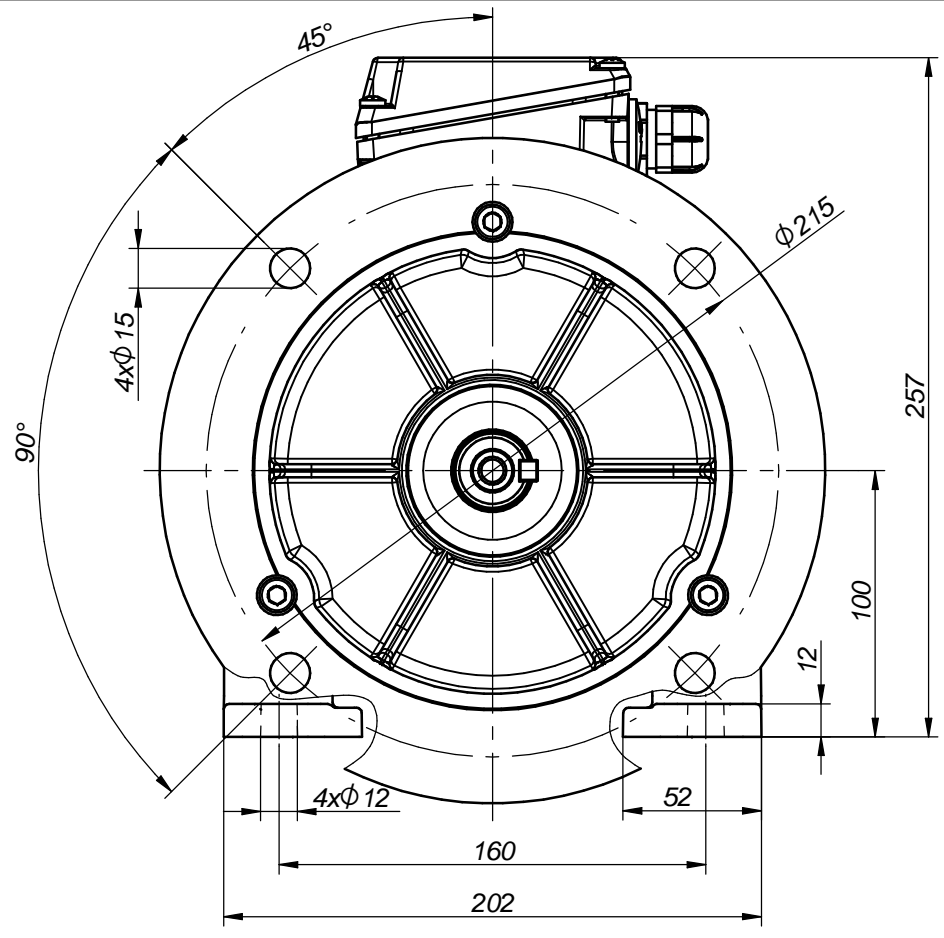
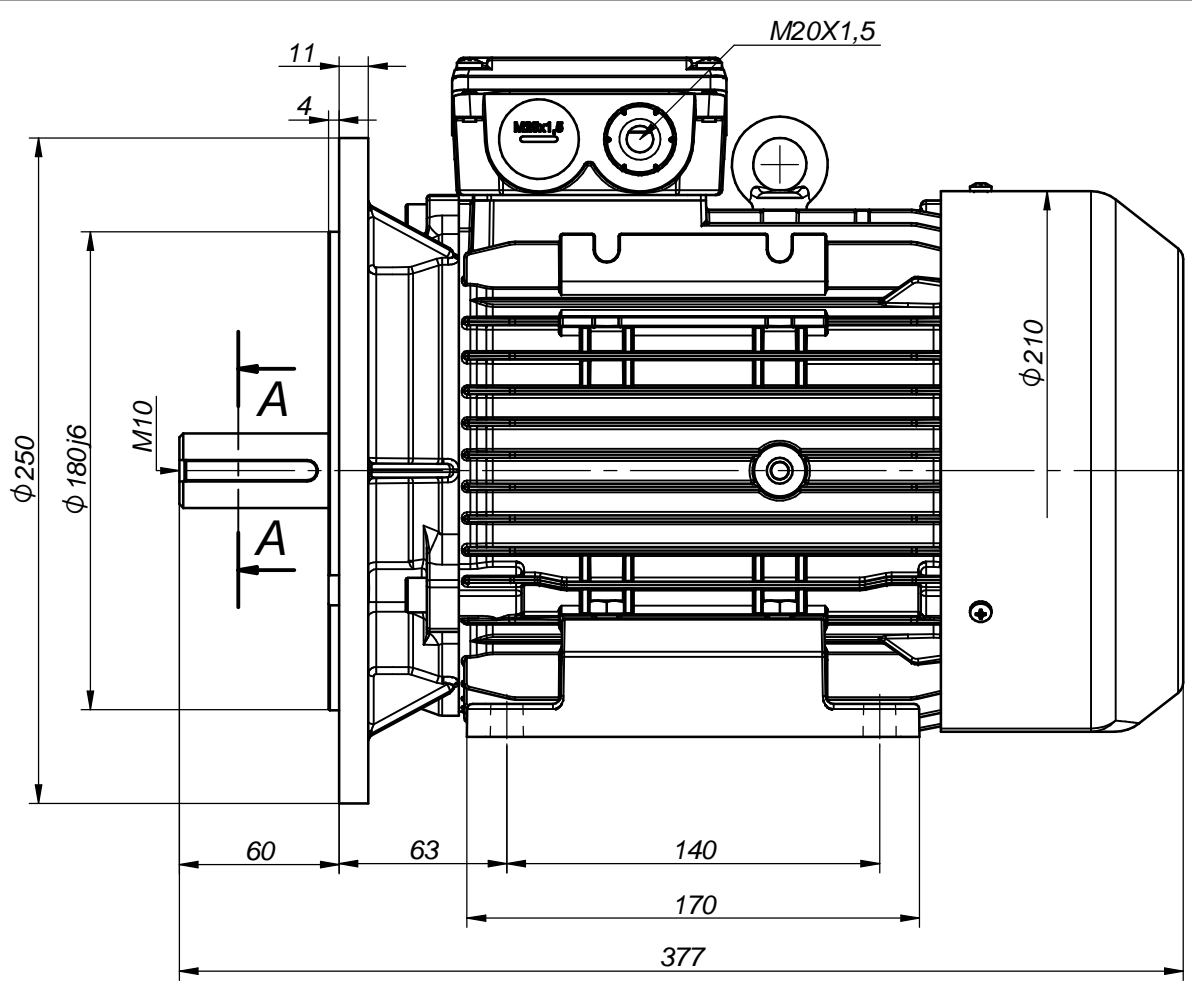
Ex 3SIEK100L2,6 – 2G,2D,2G/2D – IMB5

Drawing no.

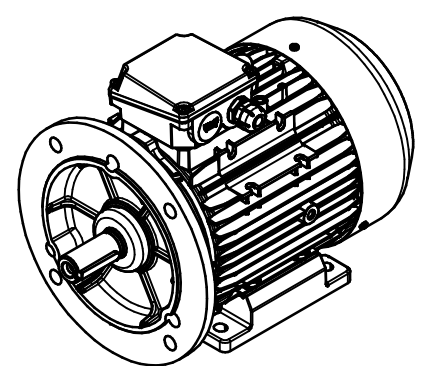
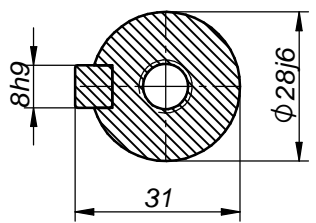
S-154-01-2023

Scale

1:2



A-A (1:1)



Motor type	Ex 3SIEL100L2,6 – 2G,2D,2G/2D – IMB35	
Drawing no.	S-163-01-2023	
Scale	1:2	