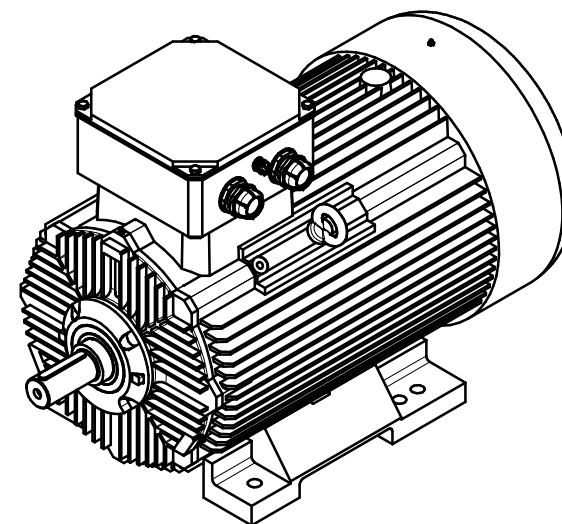
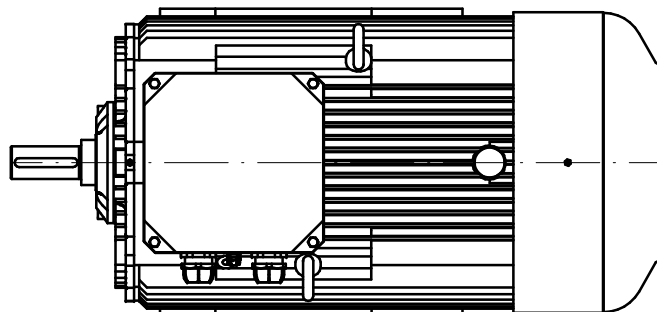
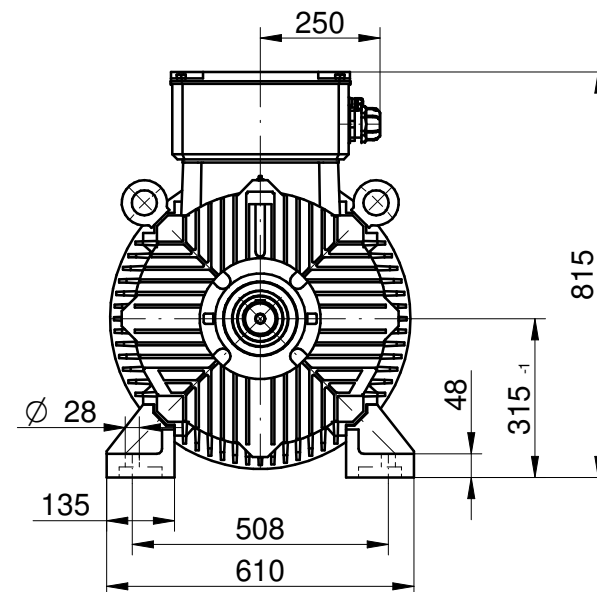
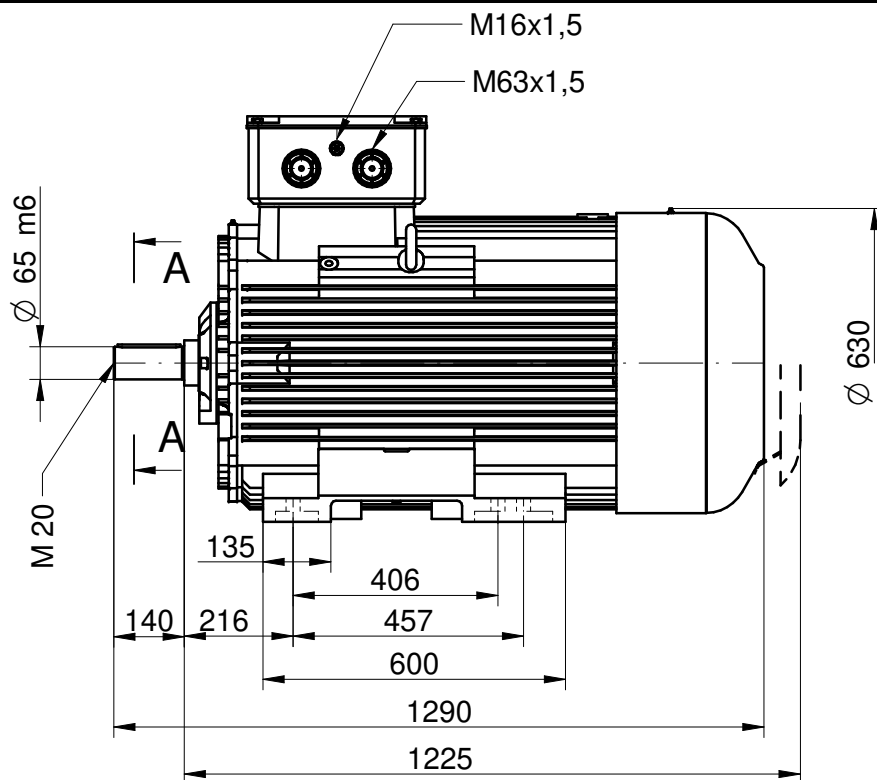
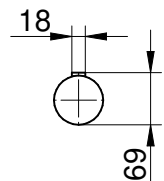


A-A



CELMA
indukta

Cantoni
GROUP

Motor type

4SIE315M2A,M2B

Drawing no.

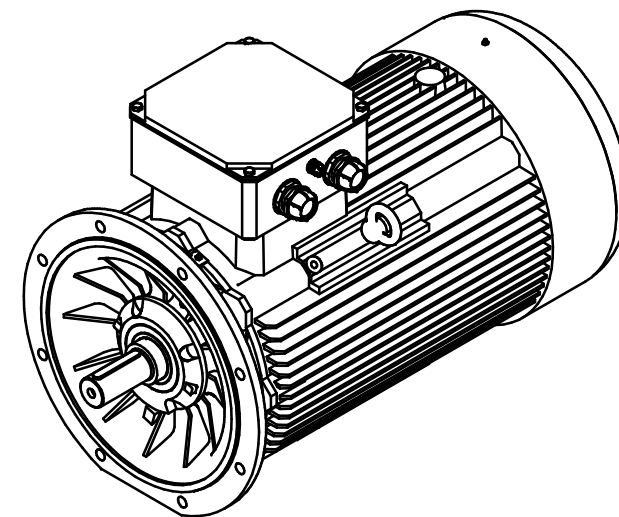
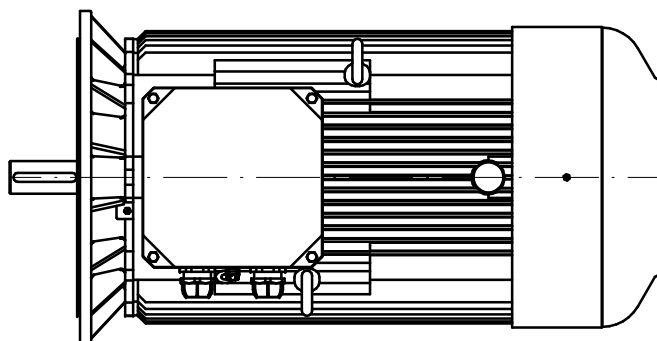
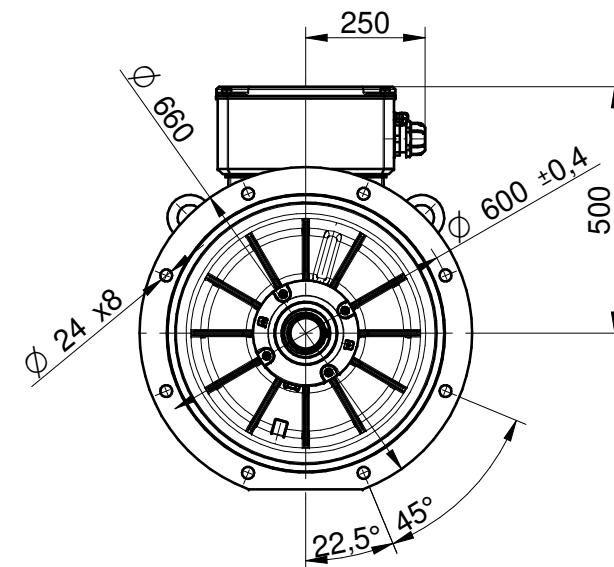
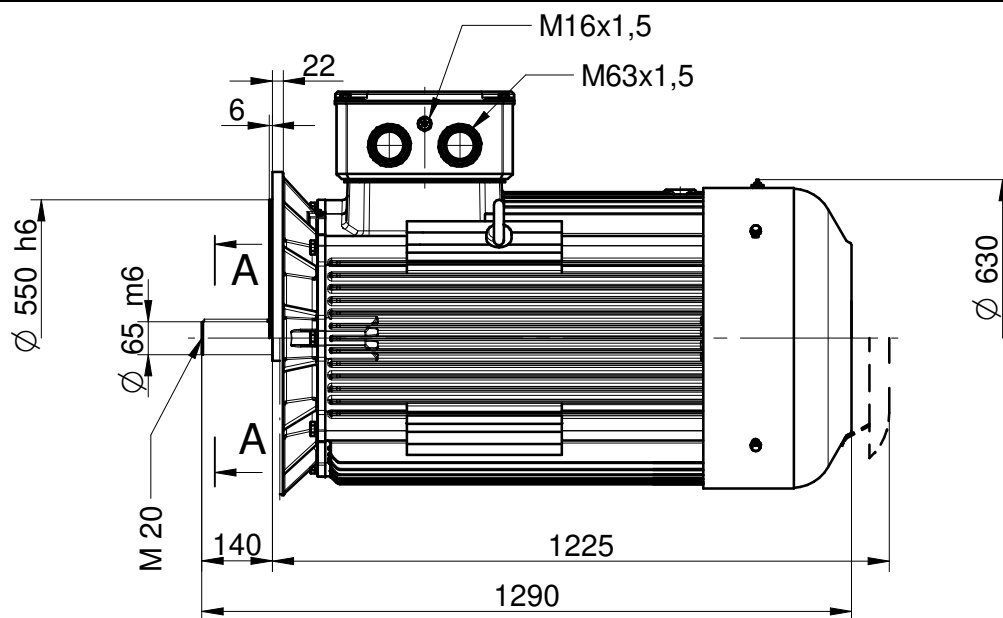
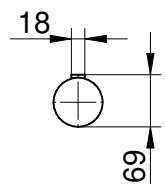
S13-555,556-000

2023-03-21

Scale

1:15

A-A



CELMA
indukta

Cantoni
GROUP

Motor type

4SIEK315M2A,M2B

2023-03-21

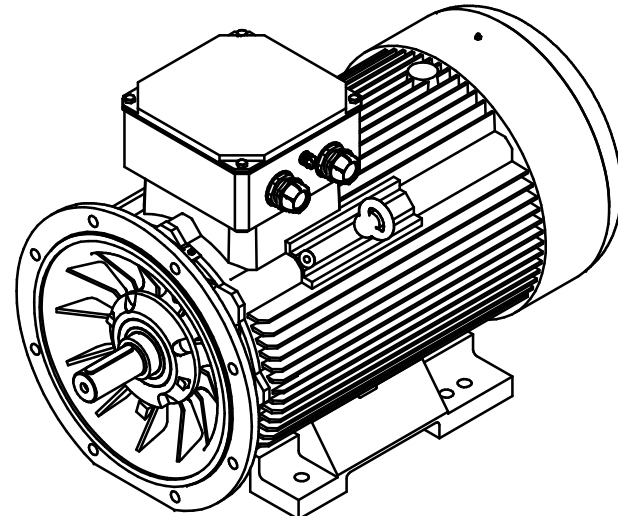
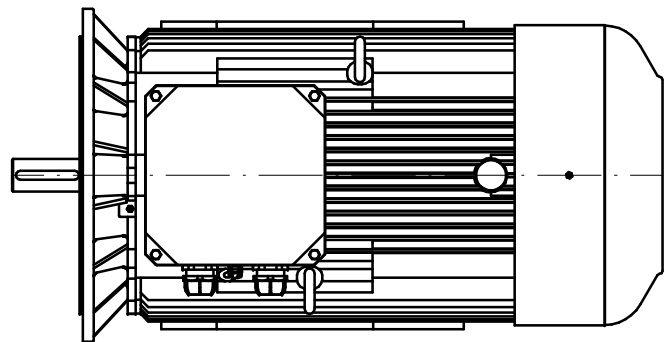
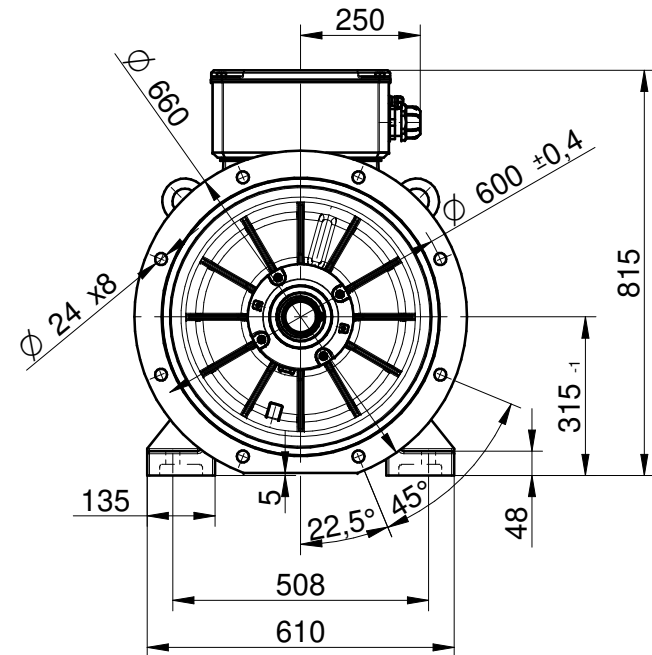
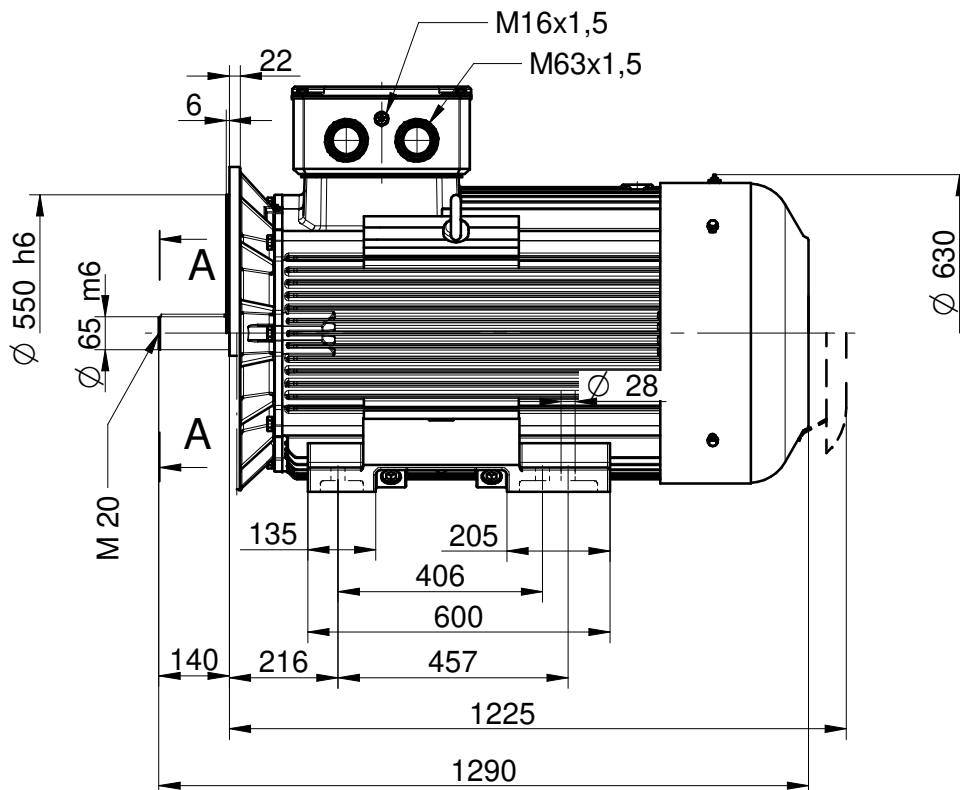
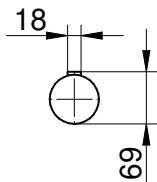
Drawing no.

S13-573,574-000

Scale

1:15

A-A



CELMA
indukta

Cantoni
GROUP

Motor type

4SIEL315M2A,M2B

2023-03-22

Drawing no.

S13-564,565-000

Scale

1:15