

**CELMA**  
indukta

*Cantoni*  
GROUP

Motor type

**4SIE280S,M2**

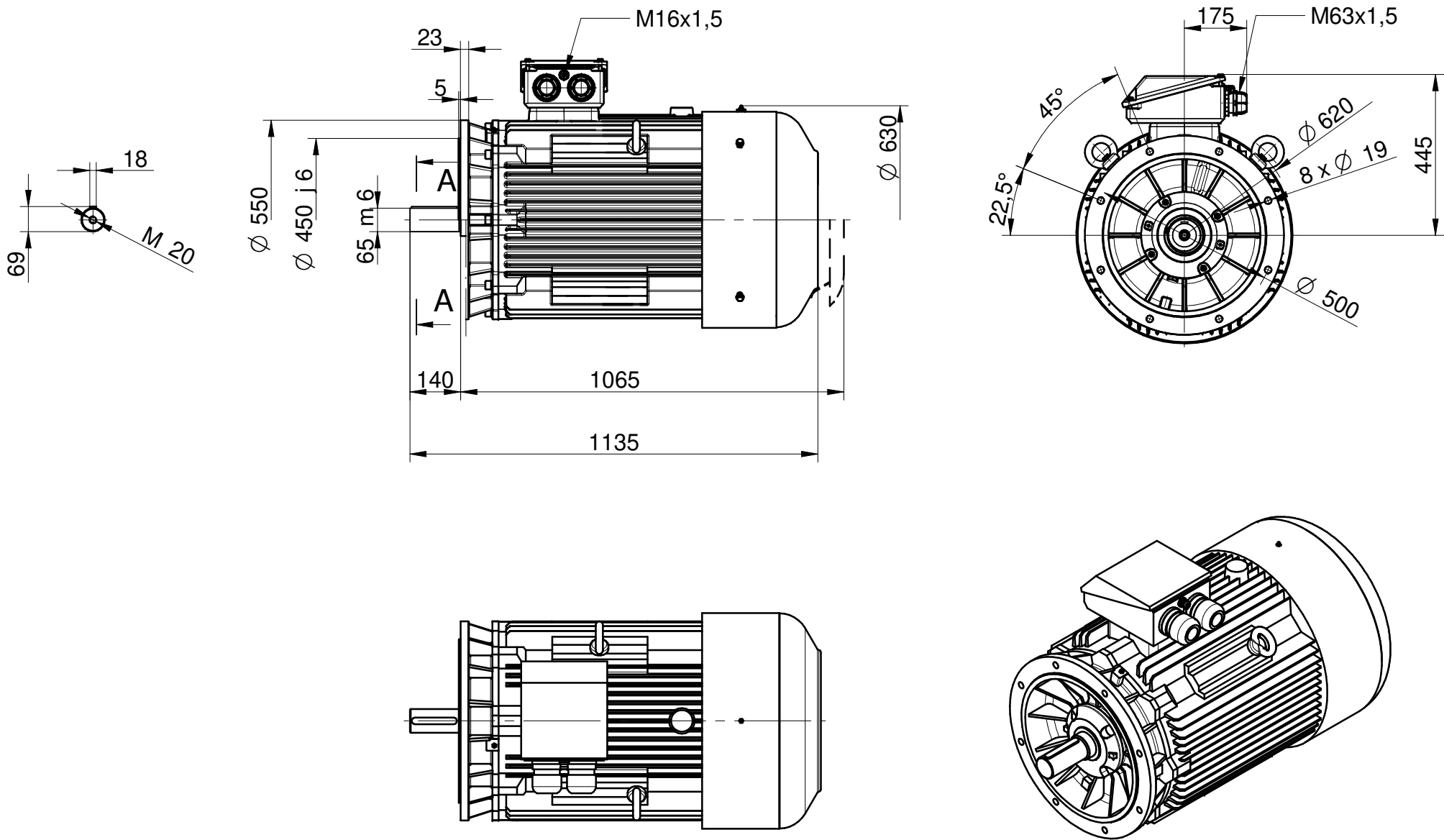
2023-05-15

Drawing no.

**S13-536..537-000**

Scale

**1:15**



**CELMA**  
**indukta**

*Cantoni*  
GROUP

Motor type

**4SIEK280S,M2**

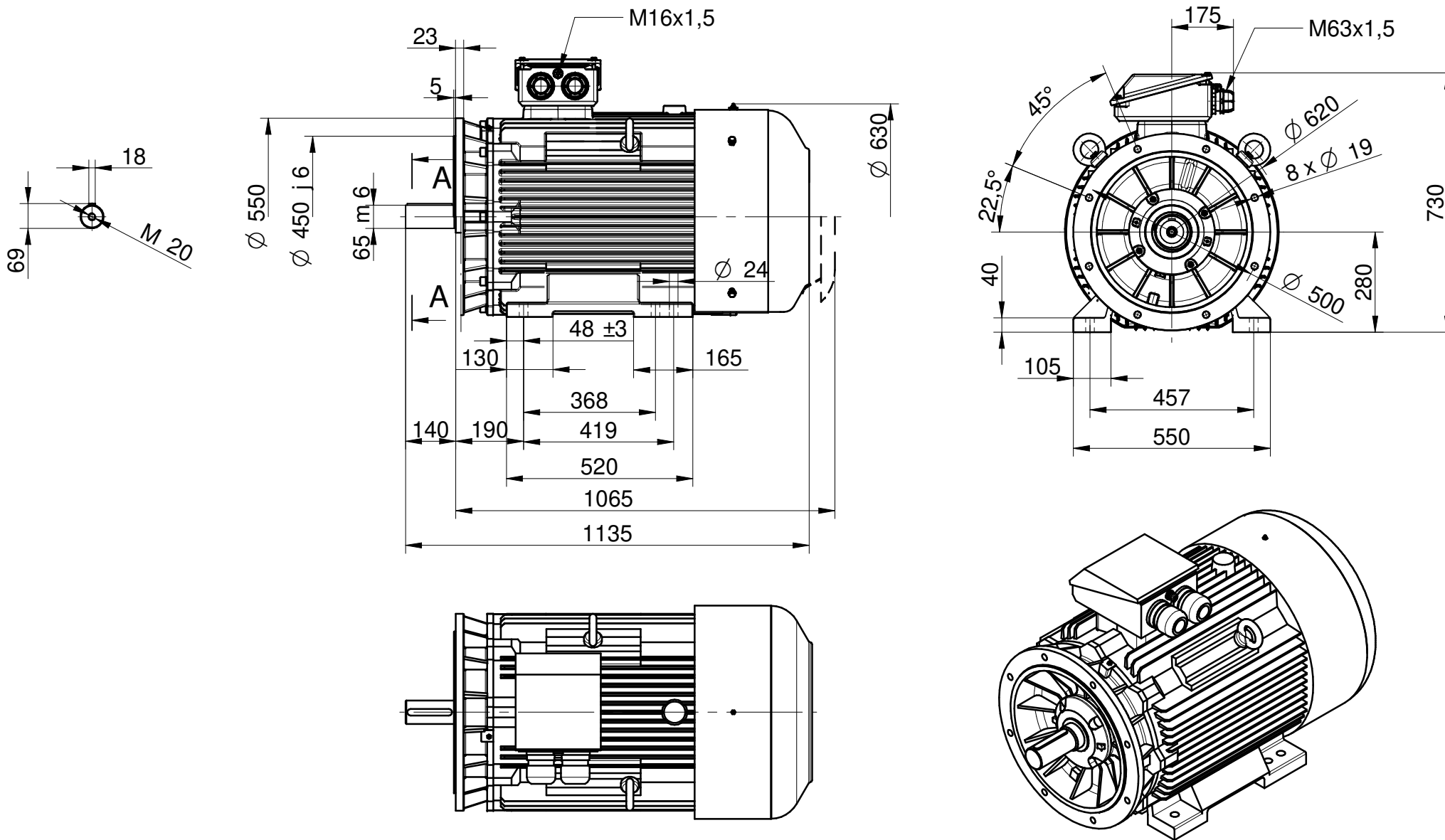
Drawing no.

**S13-548..549-000**

2023-05-15

Scale

**1:15**



**CELMA**  
indukta

*Cantoni*  
GROUP

Motor type

**4SIEL280S,M2**

2023-05-15

Drawing no.

**S13-542..543-000**

Scale

**1:15**