

CELMA
indukta

Cantoni
GROUP

Motor type

4SIE250M4-6

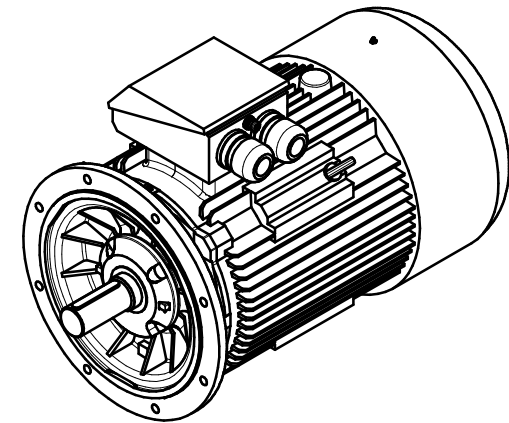
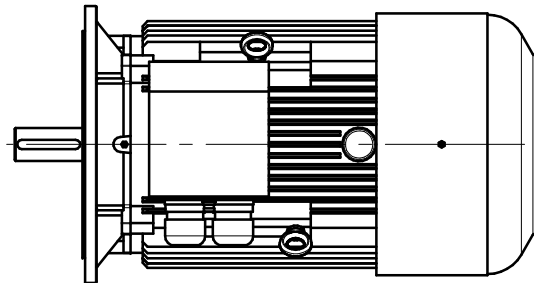
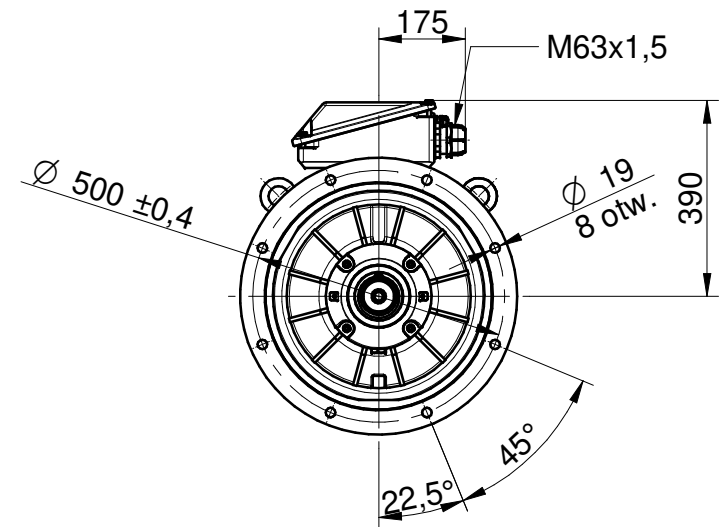
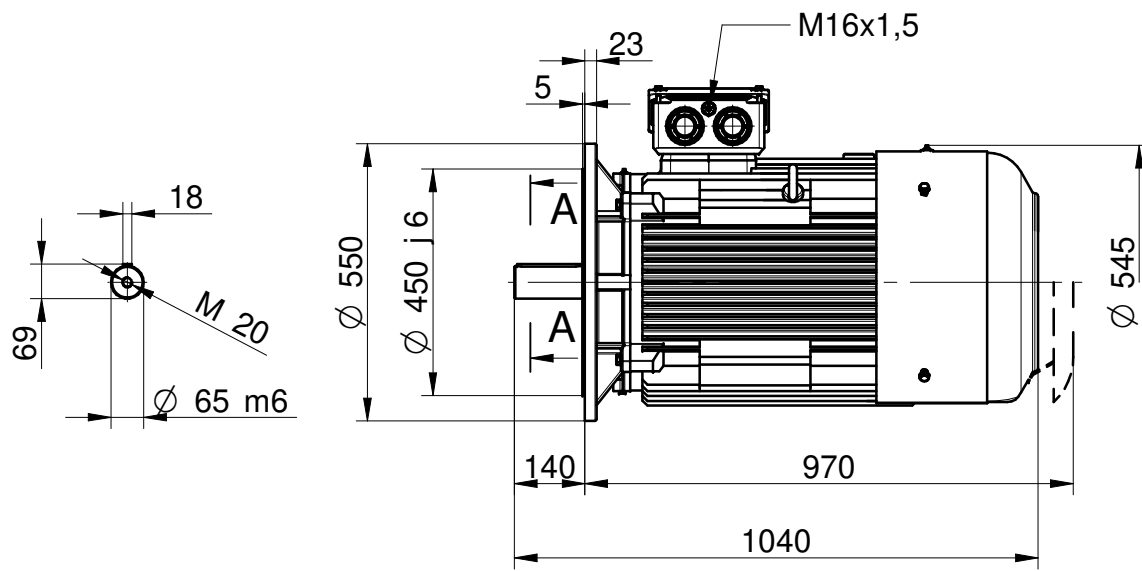
2023-05-08

Drawing no.

S13-528...659-000

Scale

1:15



CELMA
indukta

Cantoni
GROUP

Motor type

4SIEK250M4-6

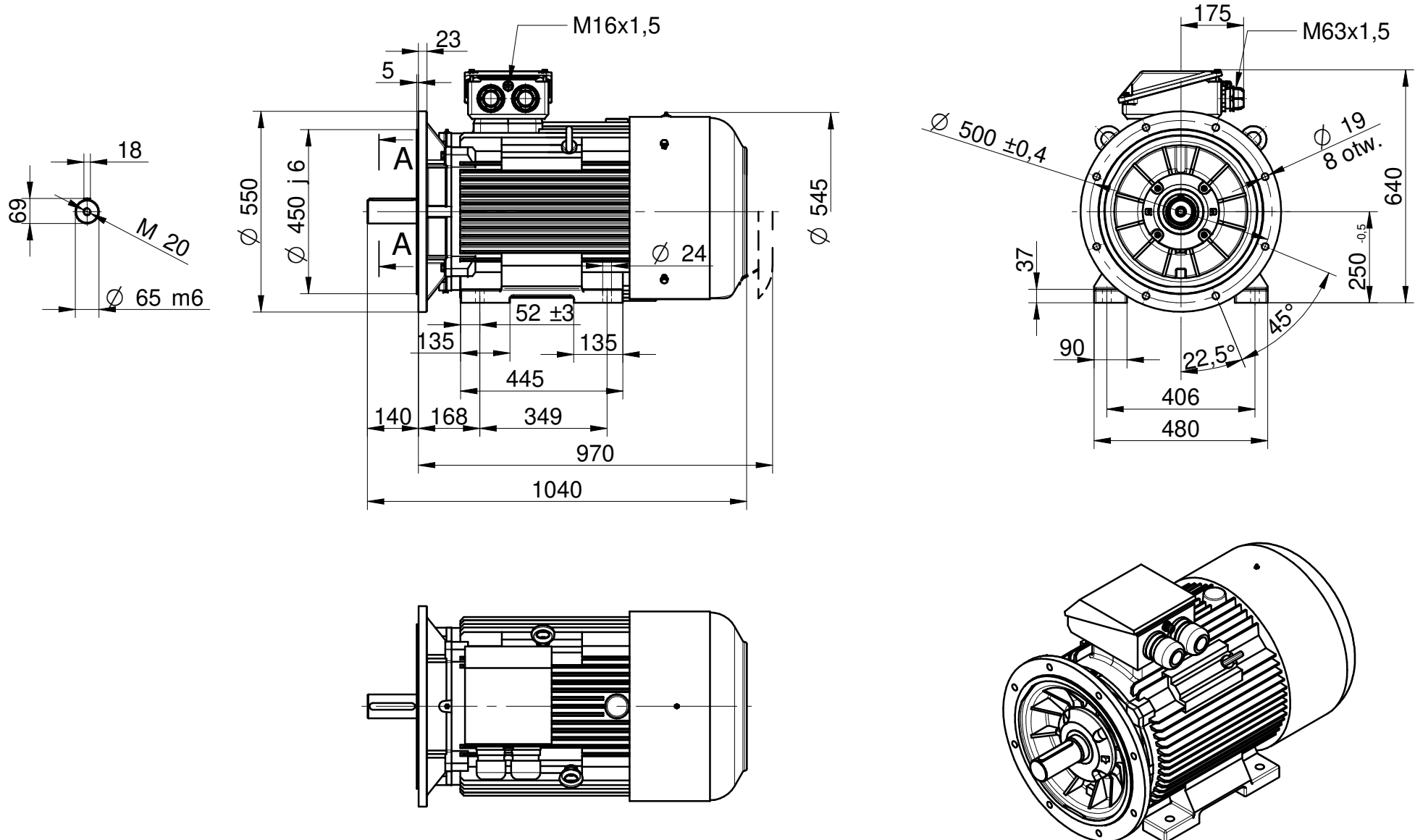
2023-05-08

Drawing no.

S13-534..661-000

Scale

1:15



CELMA
indukta

Cantoni
GROUP

Motor type

4SIEL250M4-6

2023-05-08

Drawing no.

S13-531...660-000

Scale

1:15