

CELMA
indukta

Cantoni®
GROUP

Motor type

4SIE225M2

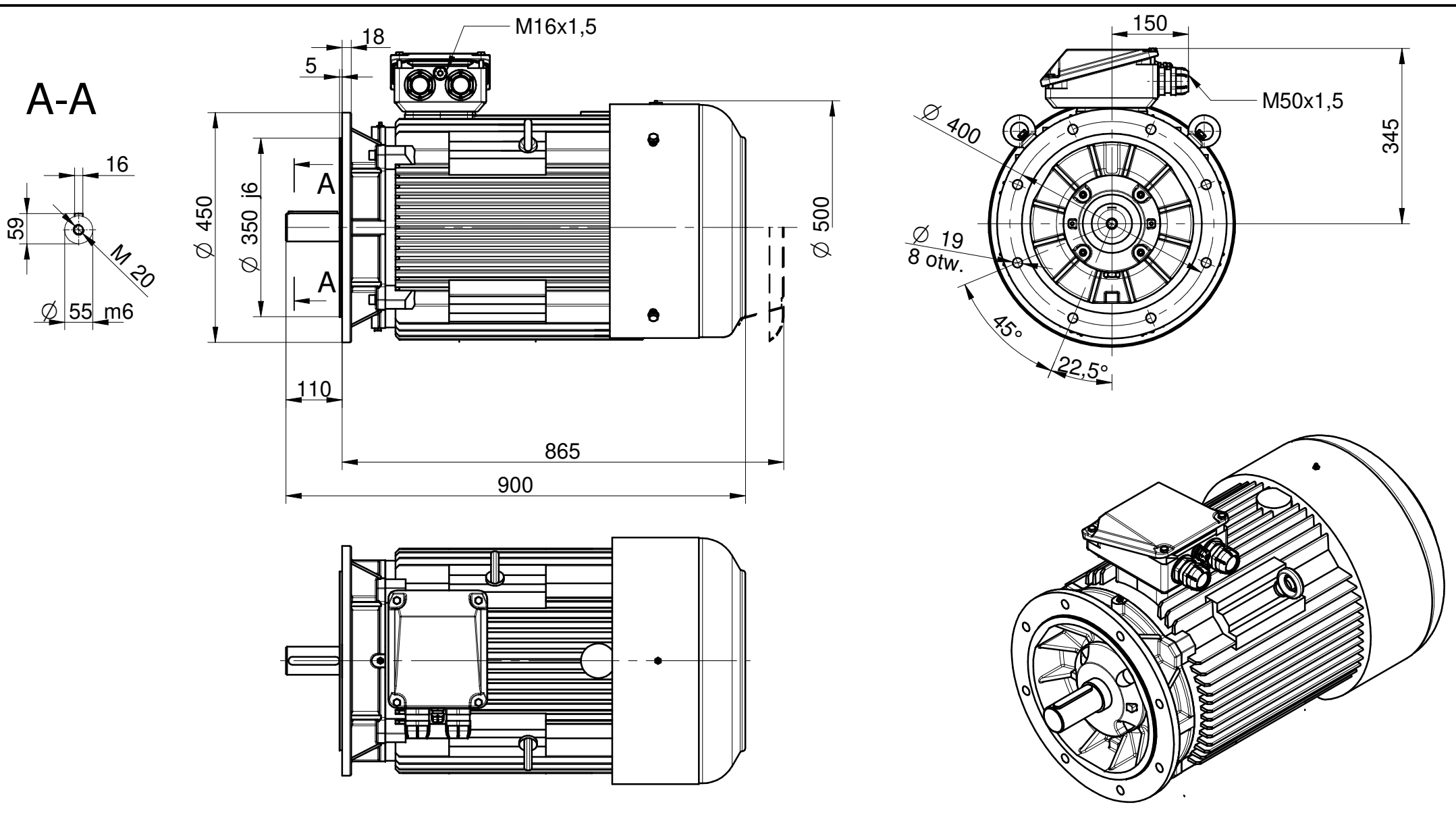
Drawing no.

S13-515-000

2023-05-15

Scale

1:10



CELMA
indukta

Cantoni®
GROUP

Motor type

4SIEK225M2

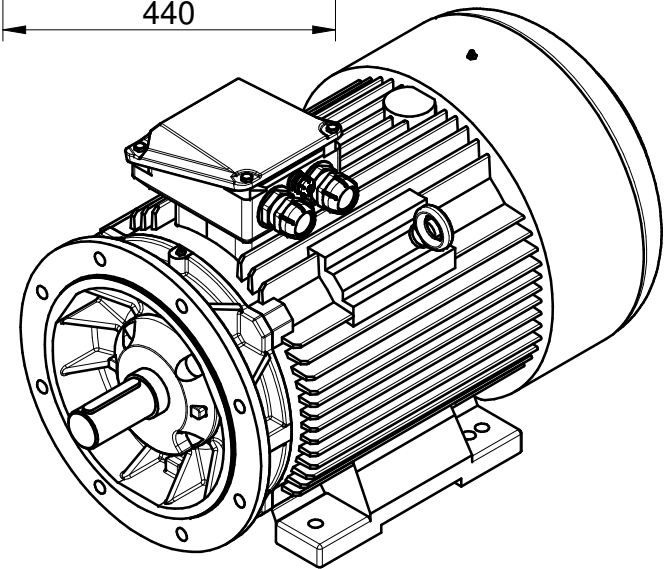
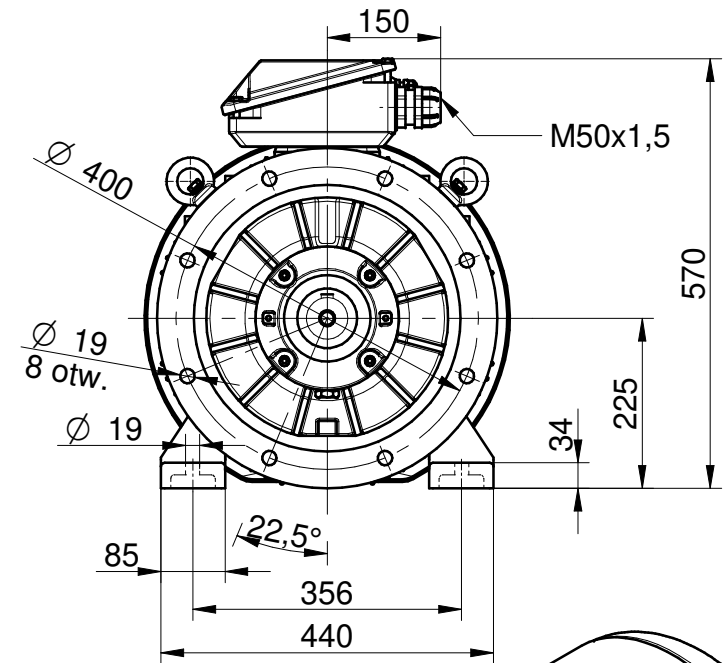
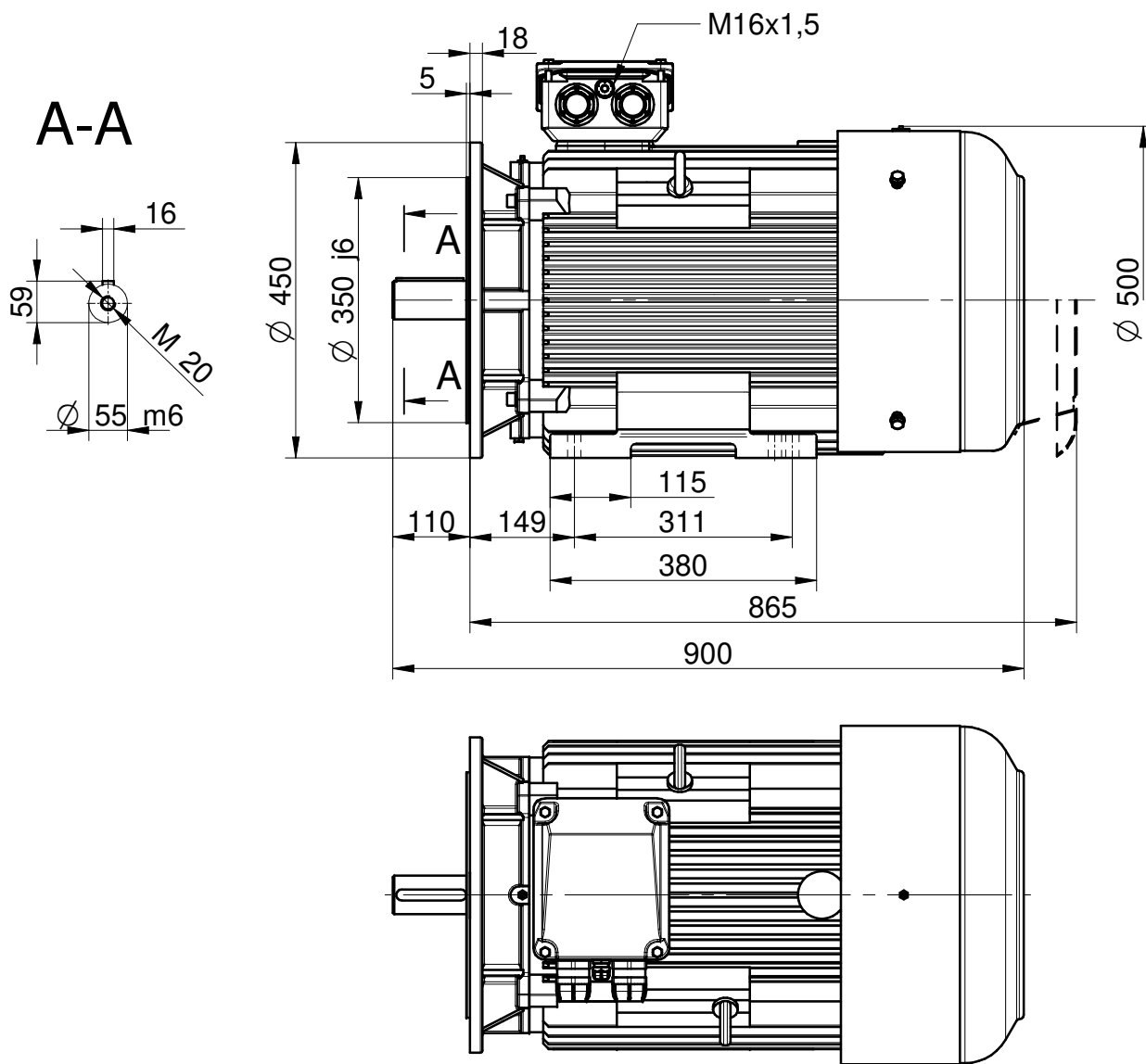
Drawing no.

S13-523-000

2023-05-15

Scale

1:10



CELMA
indukta

Cantoni
GROUP

Motor type

4SIEL225M2

Drawing no.

S13-519-000

2023-05-15

Scale

1:10