

CELMA
indukta

Cantoni
GROUP

Motor type

3SIE250M4-8

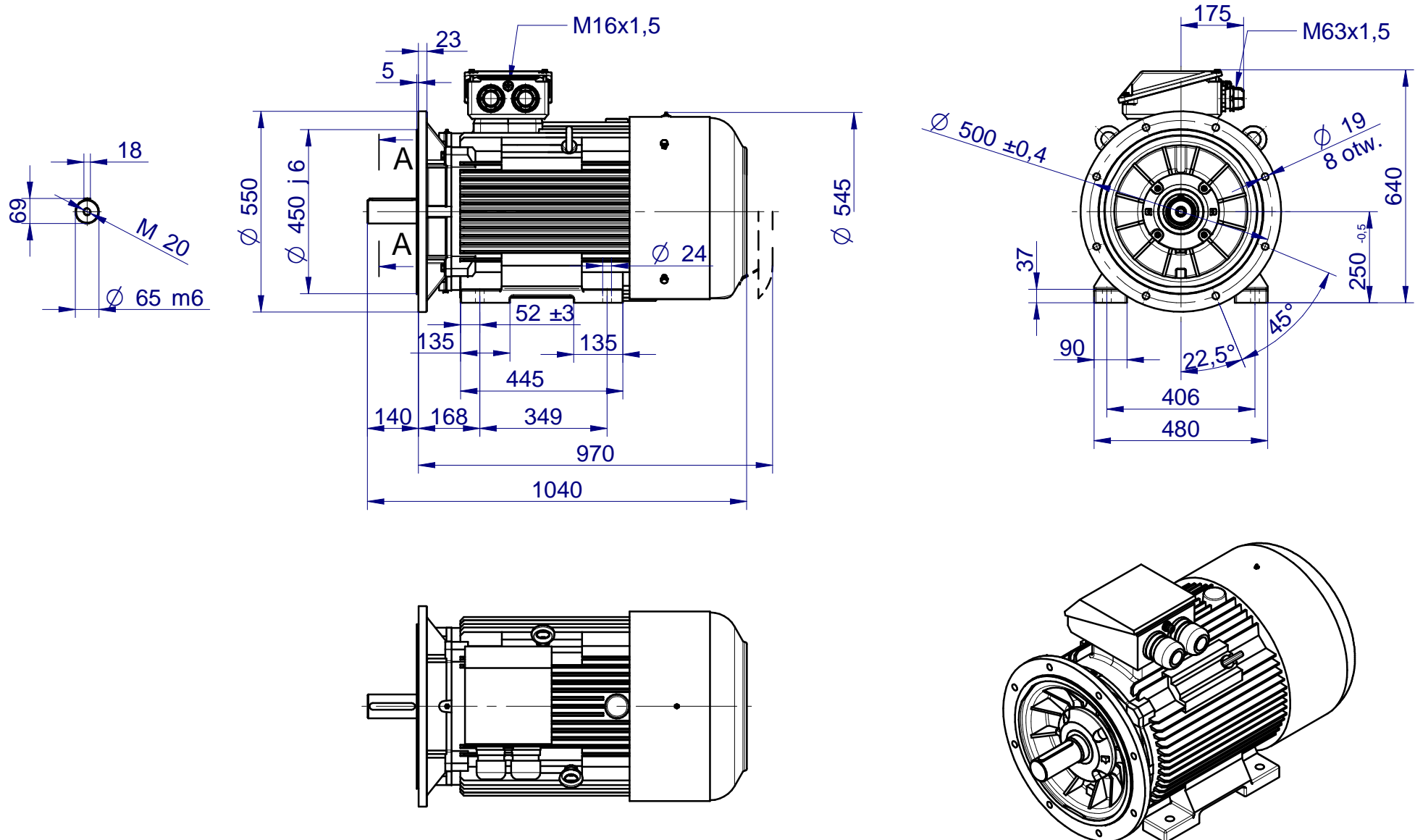
Drawing no.

S09-528...659-000

2021-04-12

Scale

1:15



CELMA
indukta

Cantoni
GROUP

Motor type

3SIEL250 M4-8

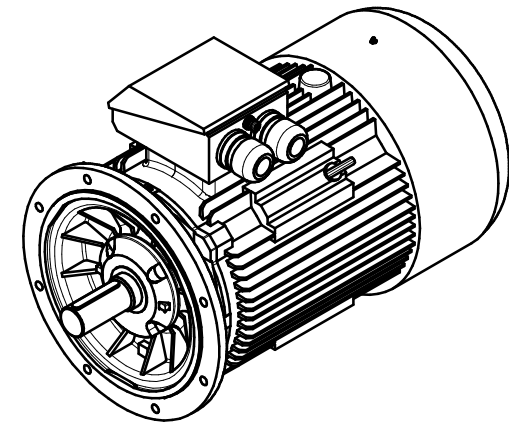
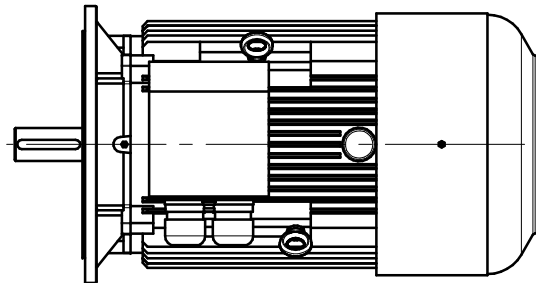
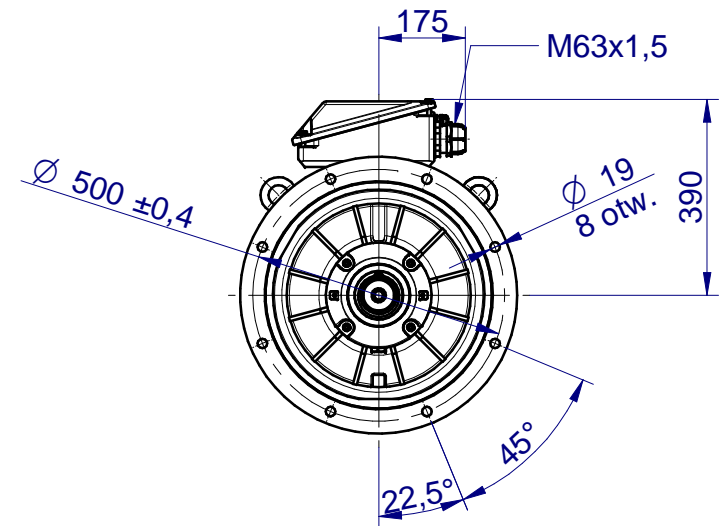
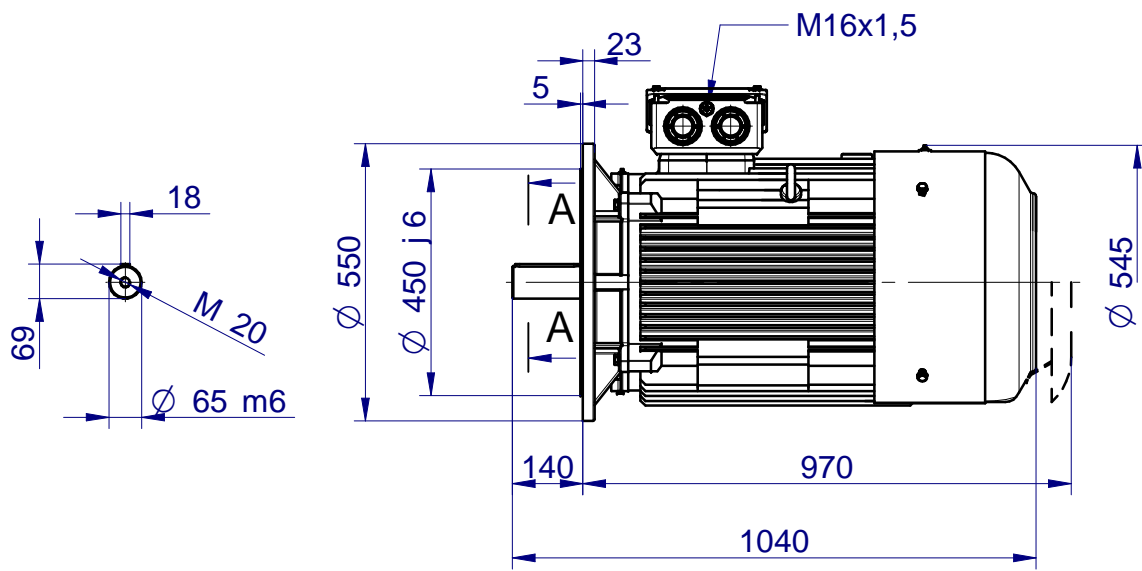
2021-04-12

Drawing no.

S09-531...660-000

Scale

1:15



CELMA
indukta

Cantoni
GROUP

Motor type

3SIEK250M4-8

2021-04-12

Drawing no.

S09-534..661-000

Scale

1:15