

Motor type

3SIE160M-B3

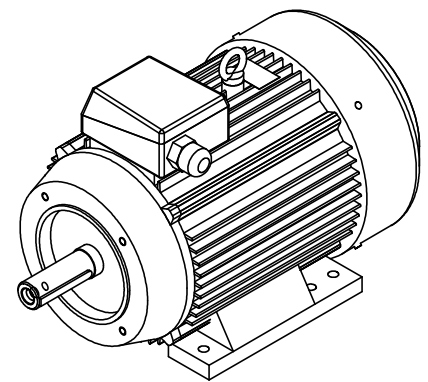
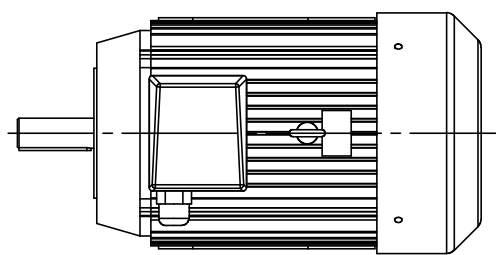
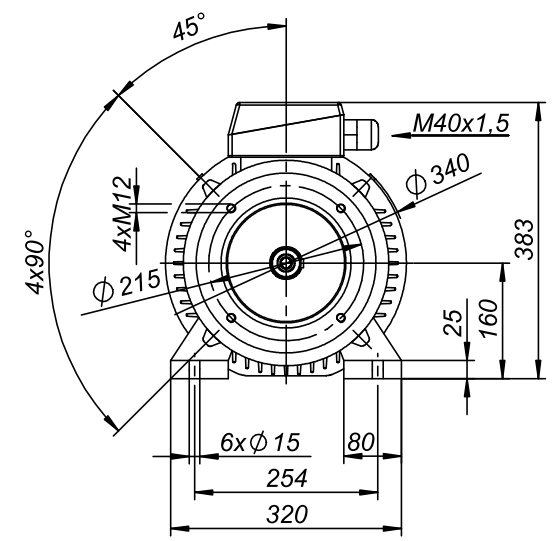
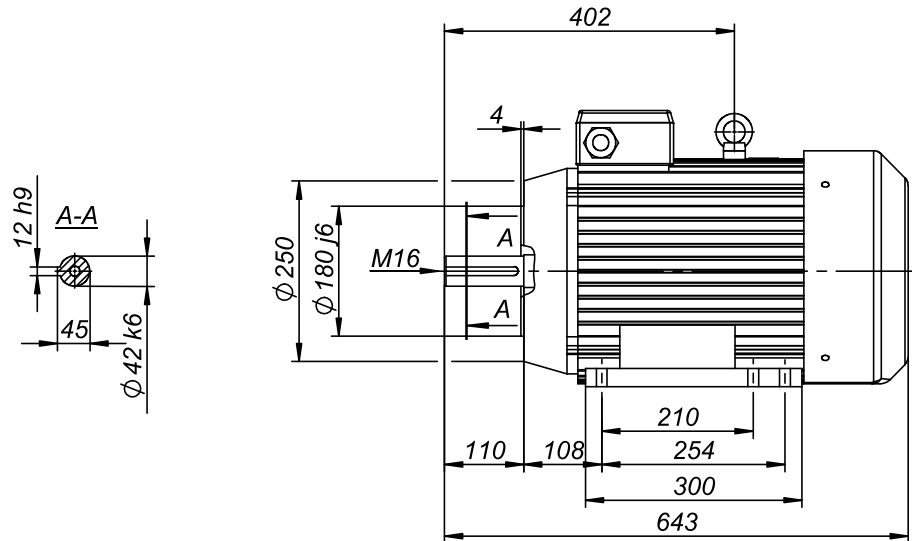


Drawing no.

S-1435-01-2014

Scale

1:10



Motor type

3SIEL160M-B34-C2

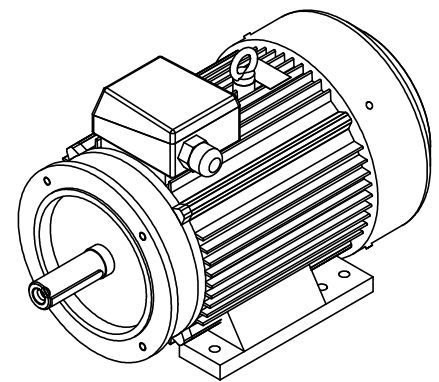
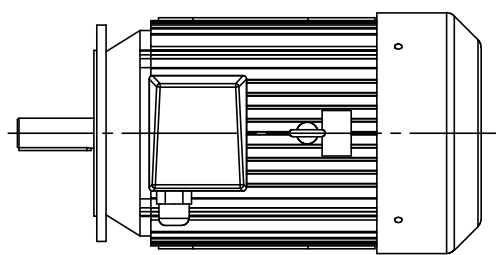
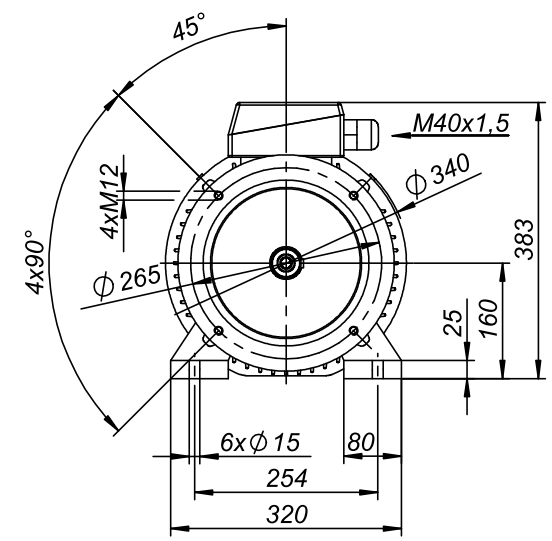
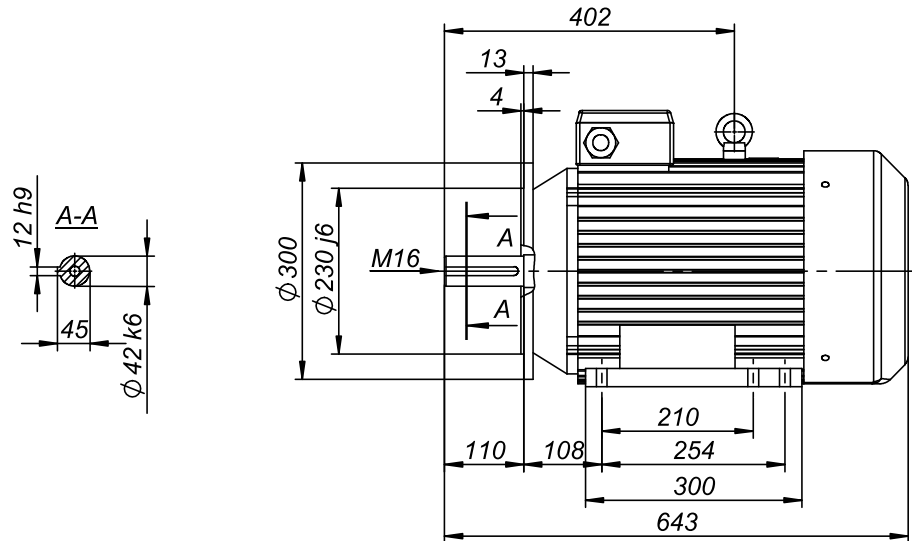
Drawing no.

S-1499-01-2014

Scale

1:10





CELMA
indukta

Motor type

3SIEL160M-B34-C1

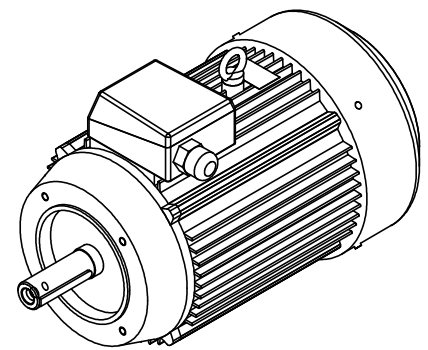
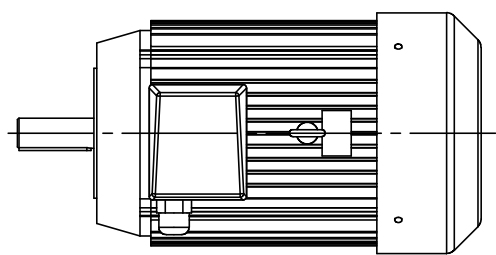
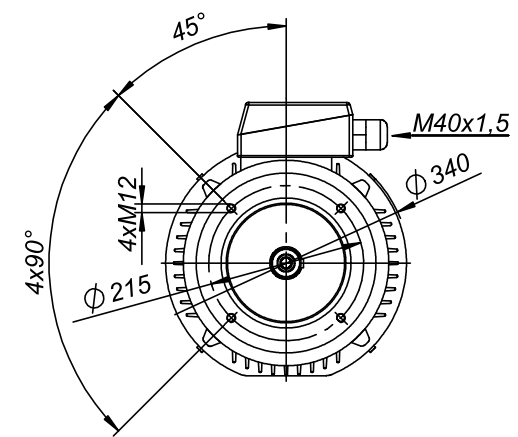
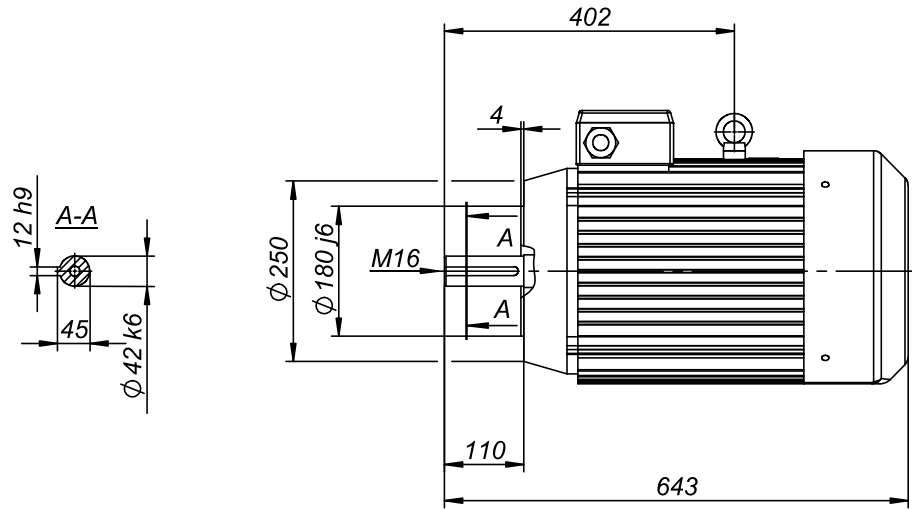
Cantoni[®]
GROUP

Drawing no.

S-1498-01-2014

Scale

1:10



Motor type

3SIEK160M;L-B14-C2

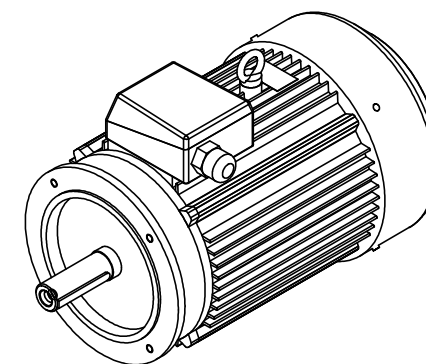
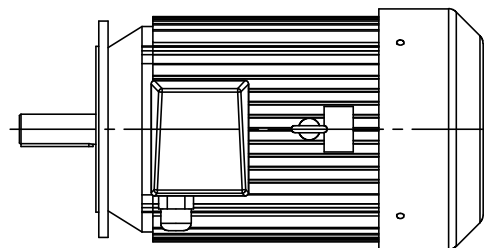
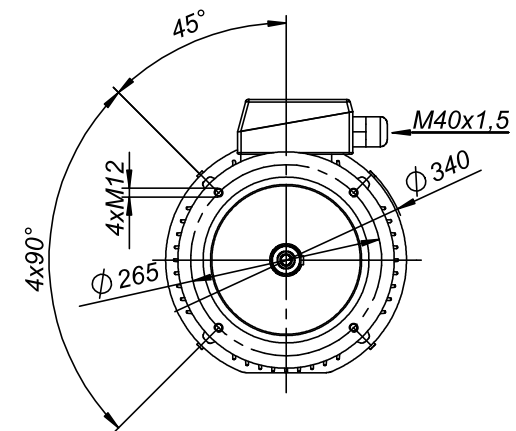
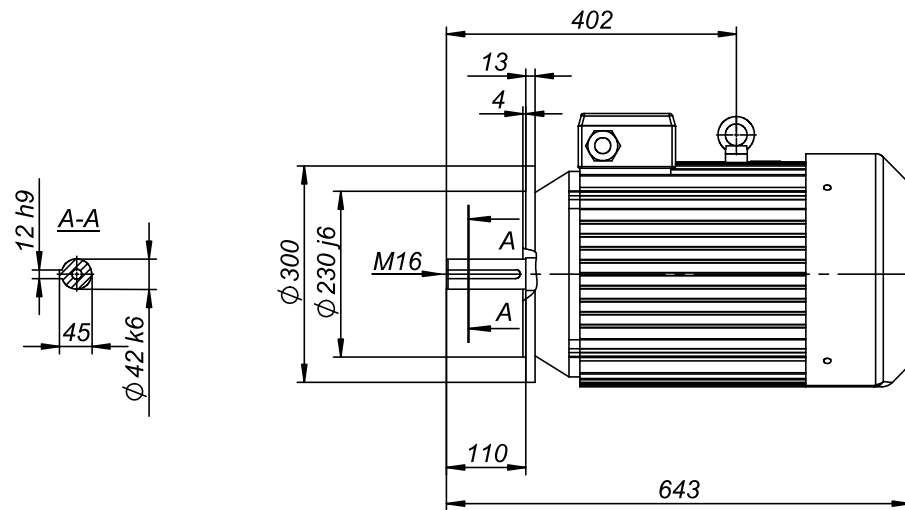


Drawing no.

S-1493-01-2014

Scale

1:10



CELMA
indukta

Motor type

3SIEK160M;L-B14-C1

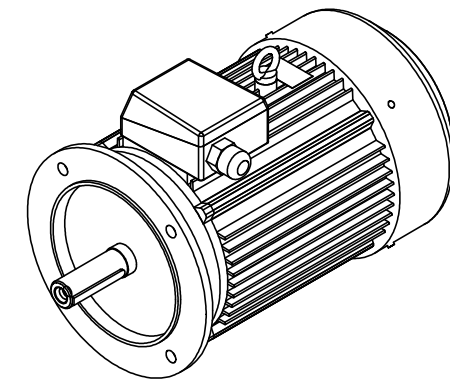
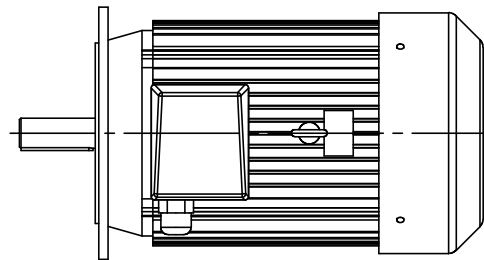
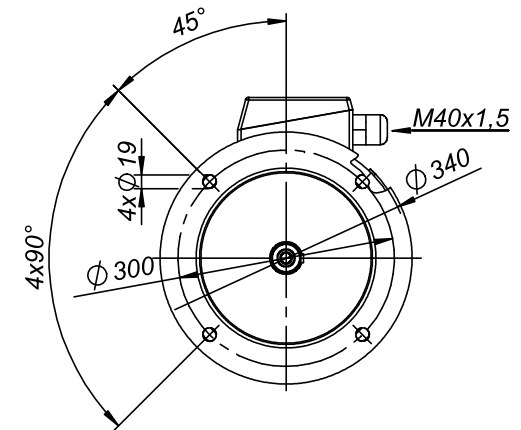
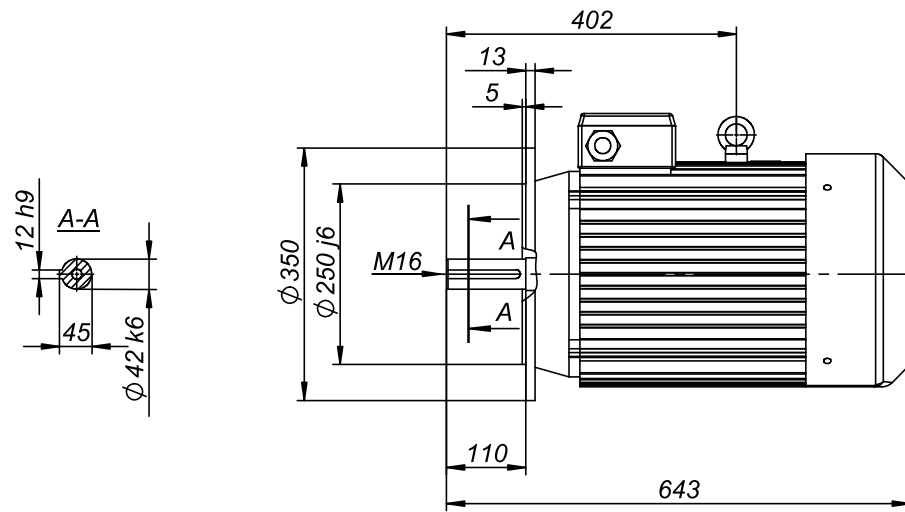
Drawing no.

S-1492-01-2014

Scale

1:10

Cantoni[®]
GROUP



CELMA
indukta

Motor type

3SIEK160M;L-B5

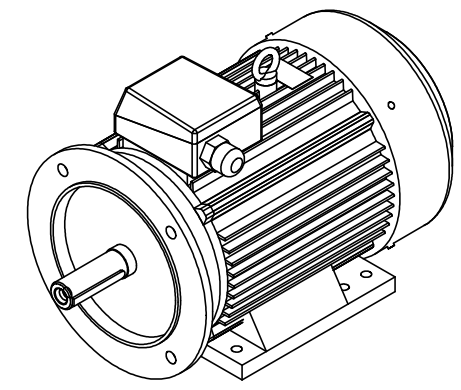
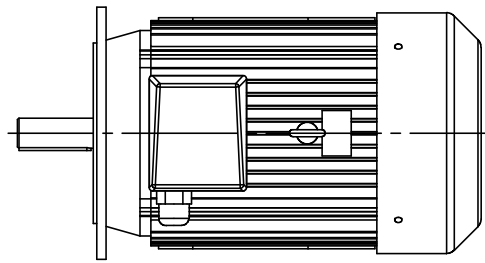
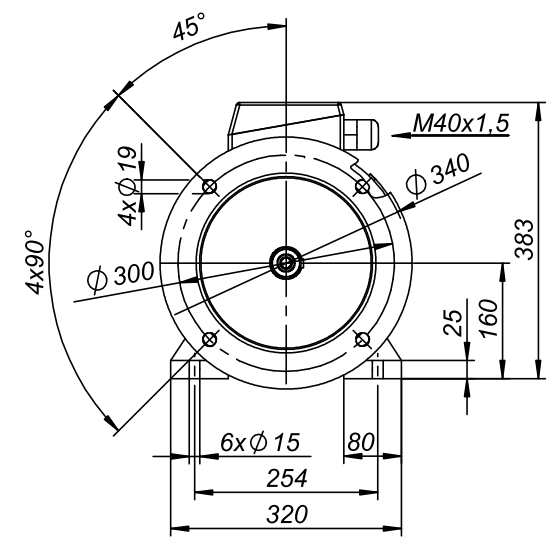
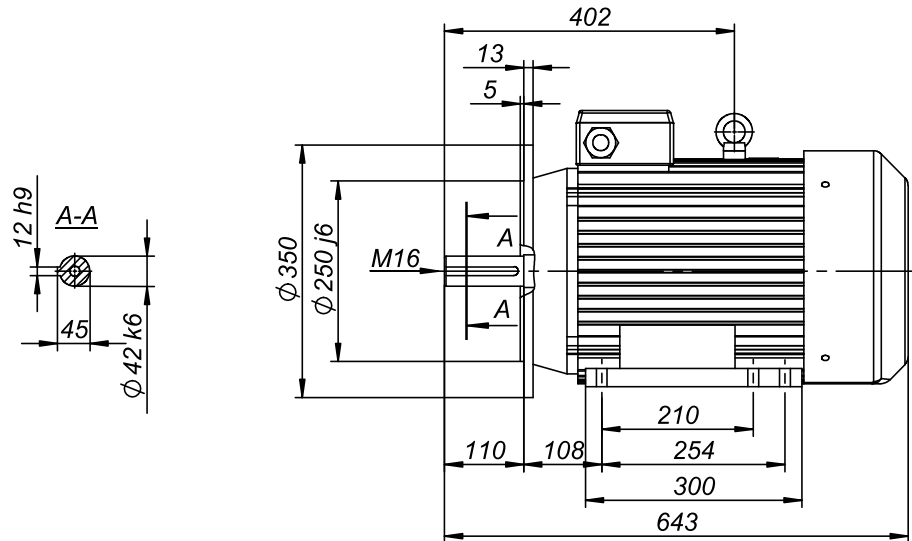
Drawing no.

S-1440-01-2014

Scale

1:10

Cantoni[®]
GROUP



Motor type

3SIEL160M-B35

Drawing no.

S-1444-01-2014

Scale

1:10

