

**CELMA**  
indukta

Motor type

**3SIE160L-B3**

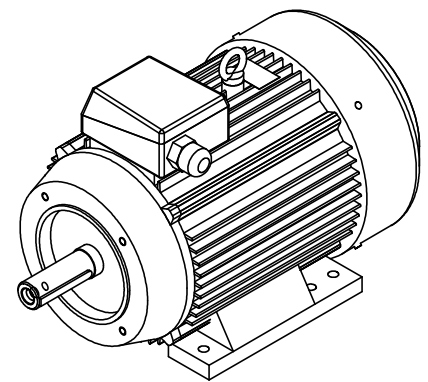
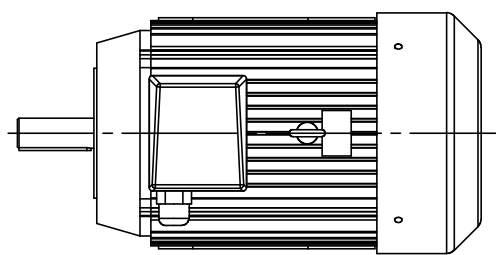
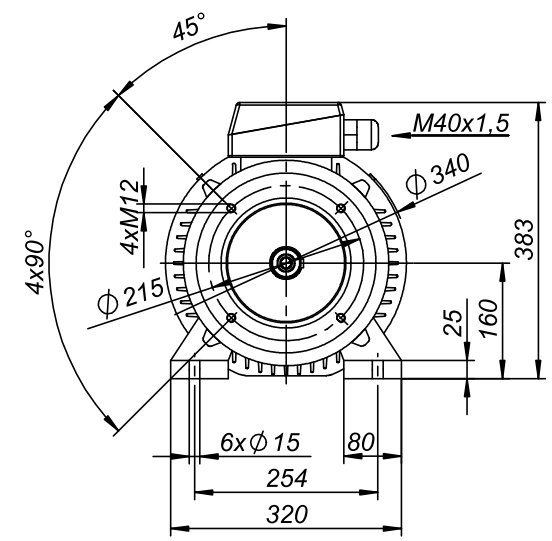
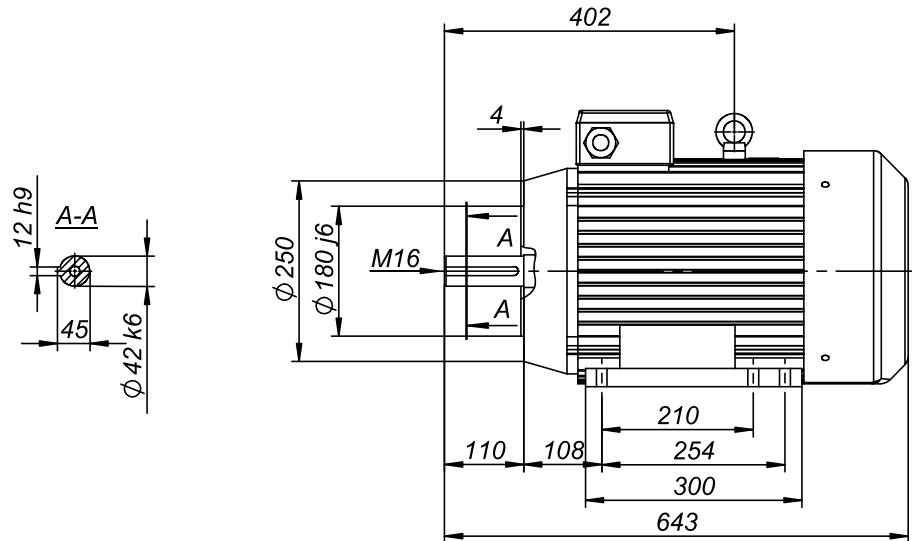
Drawing no.

**S-1436-01-2014**

Scale

**1:10**

**Cantoni**<sup>®</sup>  
GROUP



Motor type

**3SIEL160L-B34-C2**

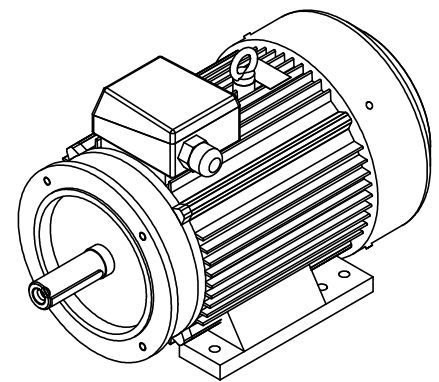
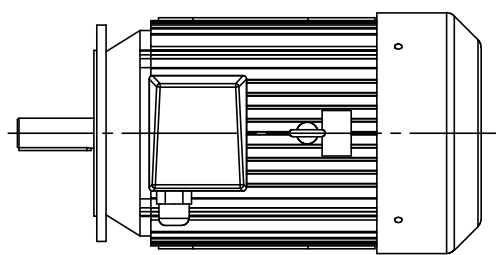
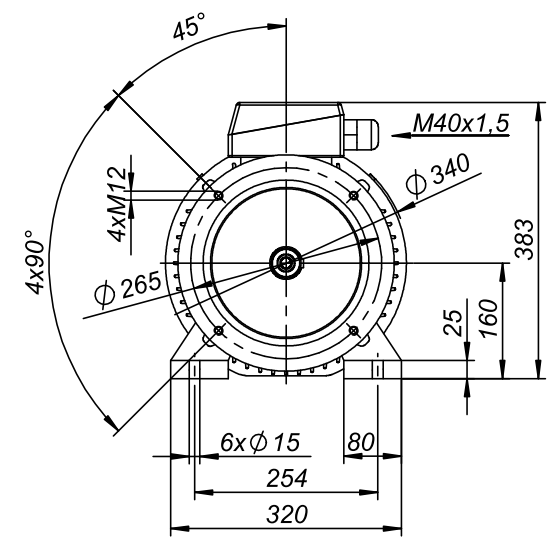
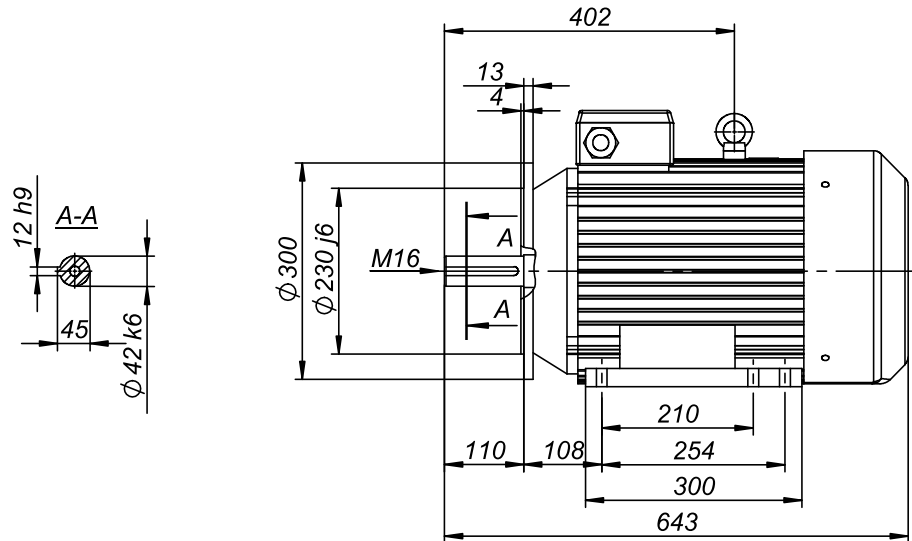
Drawing no.

**S-1501-01-2014**

Scale

**1:10**





Motor type

**3SIEL160L-B34-C1**

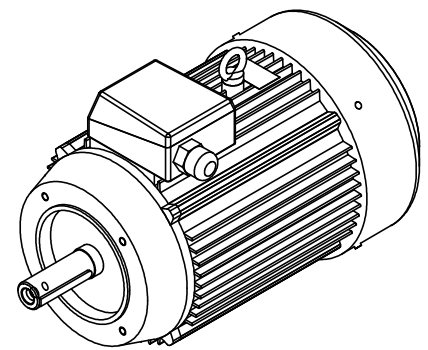
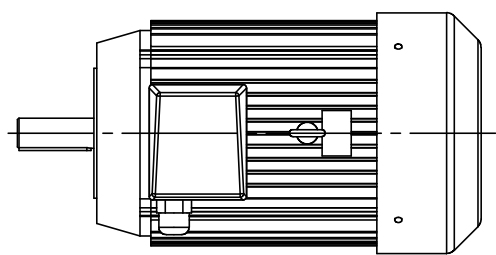
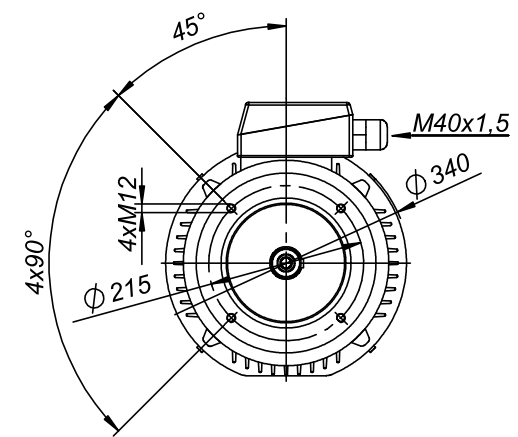
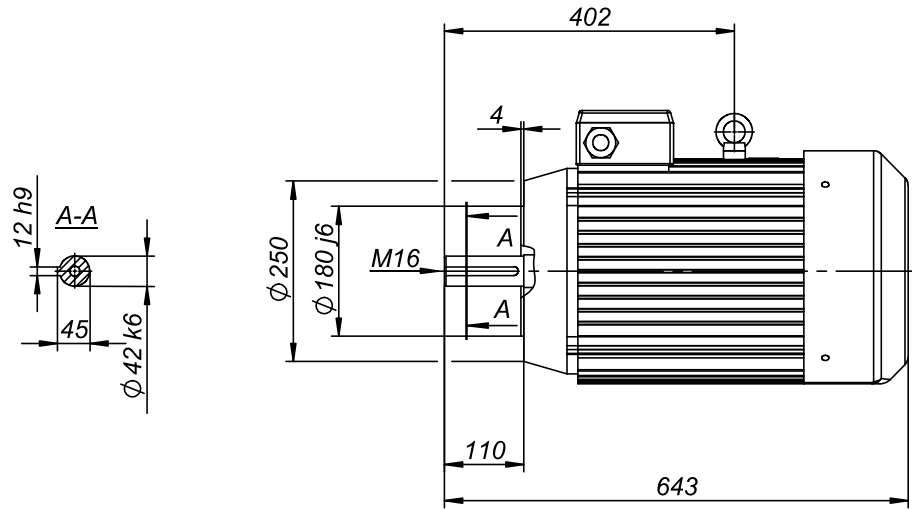


Drawing no.

**S-1500-01-2014**

Scale

**1:10**



Motor type

**3SIEK160M;L-B14-C2**

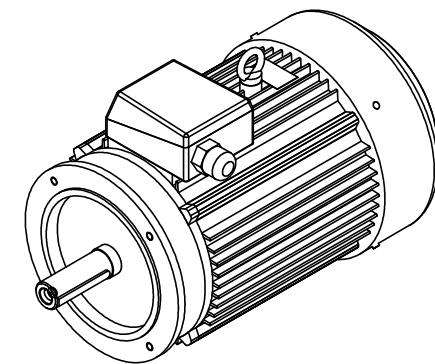
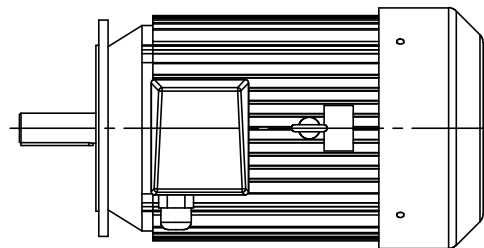
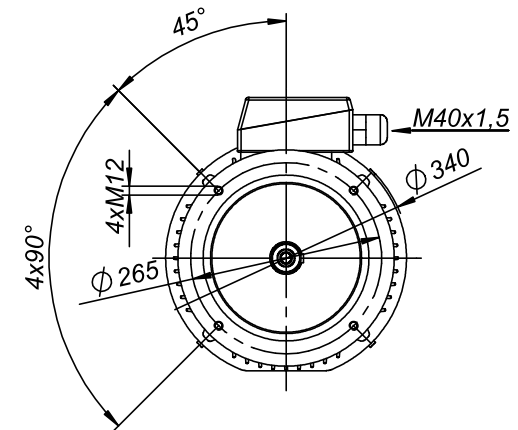
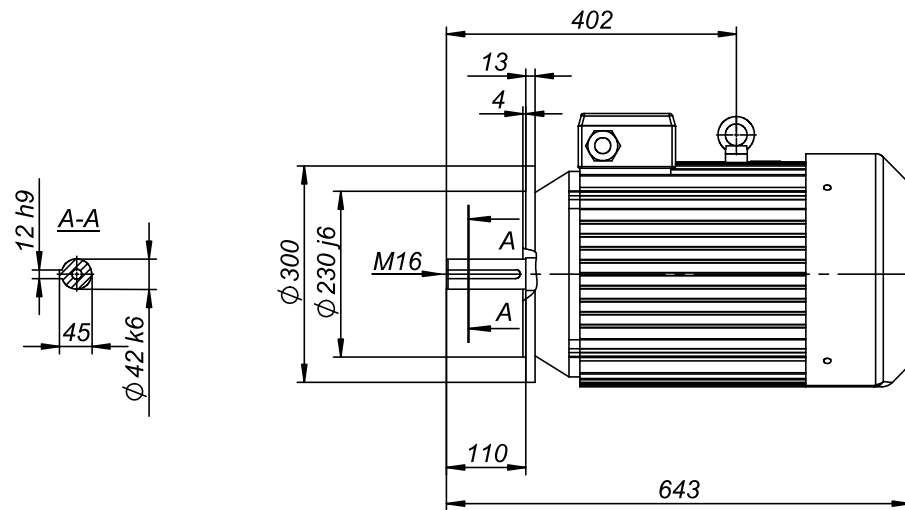


Drawing no.

**S-1493-01-2014**

Scale

**1:10**



**CELMA**  
indukta

Motor type

**3SIEK160M;L-B14-C1**

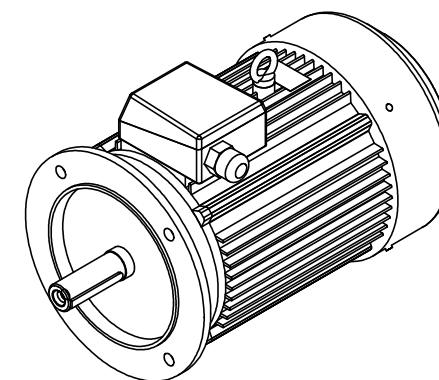
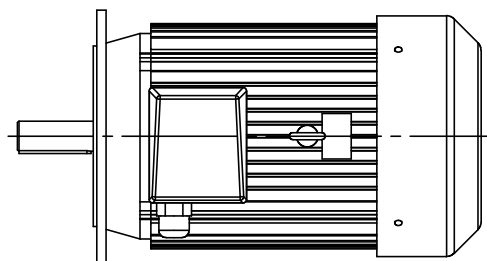
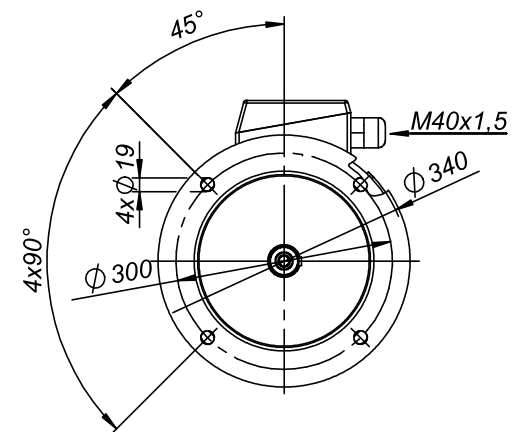
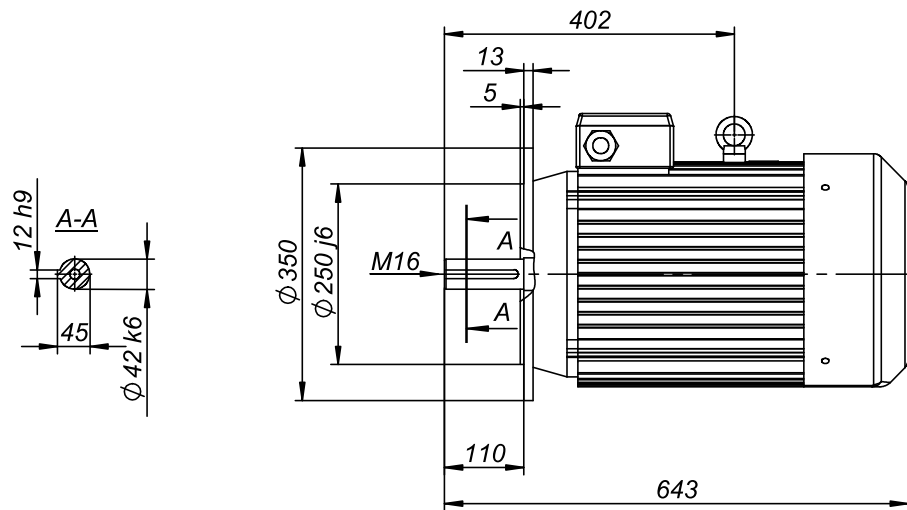
Drawing no.

**S-1492-01-2014**

Scale

**1:10**

**Cantoni**<sup>®</sup>  
GROUP



**CELMA**  
indukta

Motor type

**3SIEK160M;L-B5**

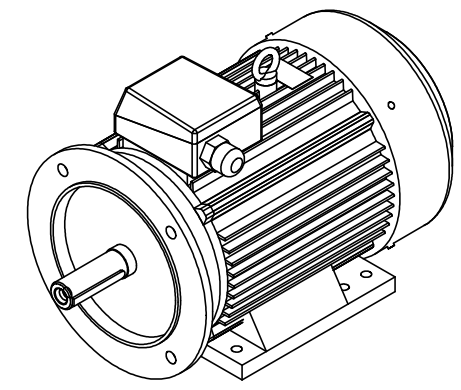
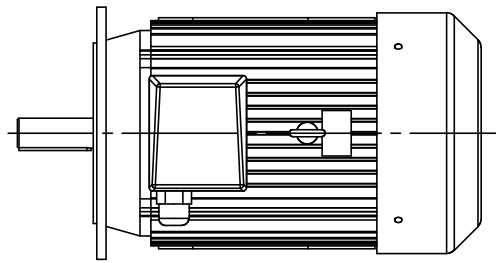
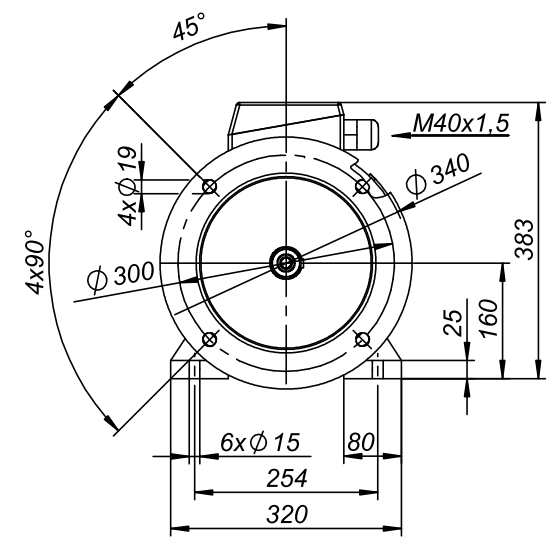
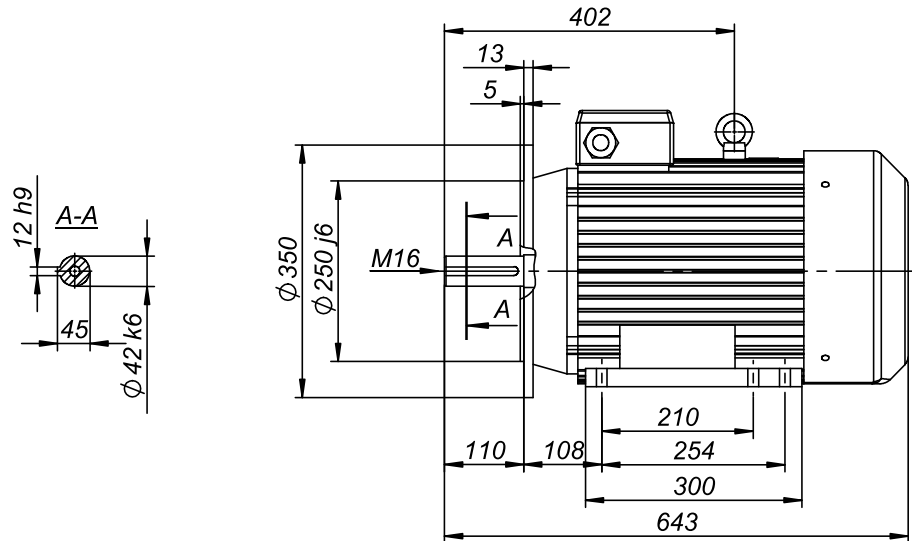
Drawing no.

**S-1440-01-2014**

Scale

**1:10**

**Cantoni**<sup>®</sup>  
GROUP



Motor type

**3SIEL160L-B35**



Drawing no.

**S-1445-01-2014**

Scale

**1:10**