

CELMA
indukta

Cantoni[®]
GROUP

Motor type

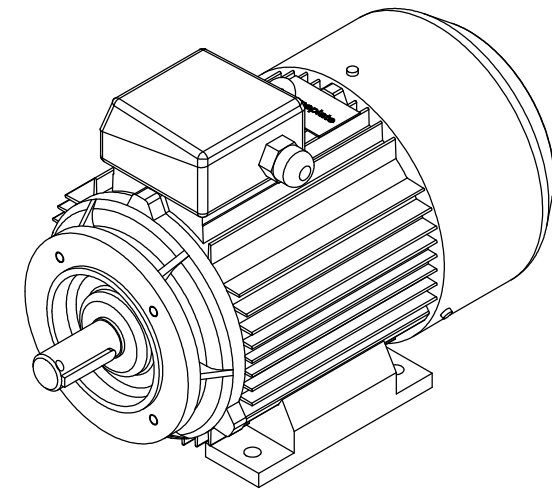
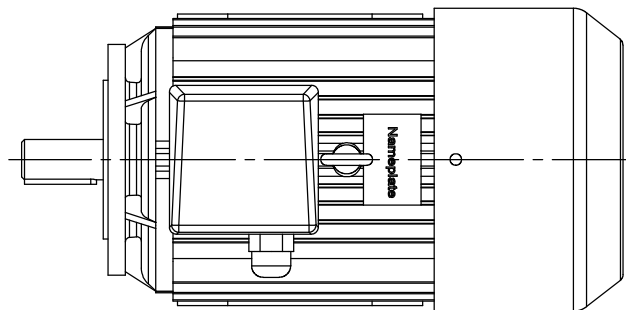
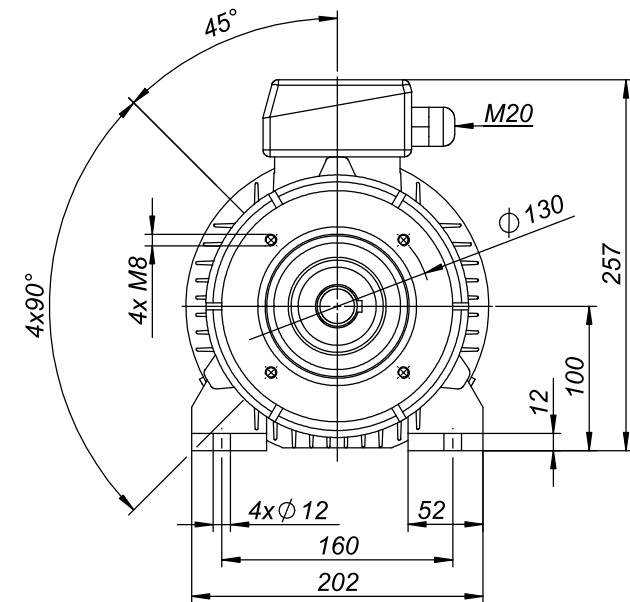
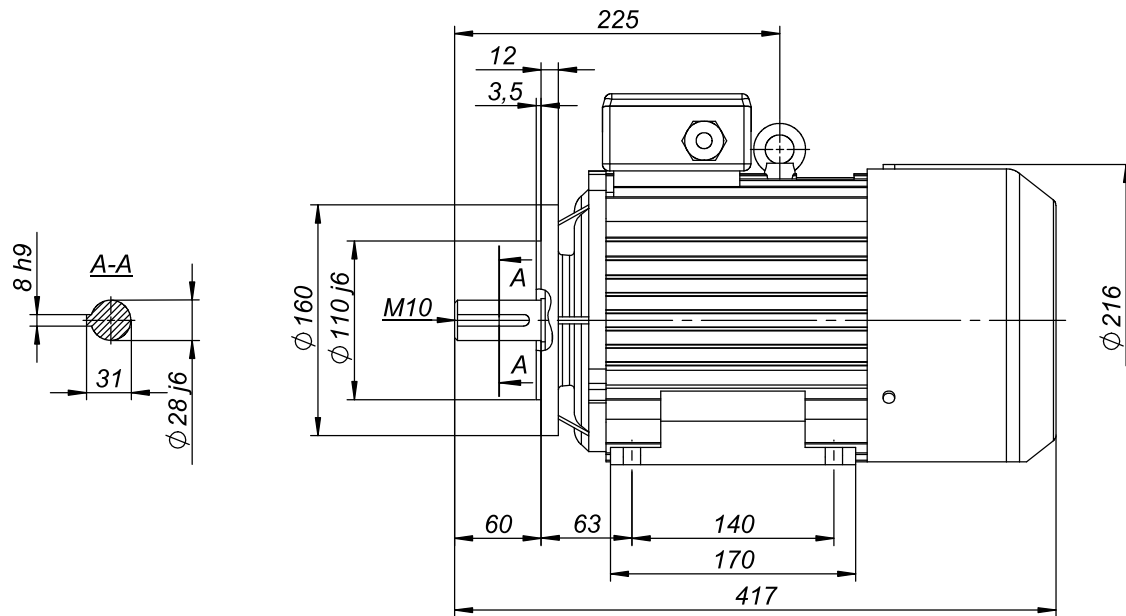
3SIE100L2A,4A,4B,6A,8B-B3

Drawing no.

S-1939-02-2016

Scale

1:5



CELMA
indukta

Motor type

3SIEL100L2A,4A,4B,6A,8B-B34-C2

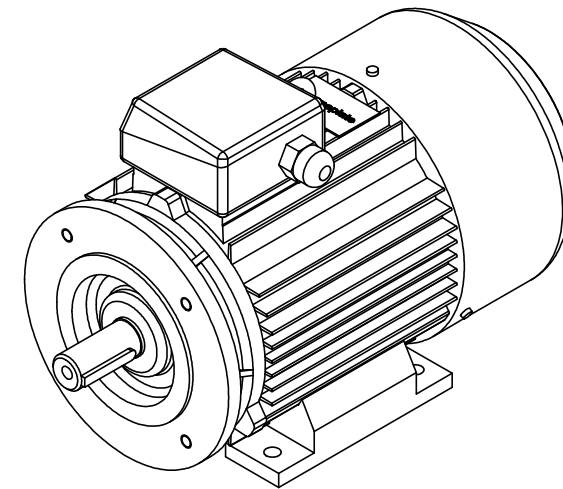
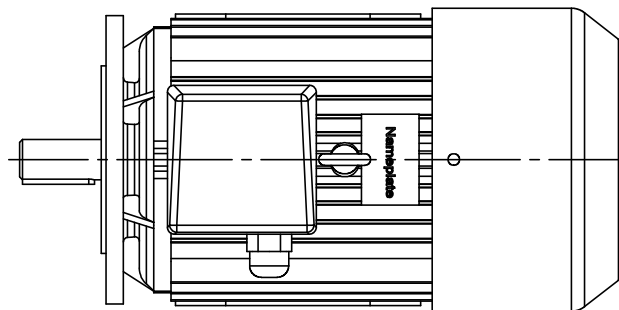
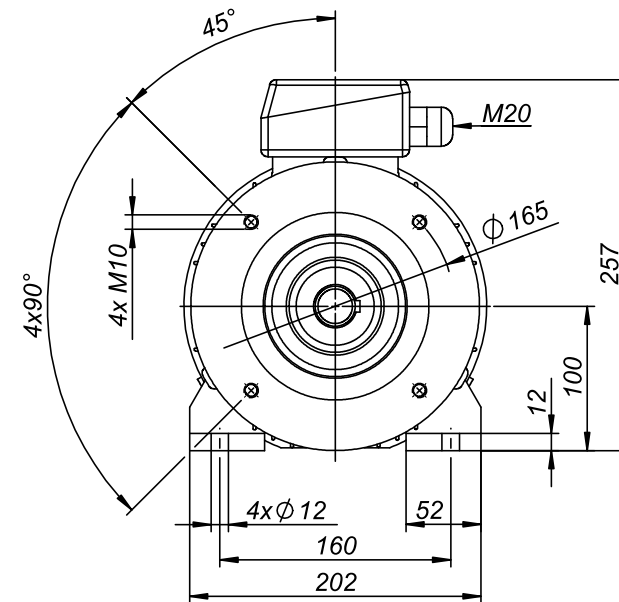
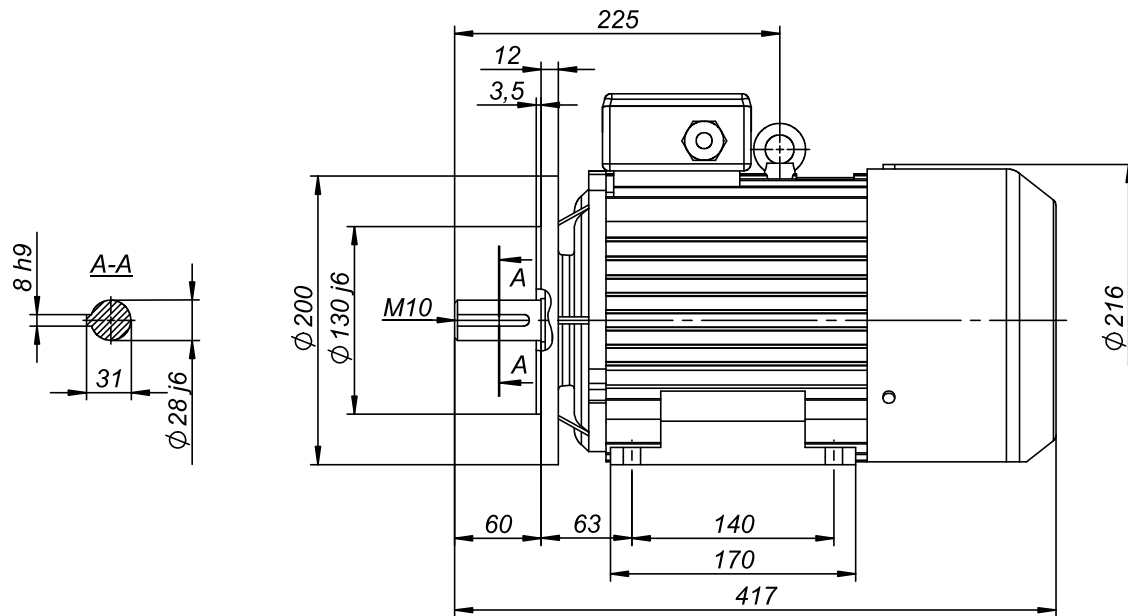
Drawing no.

S-1976-02-2016

Scale

1:5

Cantoni[®]
GROUP



CELMA
indukta

Motor type

3SIEL100L2A,4A,4B,6A,8B-B34-C1

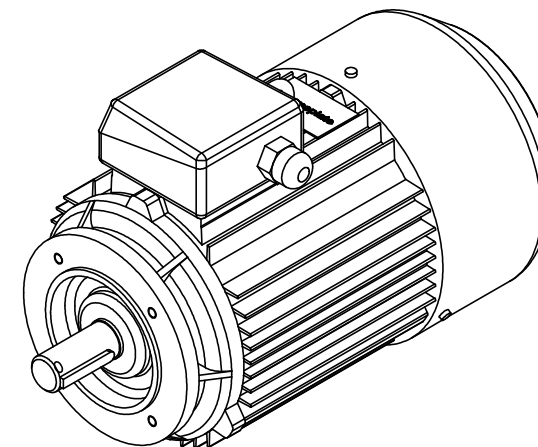
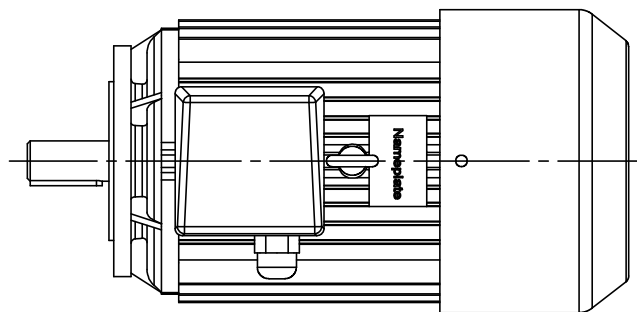
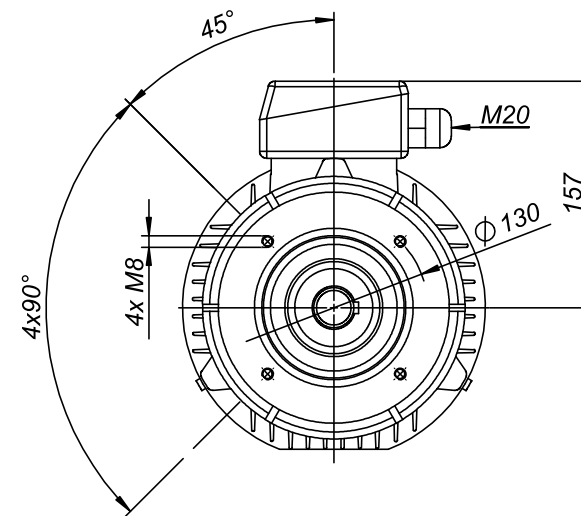
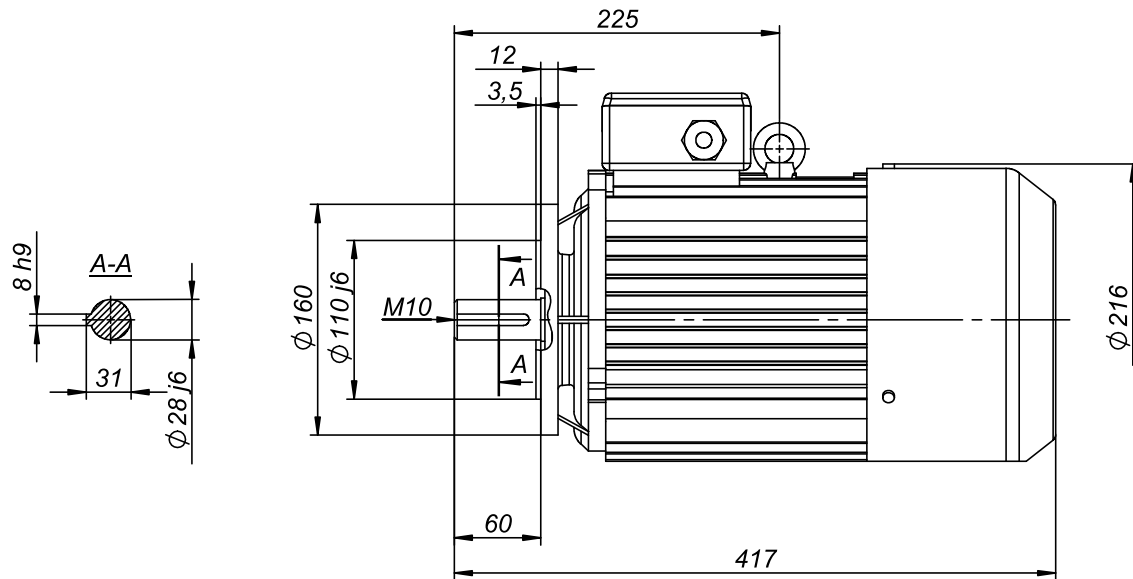
Drawing no.

S-1975-02-2016

Scale

1:5

Cantoni[®]
GROUP



CELMA
indukta

Cantoni[®]
GROUP

Motor type

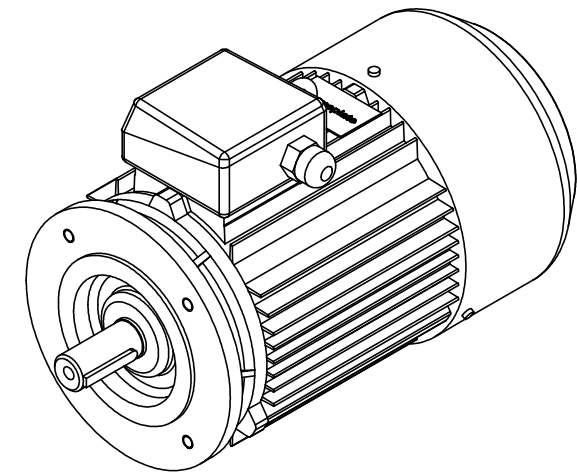
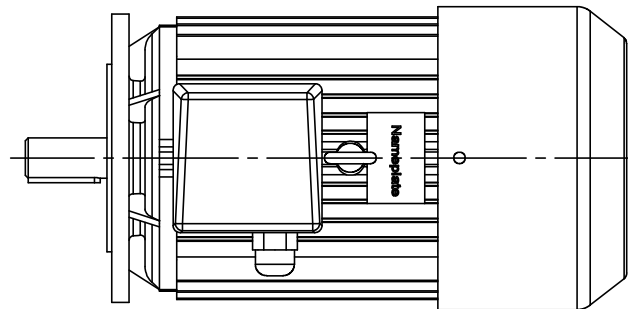
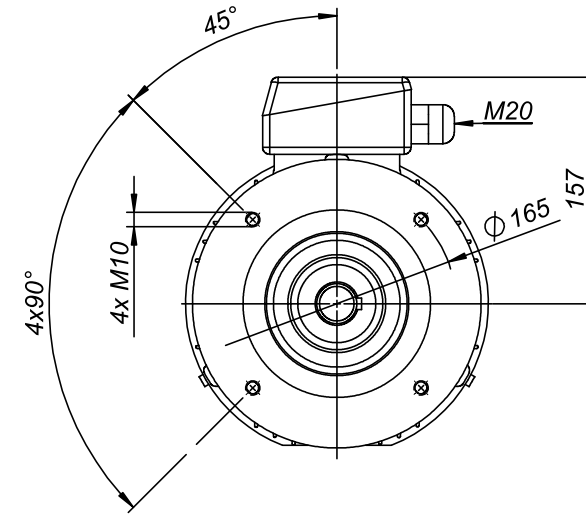
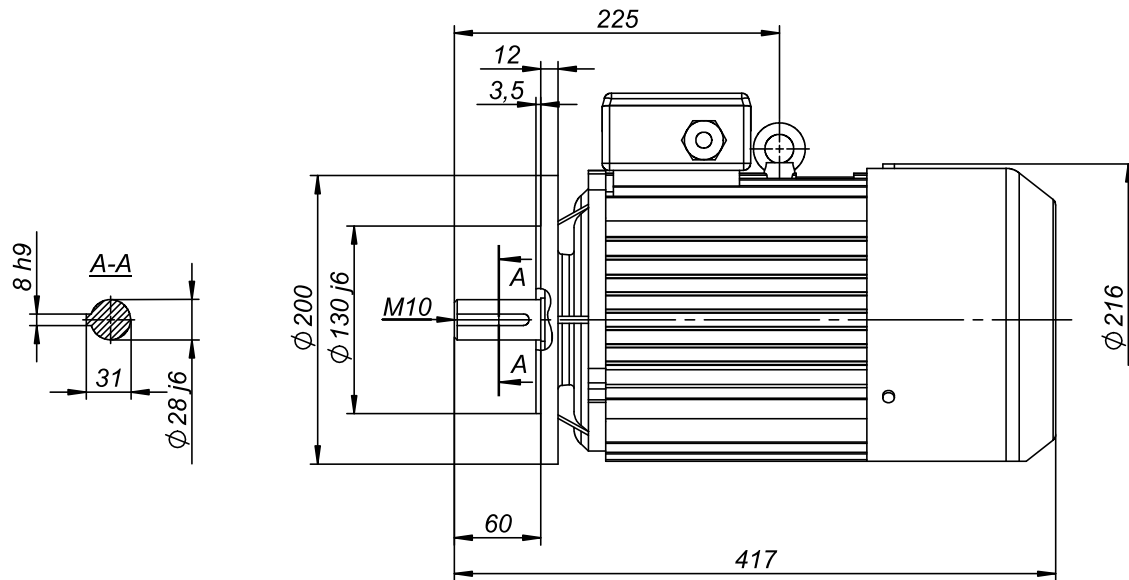
3SIEK100L2A,4A,4B,6A,8B-B14-C2

Drawing no.

S-1962-02-2016

Scale

1:5



CELMA
indukta

Cantoni[®]
GROUP

Motor type

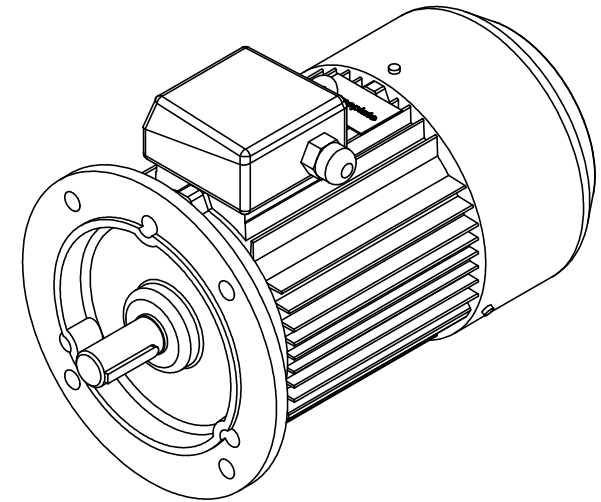
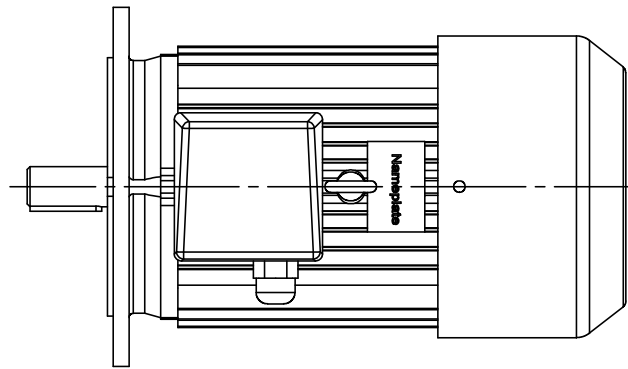
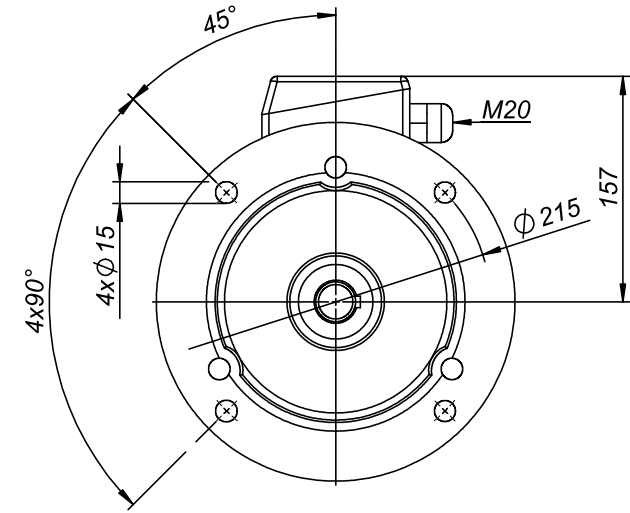
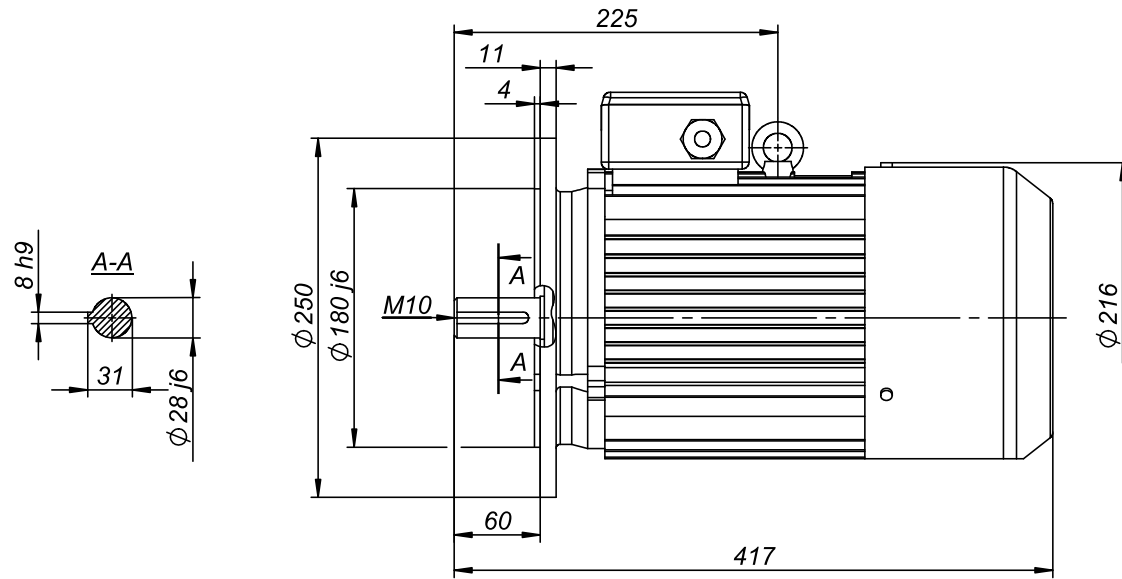
3SIEK100L2A,4A,4B,6A,8B-B14-C1

Drawing no.

S-1961-02-2016

Scale

1:5



CELMA
indukta

Motor type

3SIEK100L2A,4A,4B,6A,8B-B5

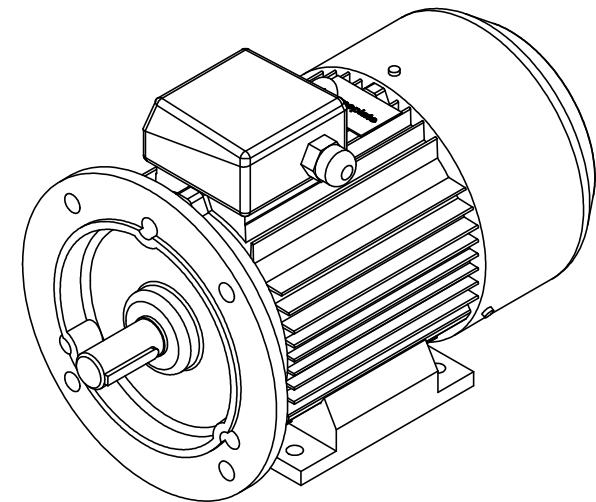
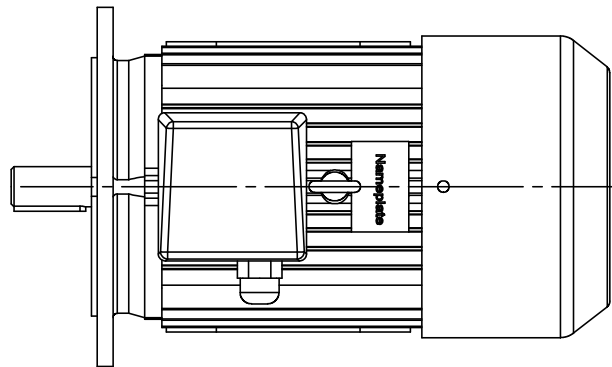
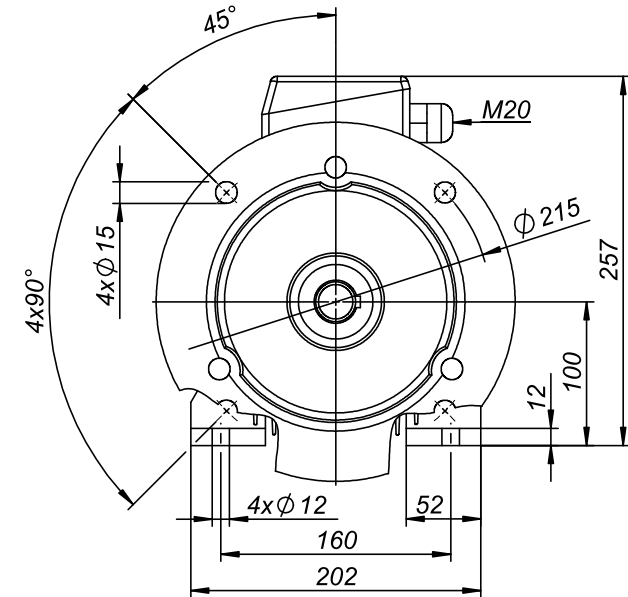
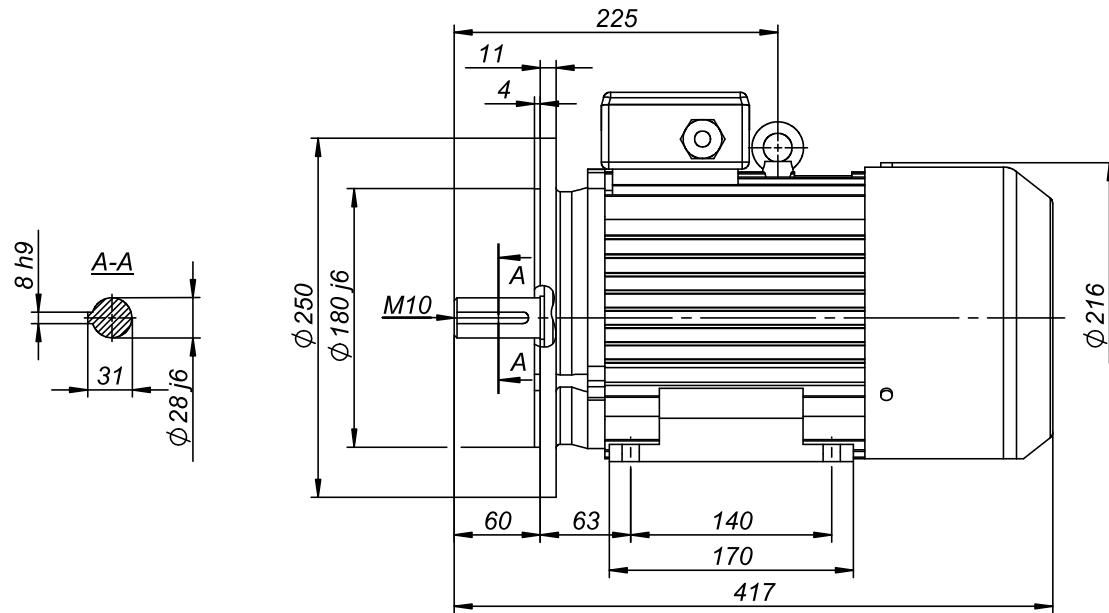
Cantoni[®]
GROUP

Drawing no.

S-1945-02-2016

Scale

1:5



CELMA
indukta

Motor type

3SIEL100L2A,4A,4B,6A,8B-B35

Cantoni[®]
GROUP

Drawing no.

S-1952-02-2016

Scale

1:5