

CELMA
indukta

Motor type

3SIE90S2,4,6,8-B3

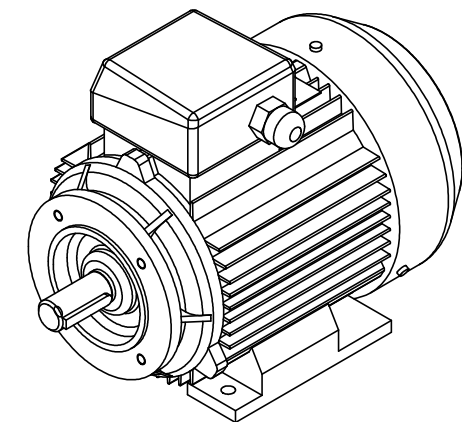
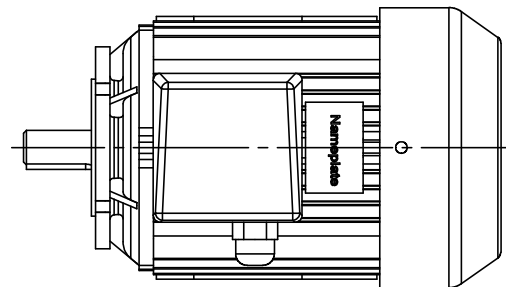
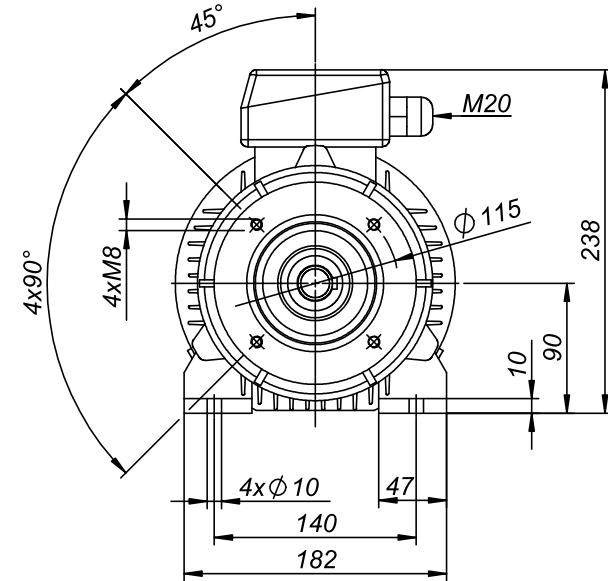
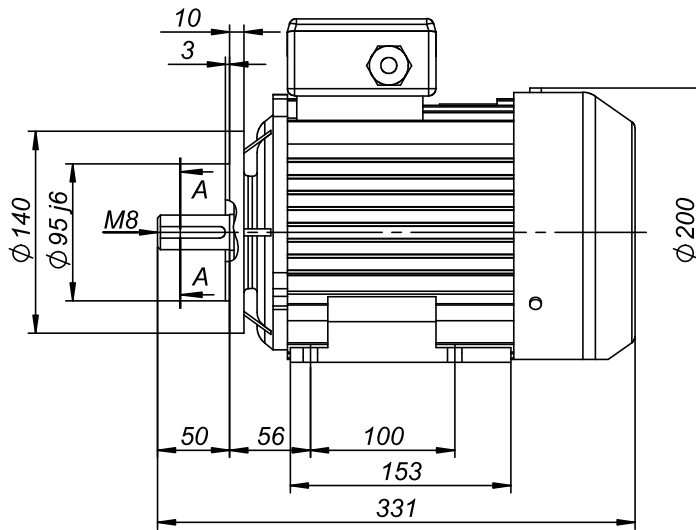
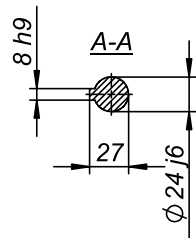
Cantoni[®]
GROUP

Drawing no.

S-1935-02-2016

Scale

1:5



Motor type

3SIEL90S2,4,6,8-B34-C2

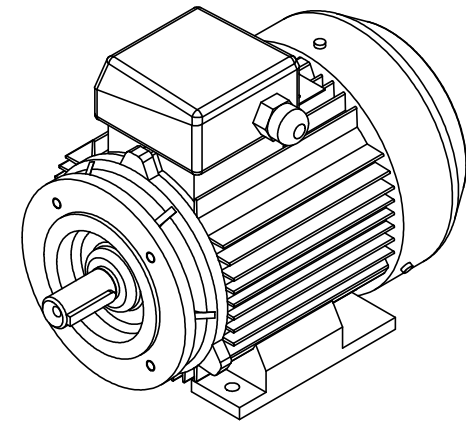
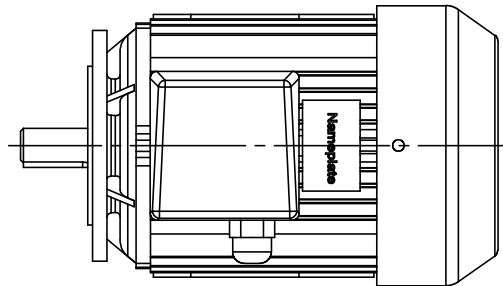
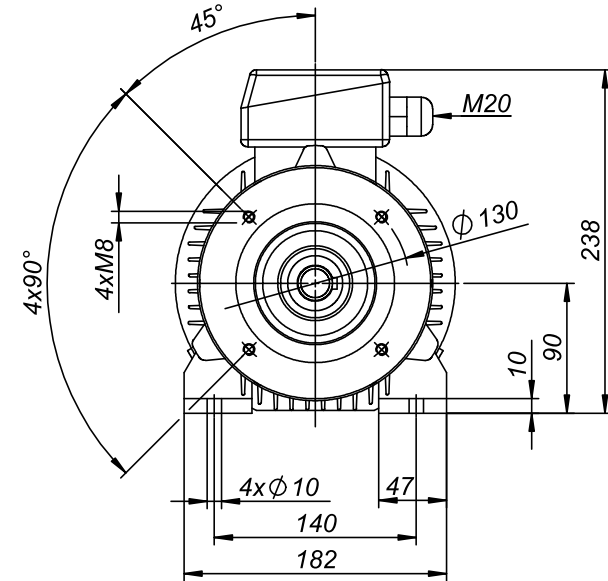
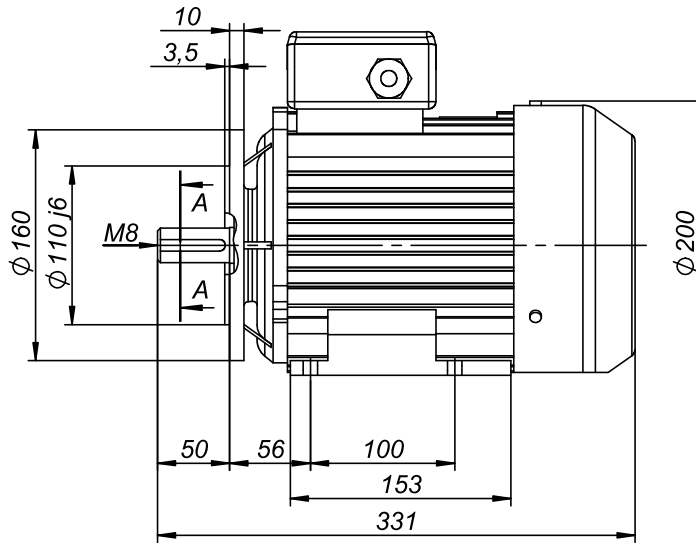
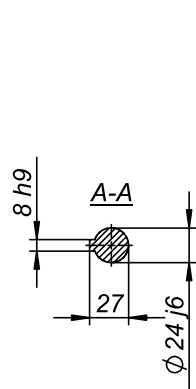
Drawing no.

S-1968-02-2016

Scale

1:5





CELMA
indukta

Motor type

3SIEL90S2,4,6,8-B34-C1

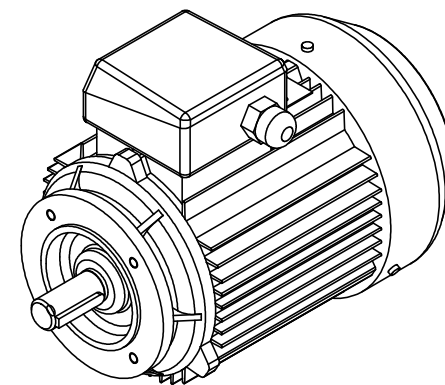
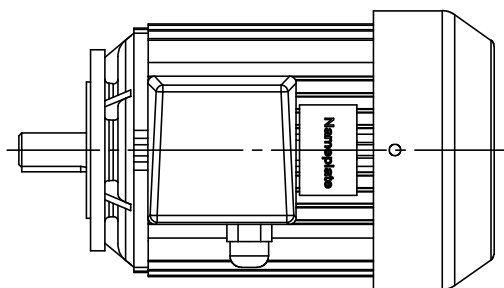
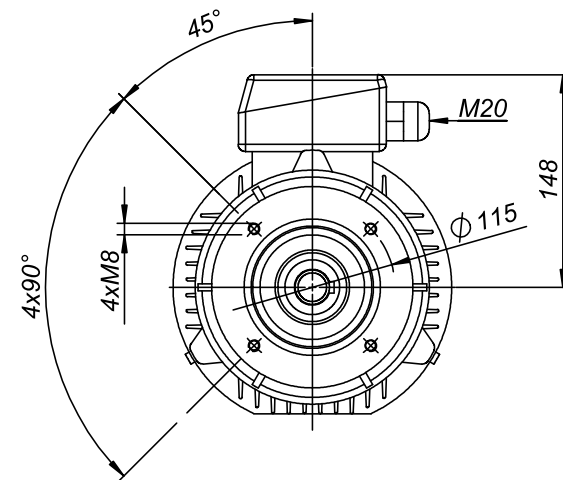
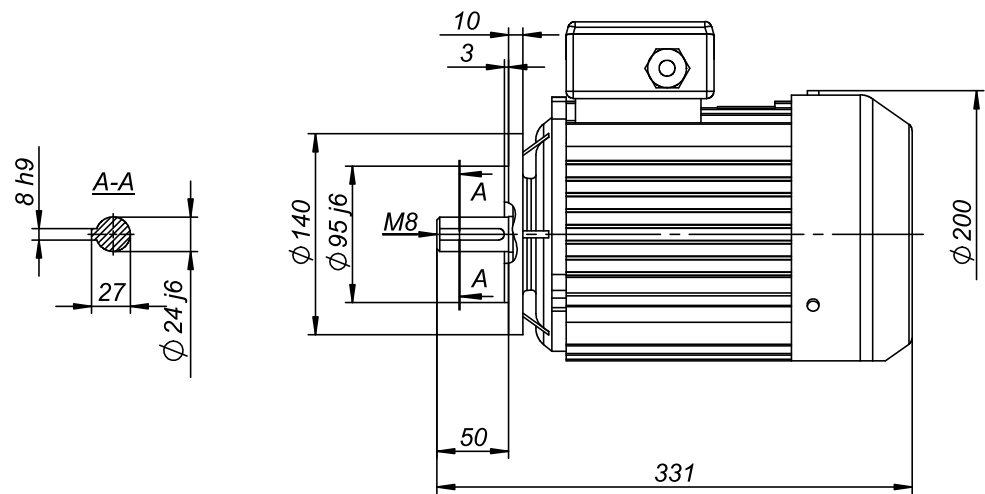
Cantoni[®]
GROUP

Drawing no.

S-1967-02-2016

Scale

1:5



Motor type

3SIEK90S2,4,6,8,L2,8-B14-C2

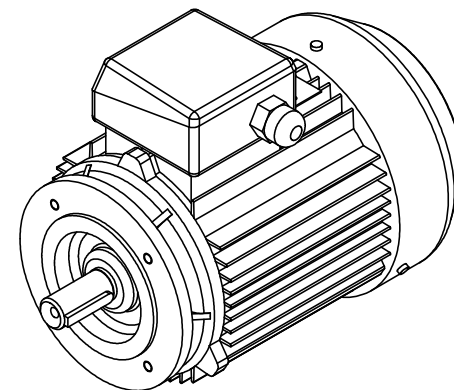
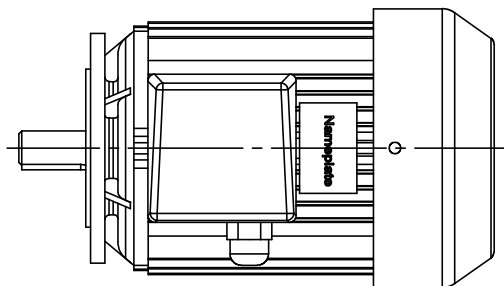
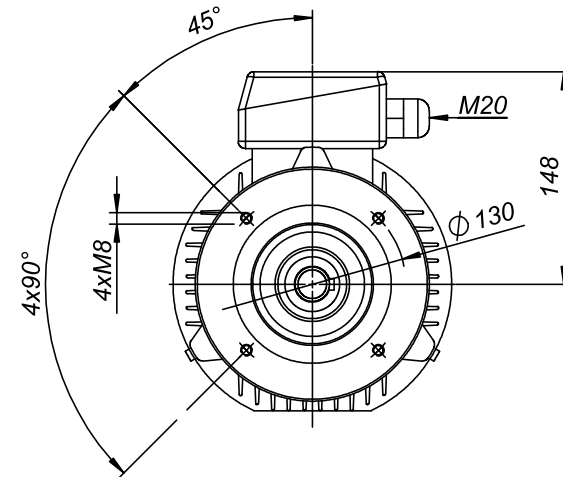
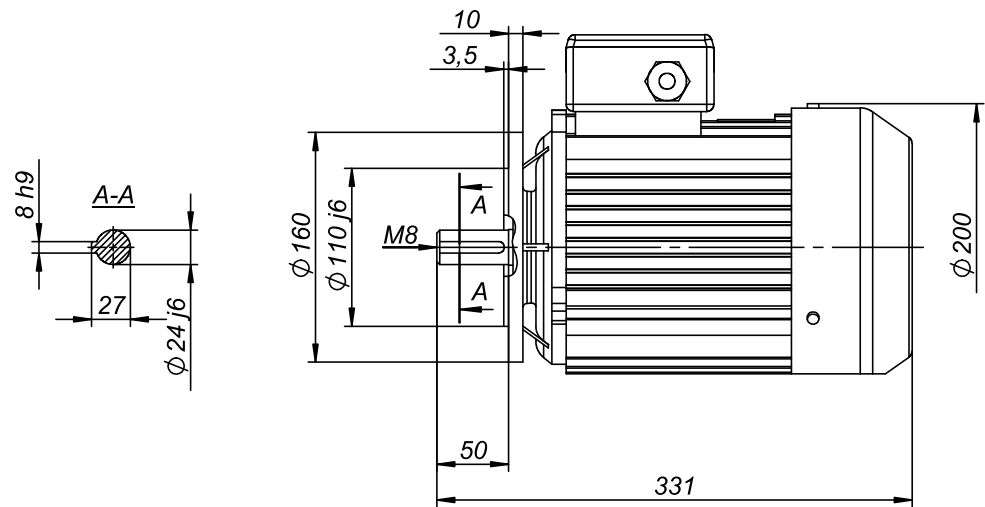


Drawing no.

S-1956-02-2016

Scale

1:5



Motor type

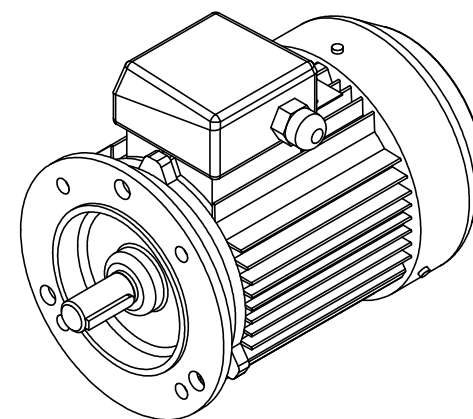
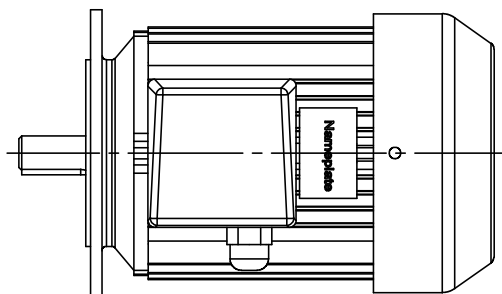
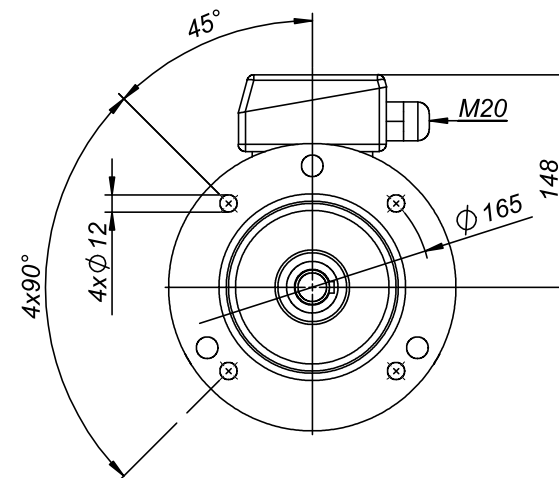
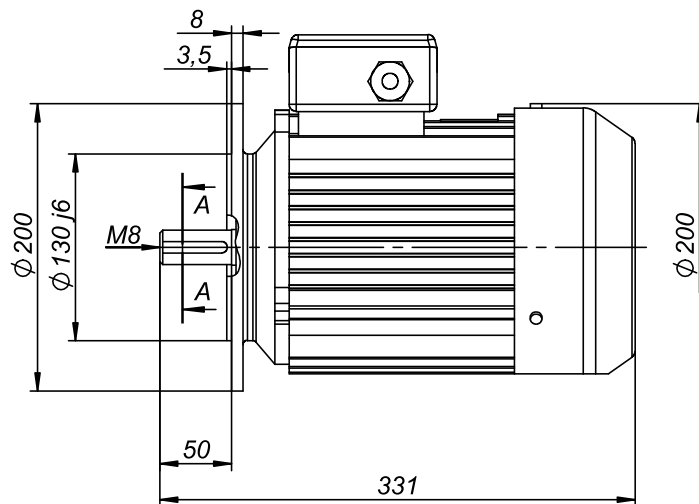
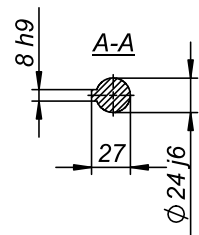
3SIEK90S2,4,6,8,L2,8-B14-C1

Drawing no.

S-1955-02-2016

Scale

1:5



CELMA
indukta

Motor type

3SIEK90S2,4,6,8,L2,8-B5

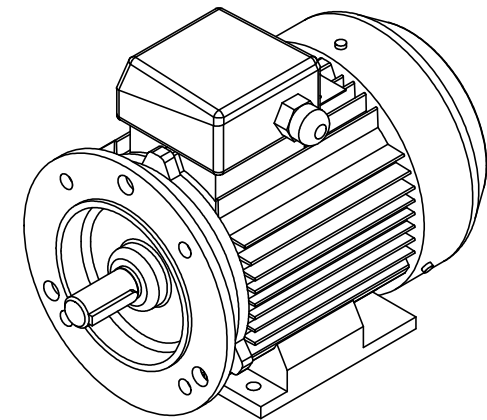
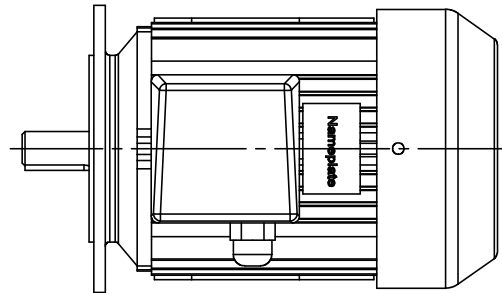
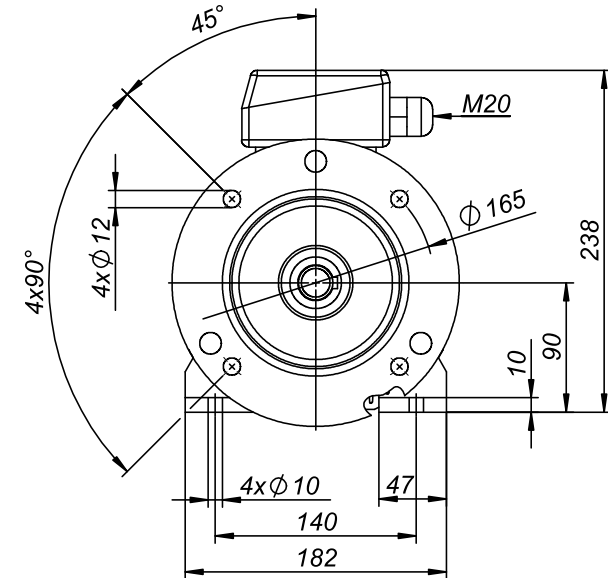
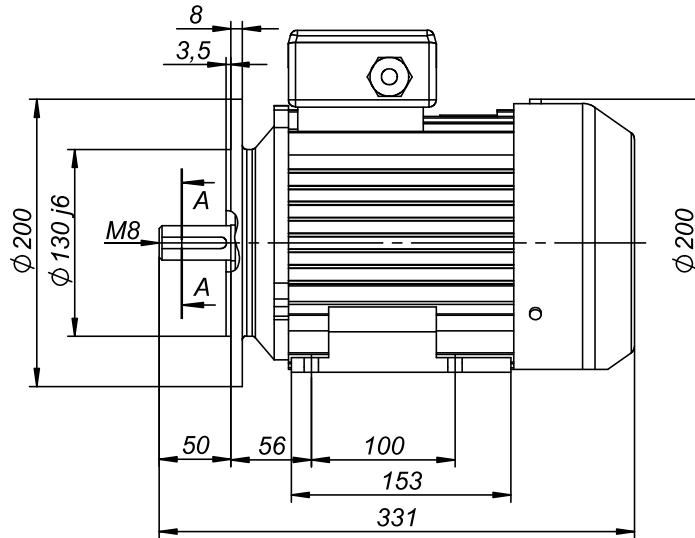
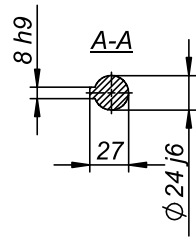
Drawing no.

S-1942-02-2016

Scale

1:5

Cantoni[®]
GROUP



CELMA
indukta

Motor type

3SIEL90S2,4,6,8-B35

Cantoni
GROUP

Drawing no.

S-1948-02-2016

Scale

1:5