

**CELMA**  
indukta

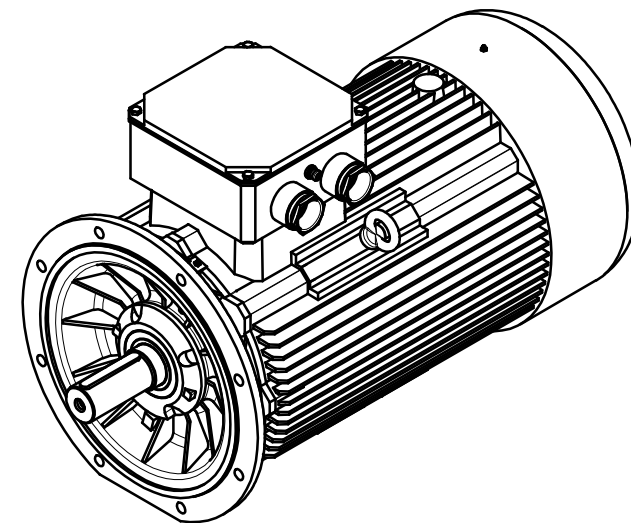
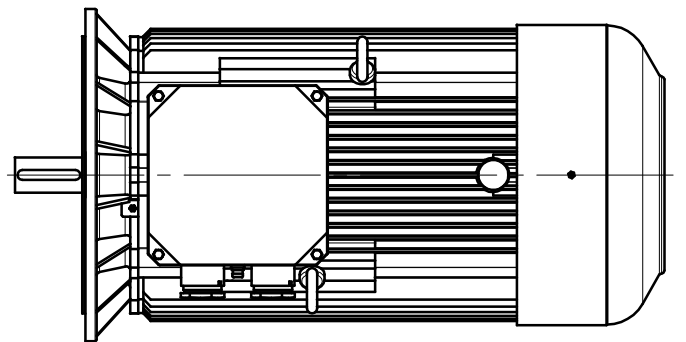
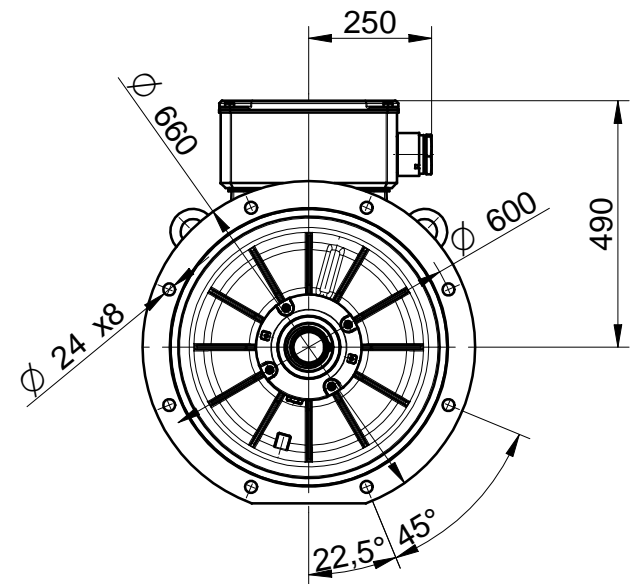
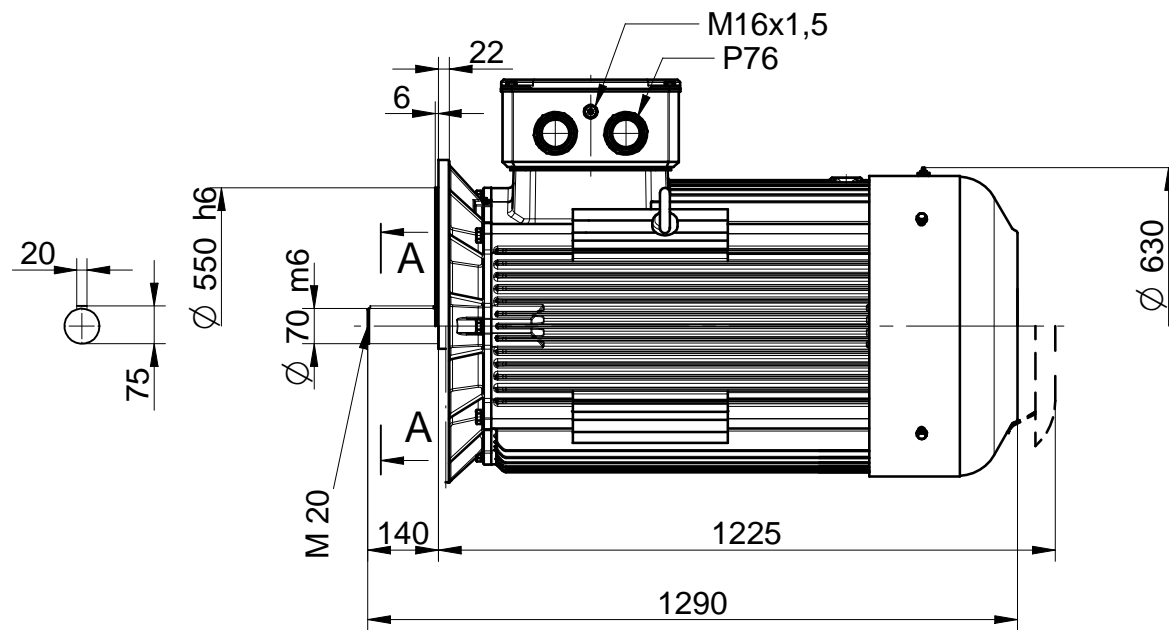
*Cantoni*  
GROUP

Motor type **(2,3)2SIE315M2C**

Drawing no. **S05,09-584-000**

2014-07-14

Scale **1:15**



**CELMA**  
**indukta**

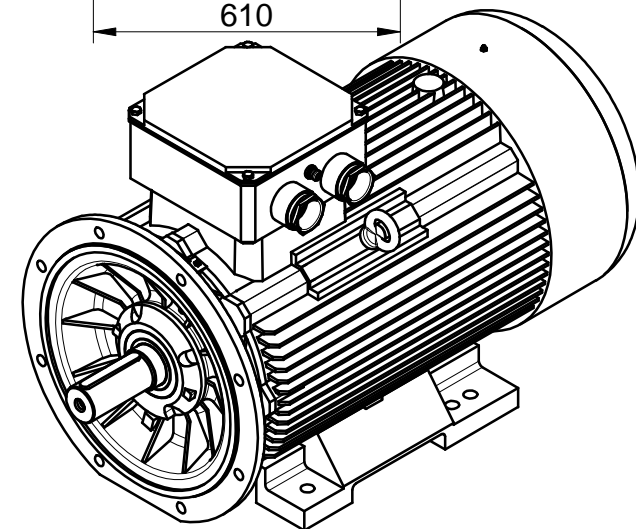
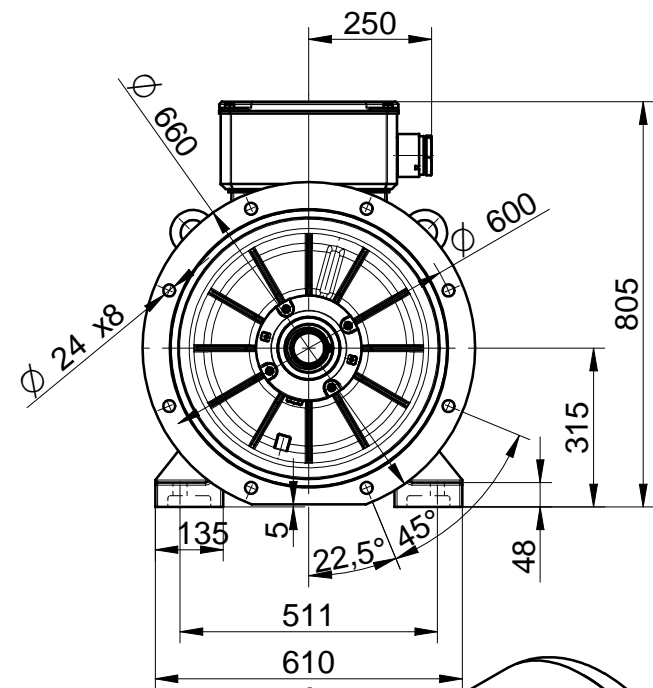
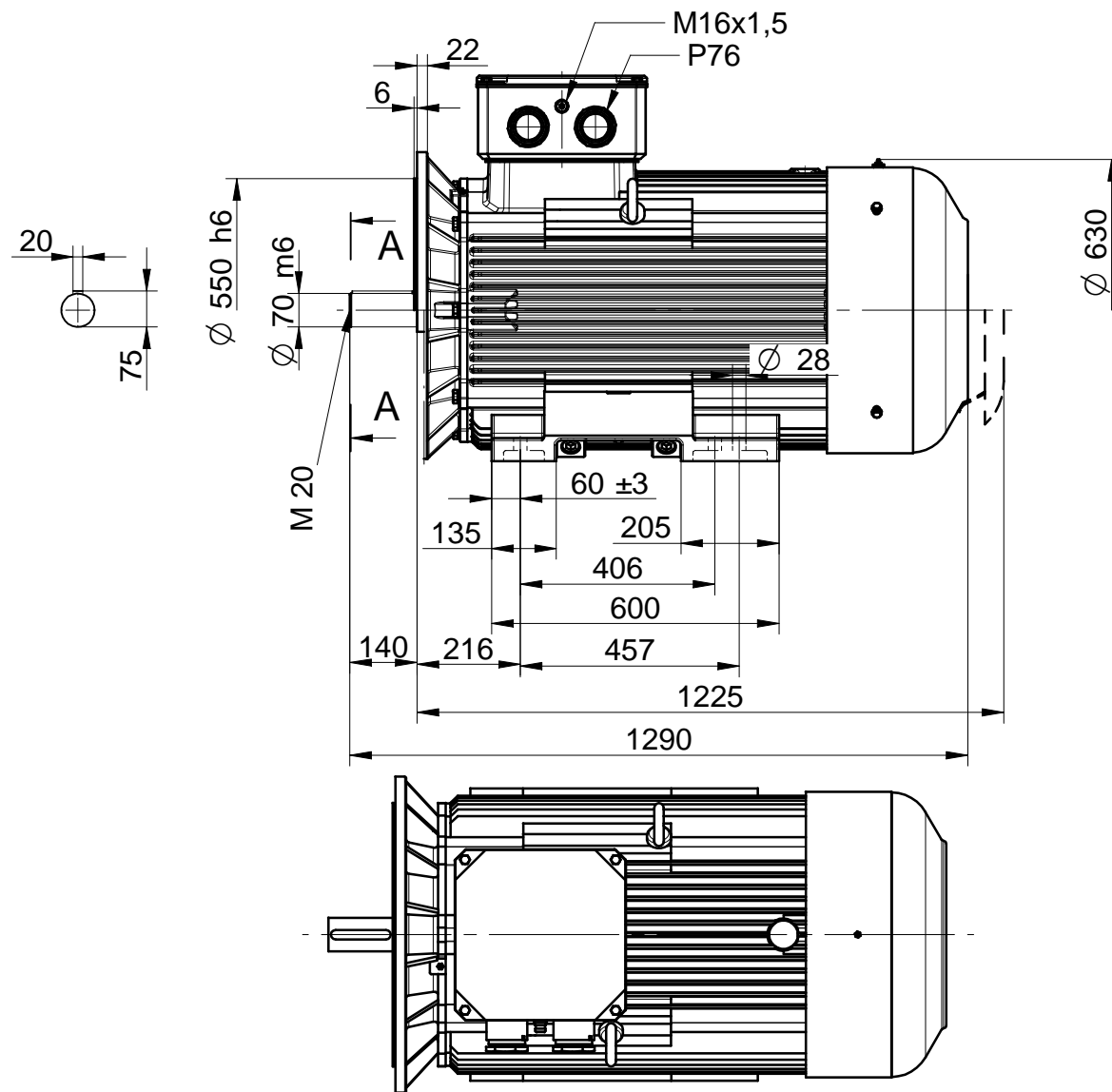
*Cantoni*  
GROUP

Motor type **(2,3)2SIEK315M2C**

Drawing no. **S05,09-586-000**

2014-10-27

Scale **1:15**



**CELMA**  
indukta

*Cantoni*  
GROUP

Motor type **(2,3)2SIEL315M2C**

Drawing no. **S05,09-585-000**

2014-10-28

Scale **1:15**