

CELMA
indukta

Motor type

3SIE90L4,6-B3

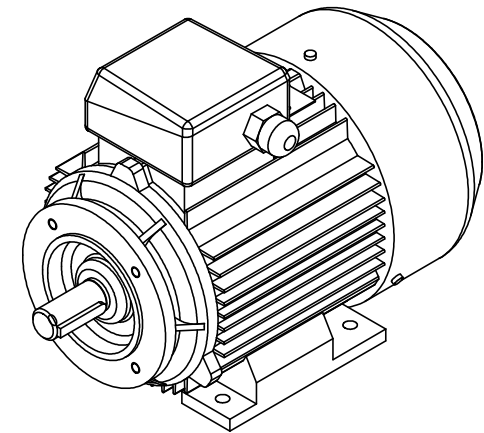
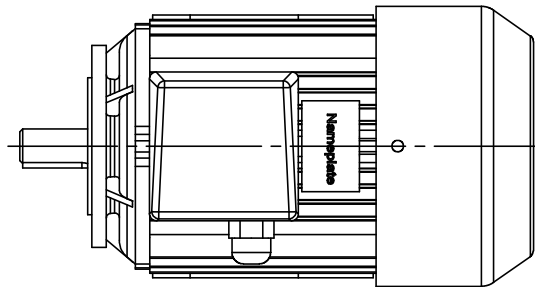
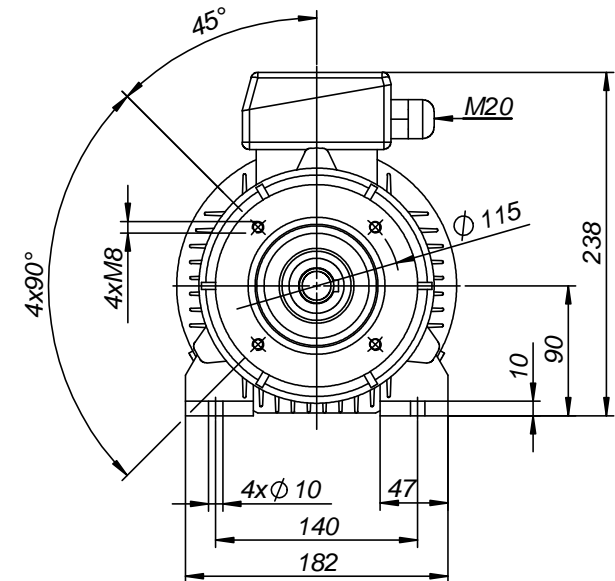
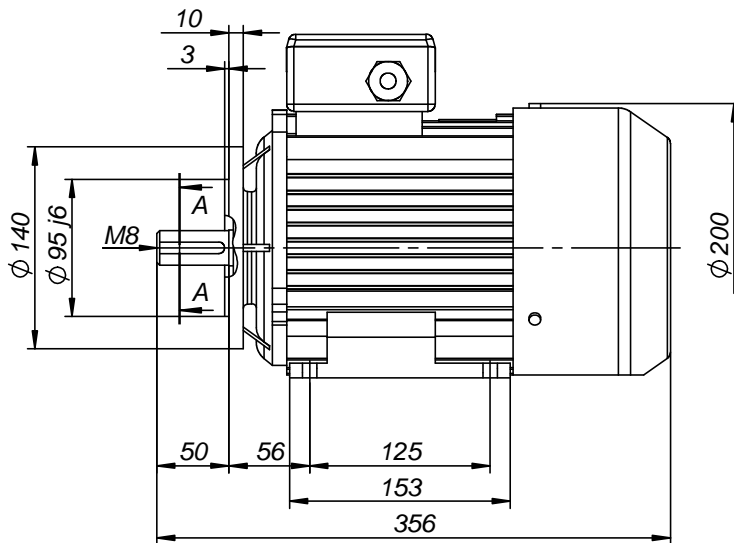
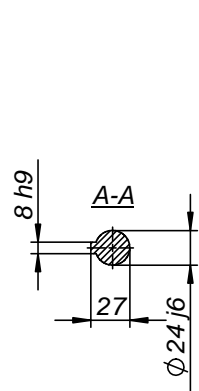
Drawing no.

S-1937-01-2016

Scale

1:5

Cantoni[®]
GROUP



Motor type

3SIEL90L4,6-B34-C2

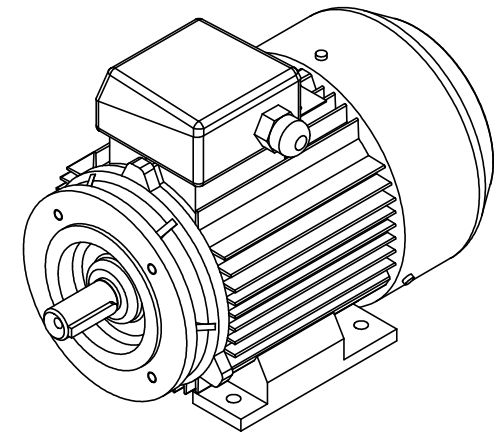
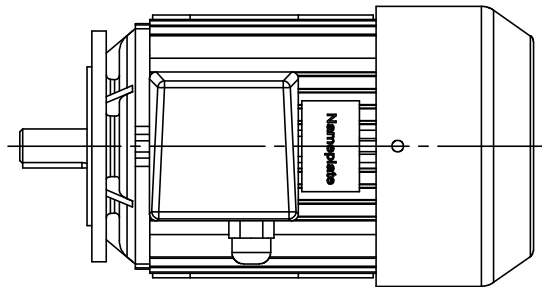
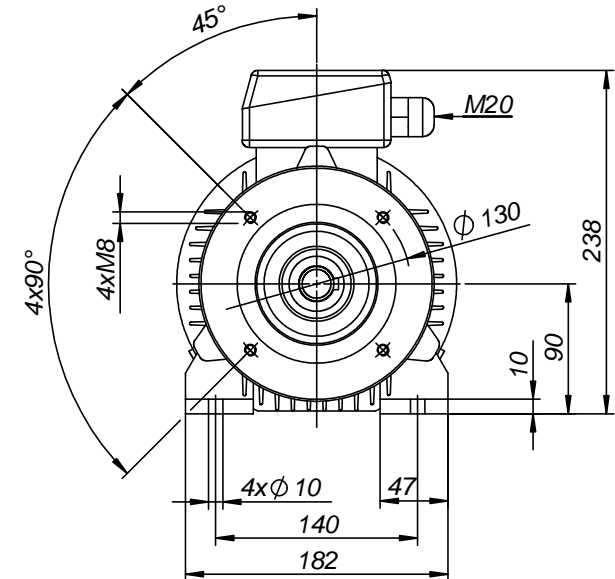
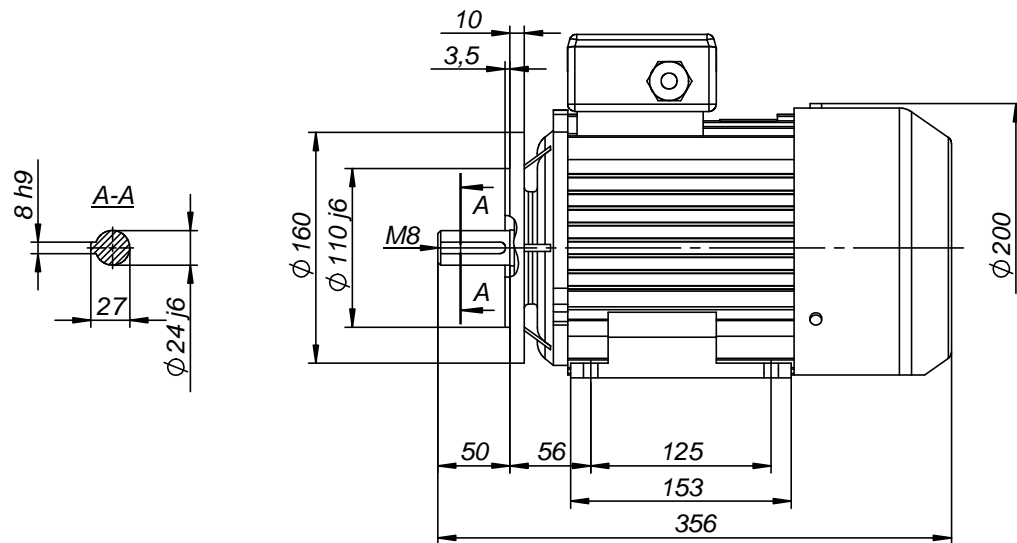


Drawing no.

S-1972-01-2016

Scale

1:5



Motor type

3SIEL90L4,6-B34-C1

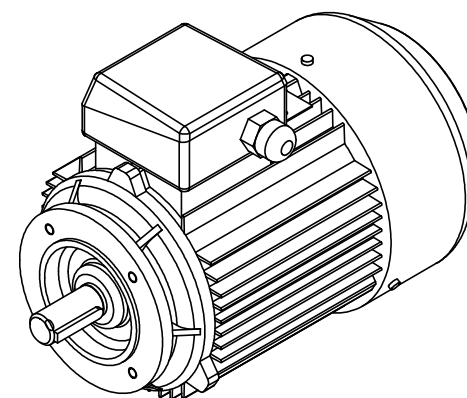
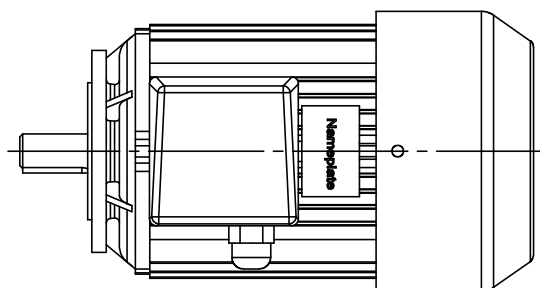
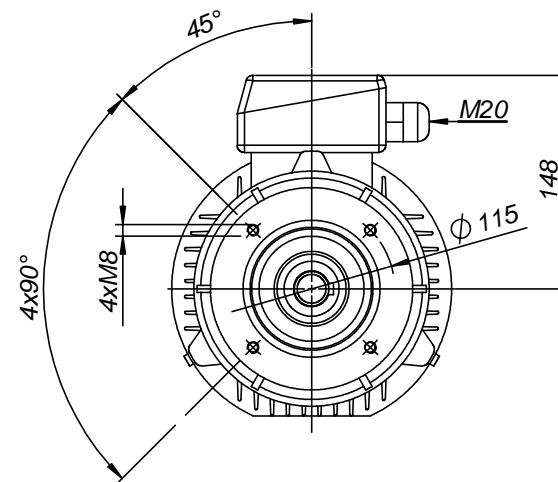
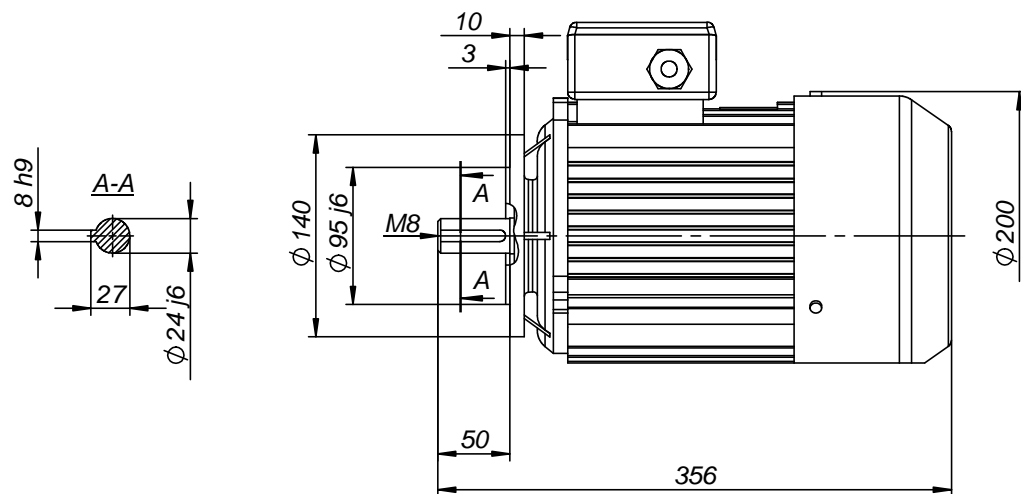


Drawing no.

S-1971-01-2016

Scale

1:5



Motor type

3SIEK90L4,6-B14-C2

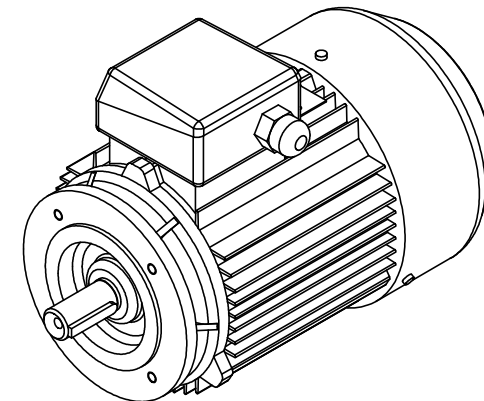
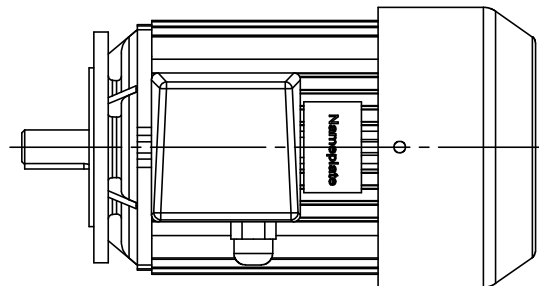
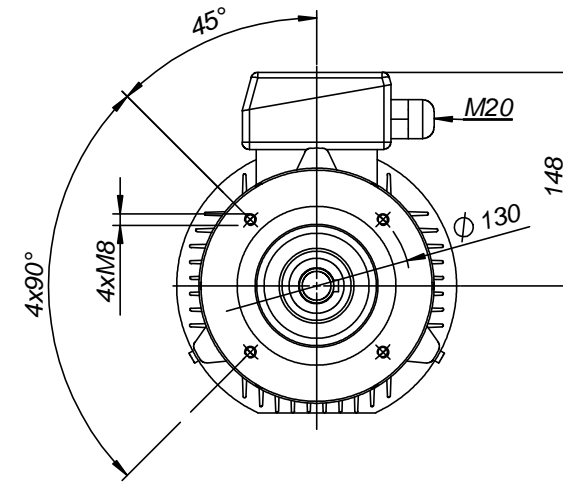
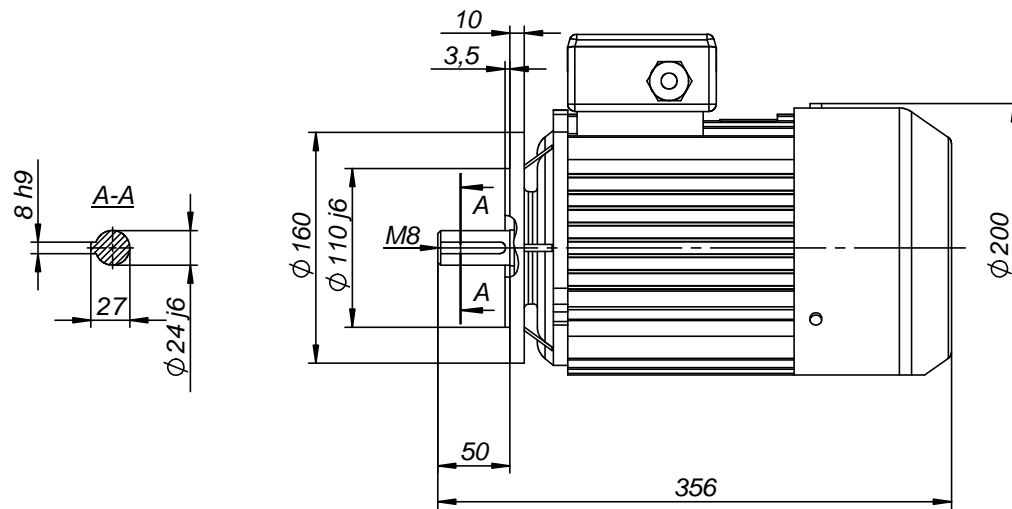
Drawing no.

S-1958-01-2016

Scale

1:5





CELMA
indukta

Motor type

3SIEK90L4,6-B14-C1

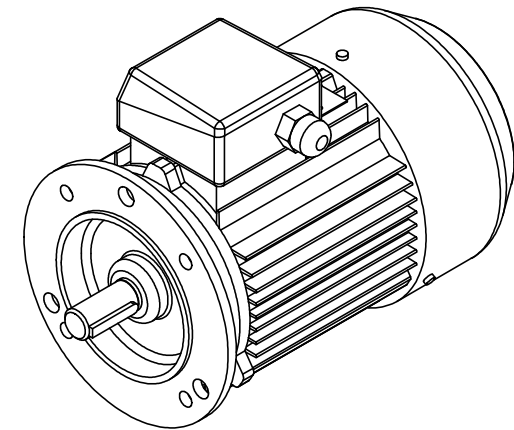
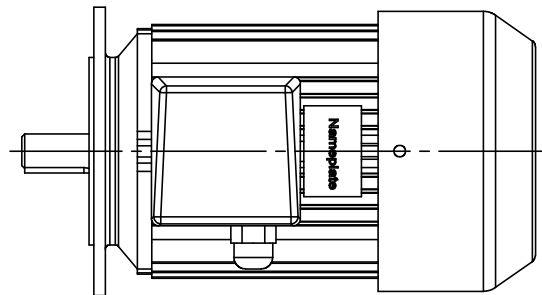
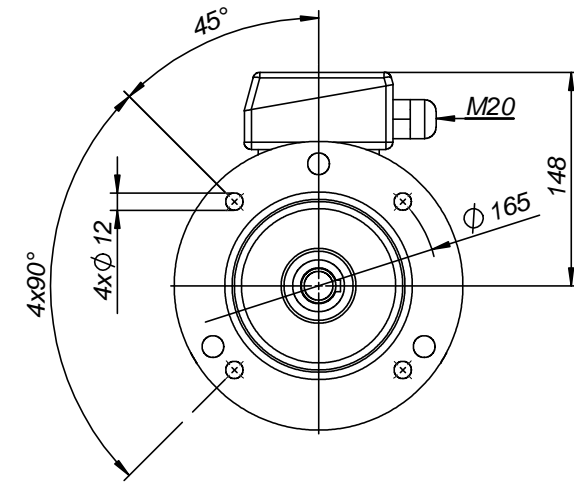
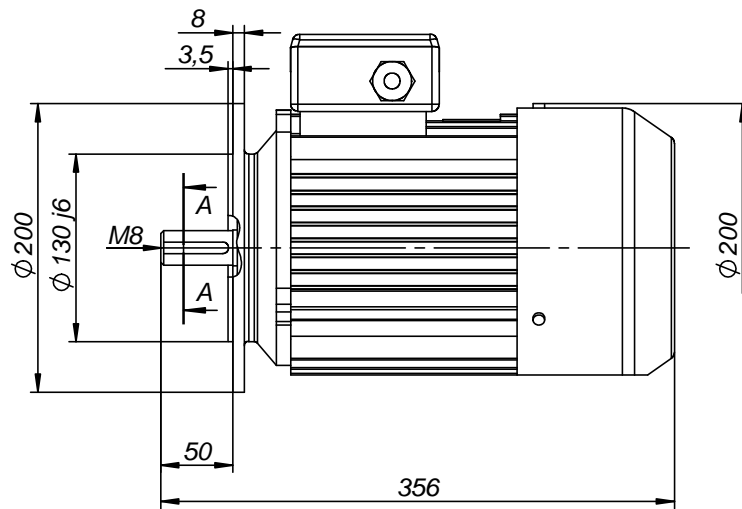
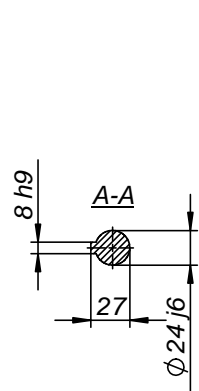
Cantoni[®]
GROUP

Drawing no.

S-1957-01-2016

Scale

1:5



Motor type

3SIEK90L4,6-B5

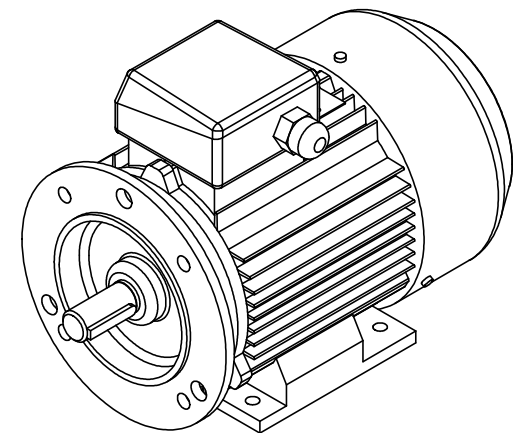
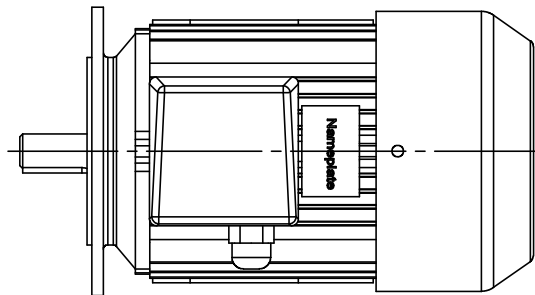
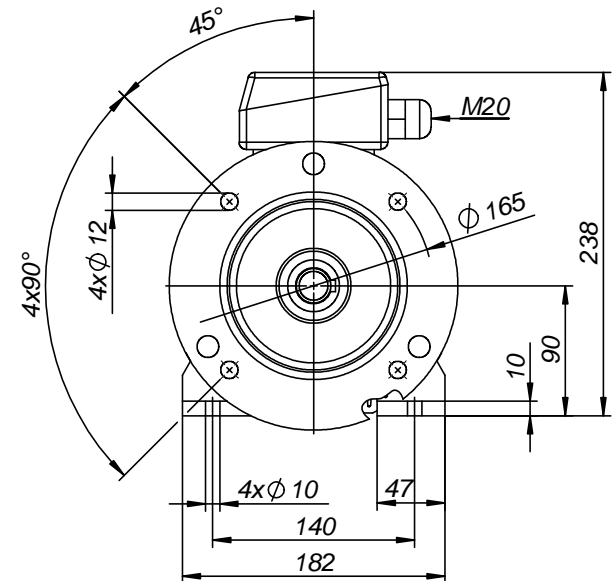
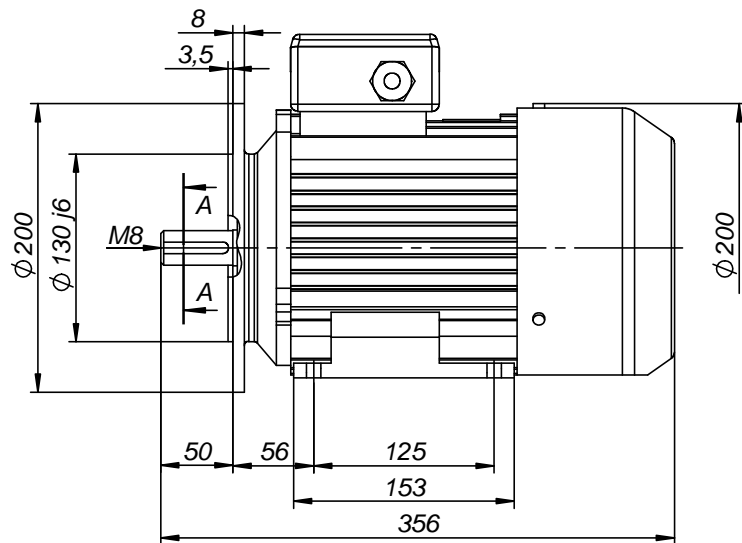
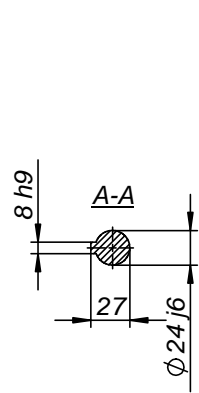
Drawing no.

S-1943-01-2016

Scale

1:5





Motor type

3SIEL90L4,6-B35



Drawing no.

S-1950-01-2016

Scale

1:5