

Motor type

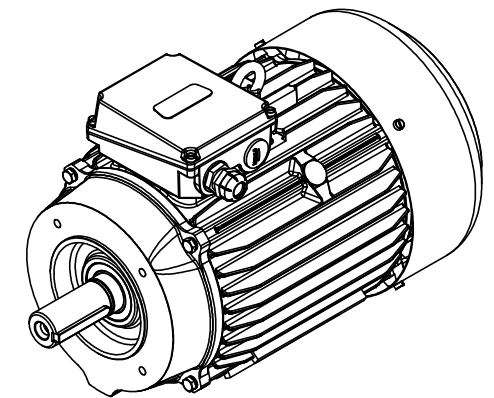
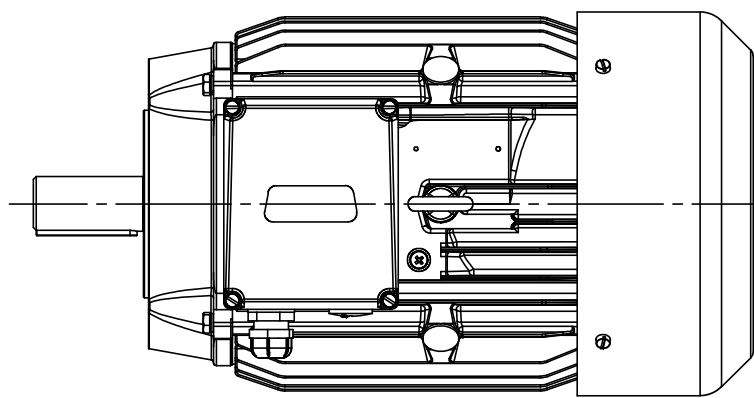
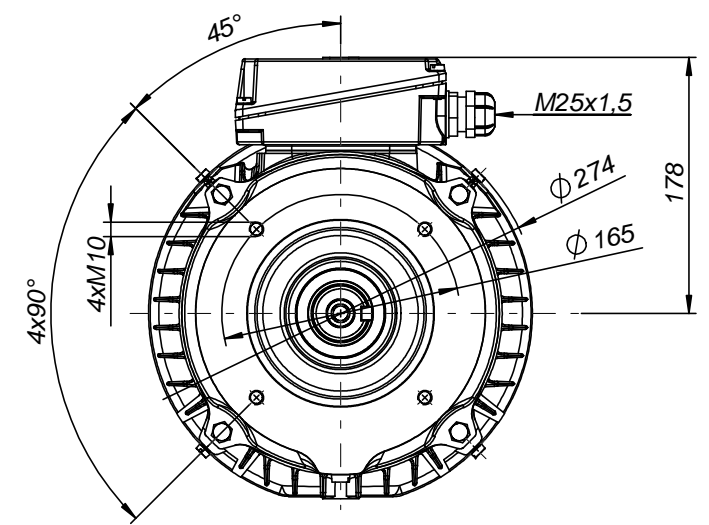
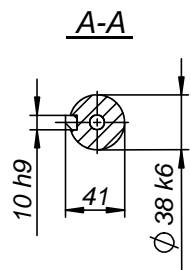
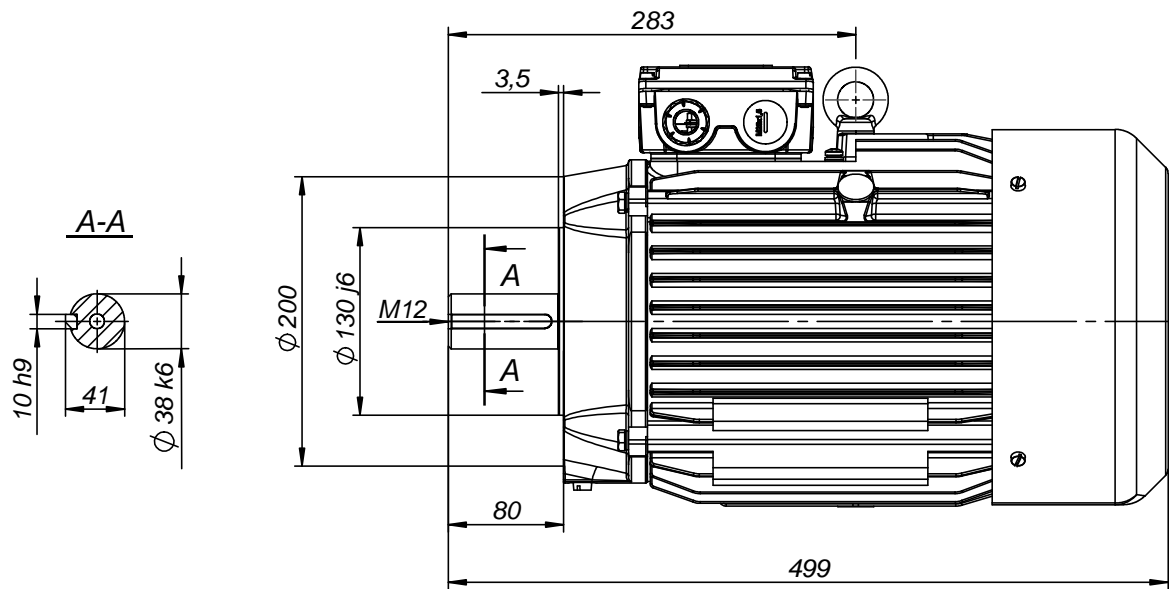
**Sg 132M-B3**

Drawing no.

**S-009-01-2008**

Scale

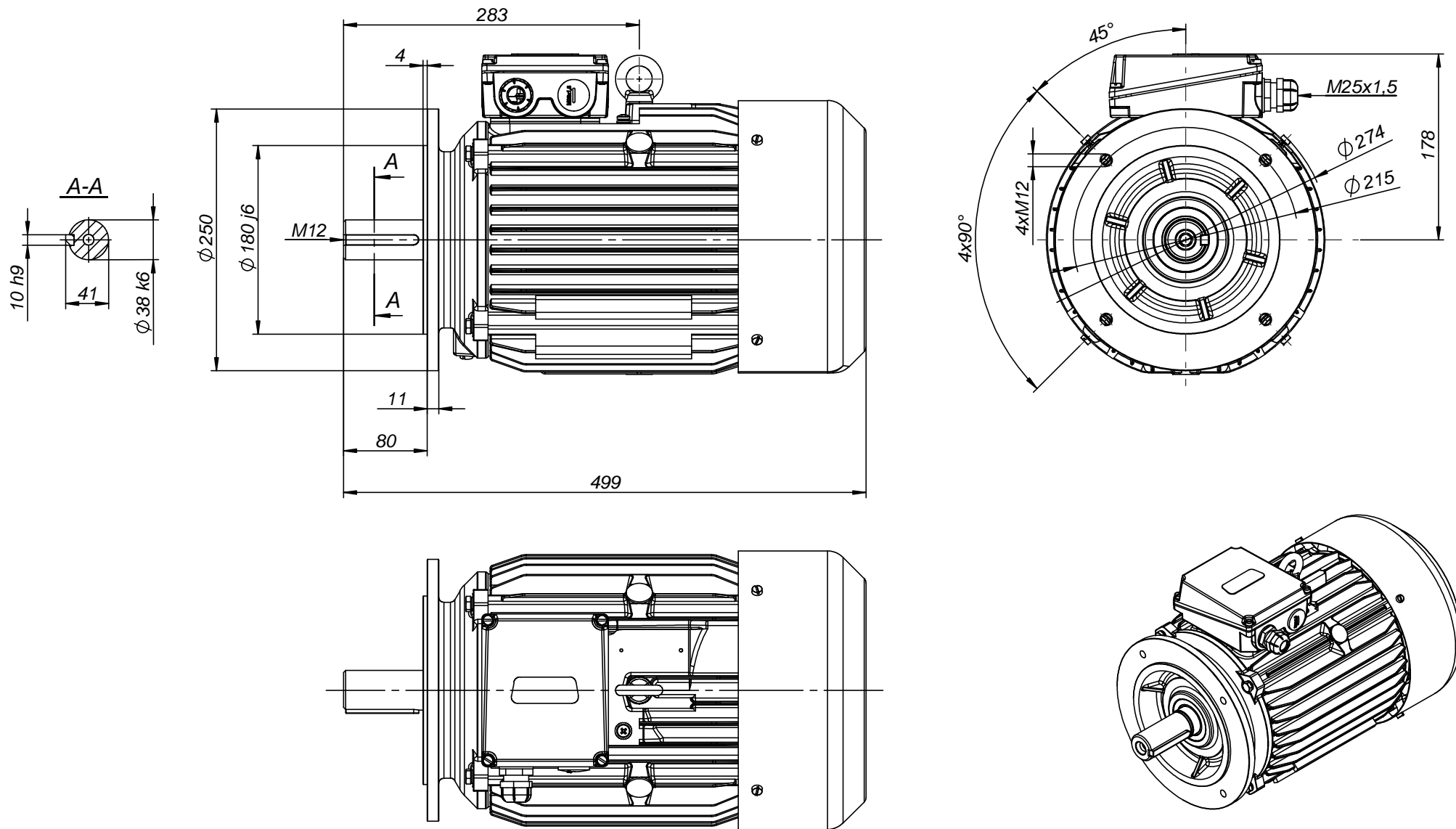
**1:5**



Motor type **SKg 132M-B14-C2**

Drawing no. **S-058-01-2008**

Scale **1:5**



Motor type

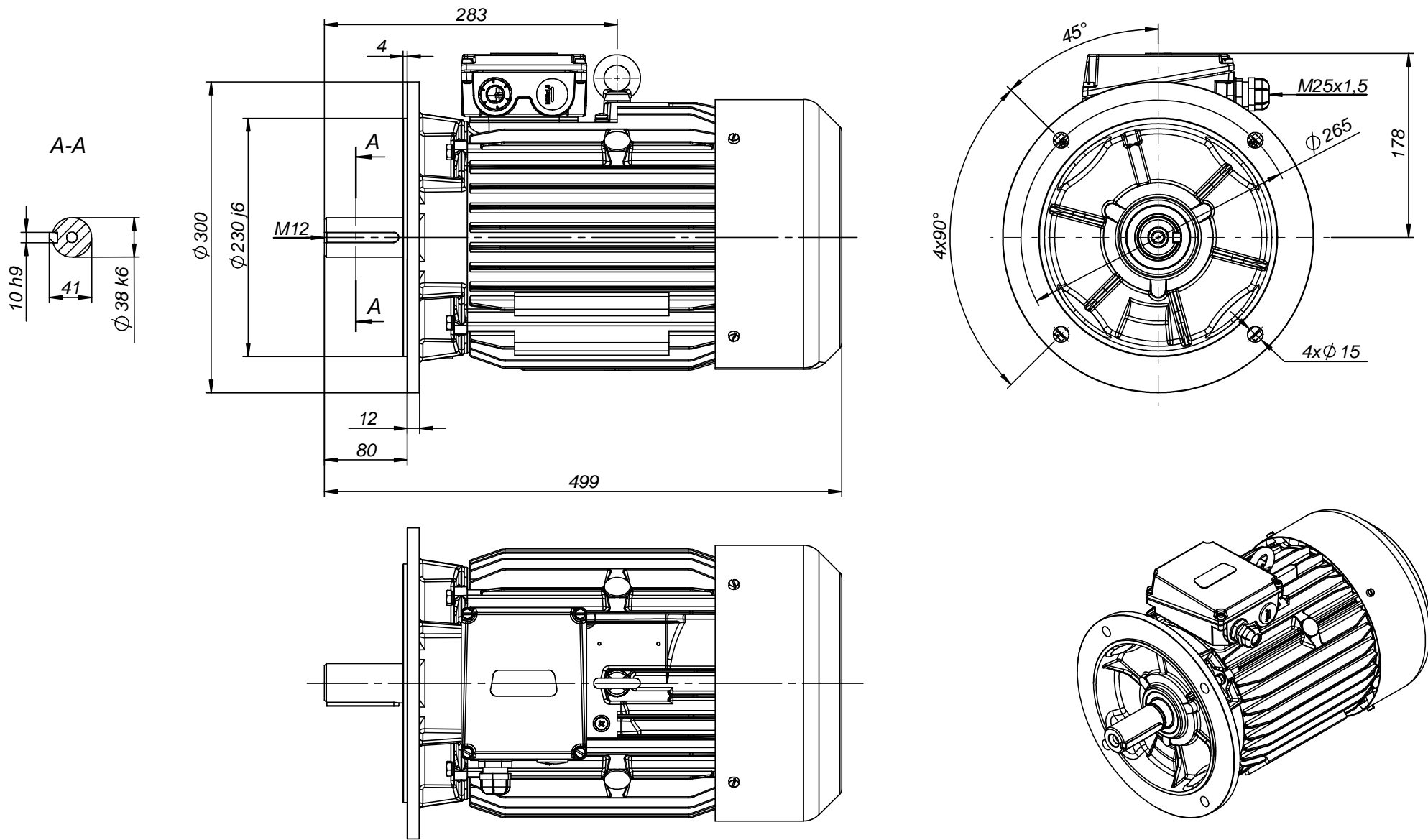
**SKg 132M-B14-C1**

Drawing no.

**S-049-01-2008**

Scale

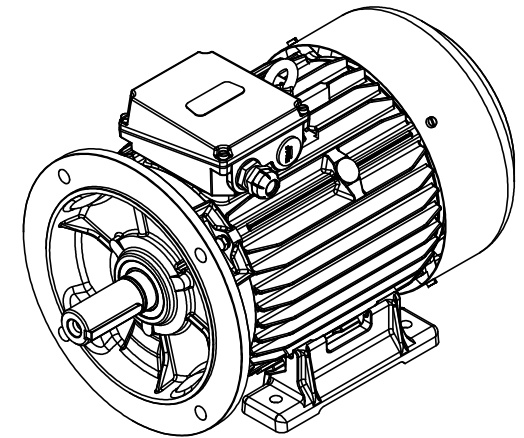
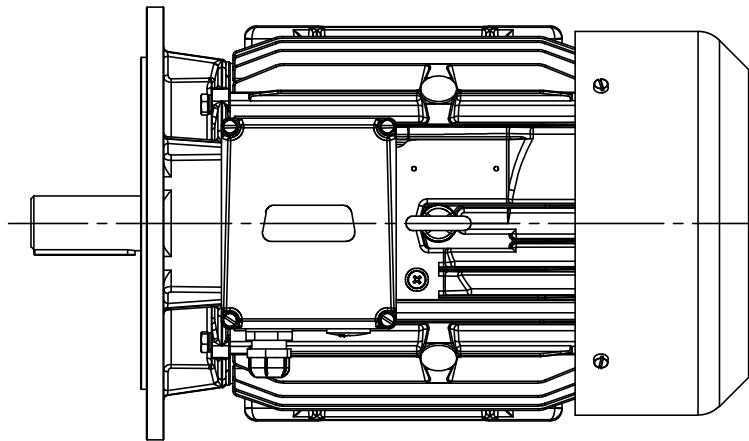
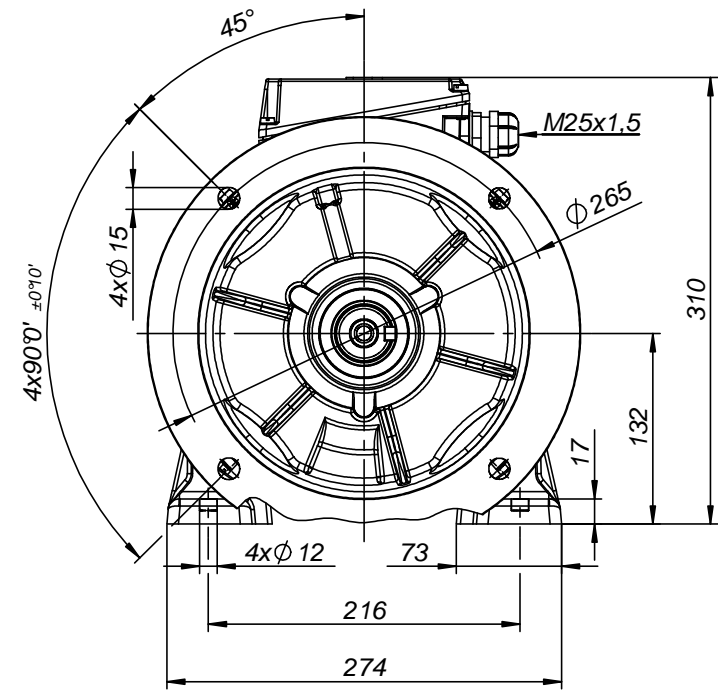
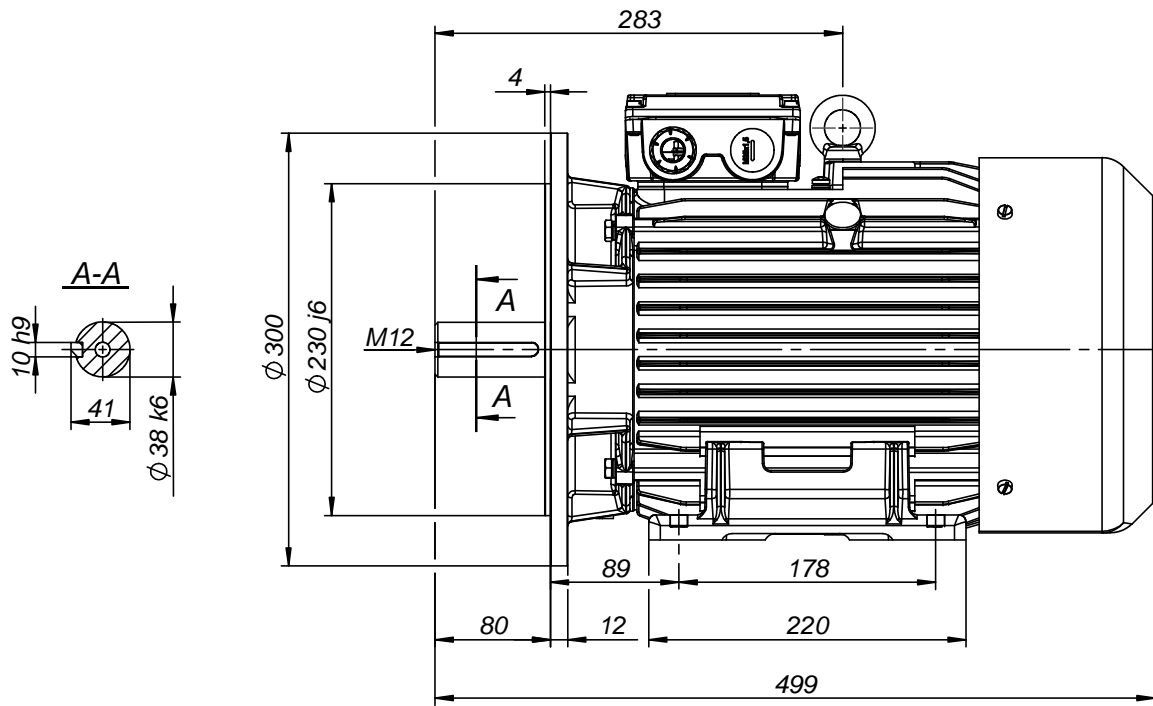
**1:5**



Motor type  
**SKg 132M-B5**

Drawing no.  
**S-023-01-2008**

Scale  
**1:5**



Motor type

***SLg 132M-B35***

Drawing no.

***S-037-01-2008***

Scale

***1:5***