

Motor type

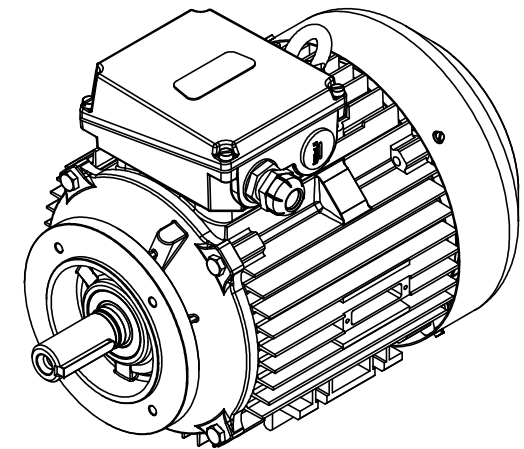
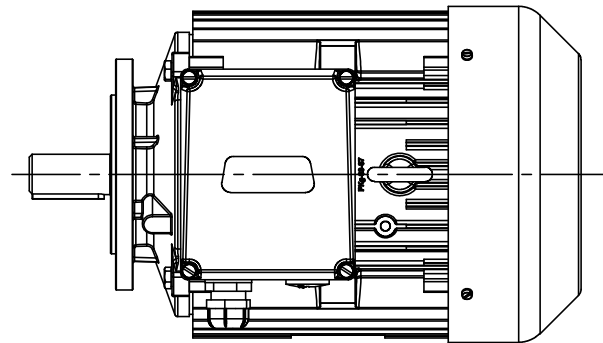
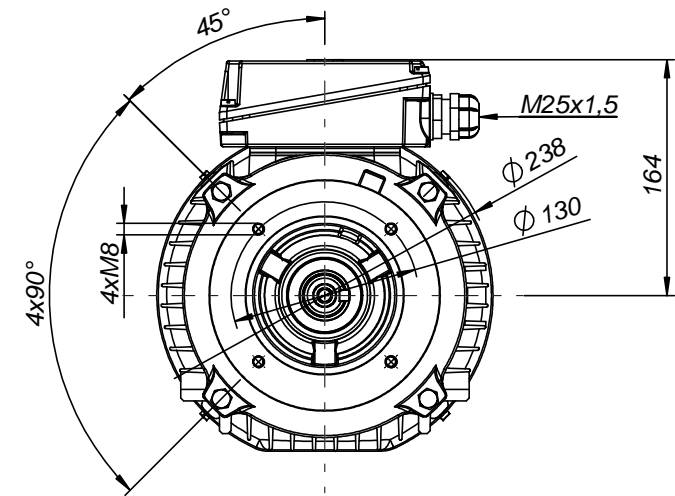
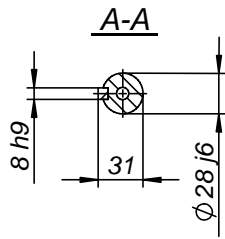
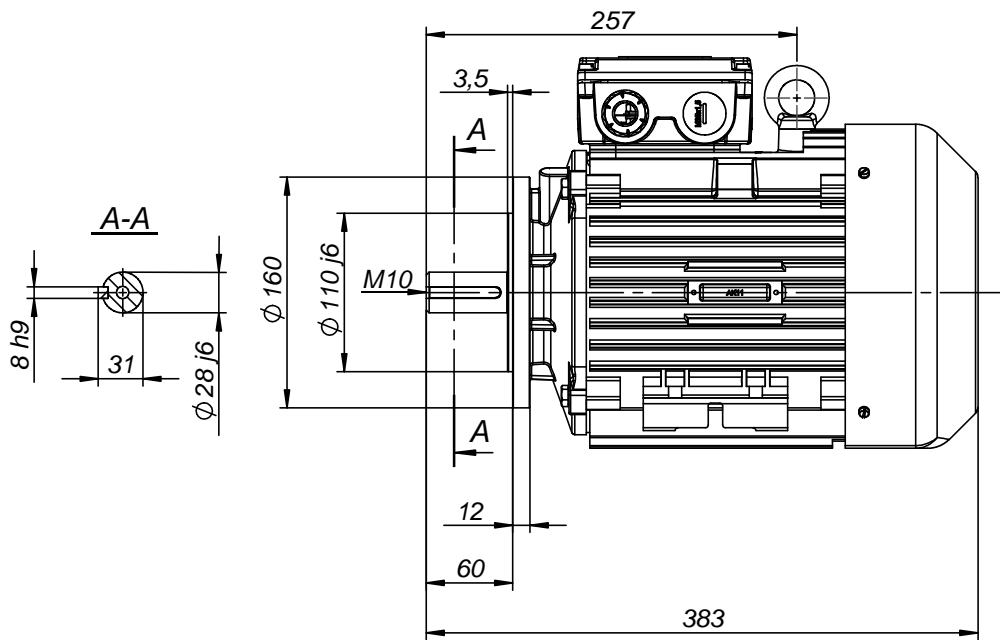
Sg 112M-B3

Drawing no.

S-006-01-2008

Scale

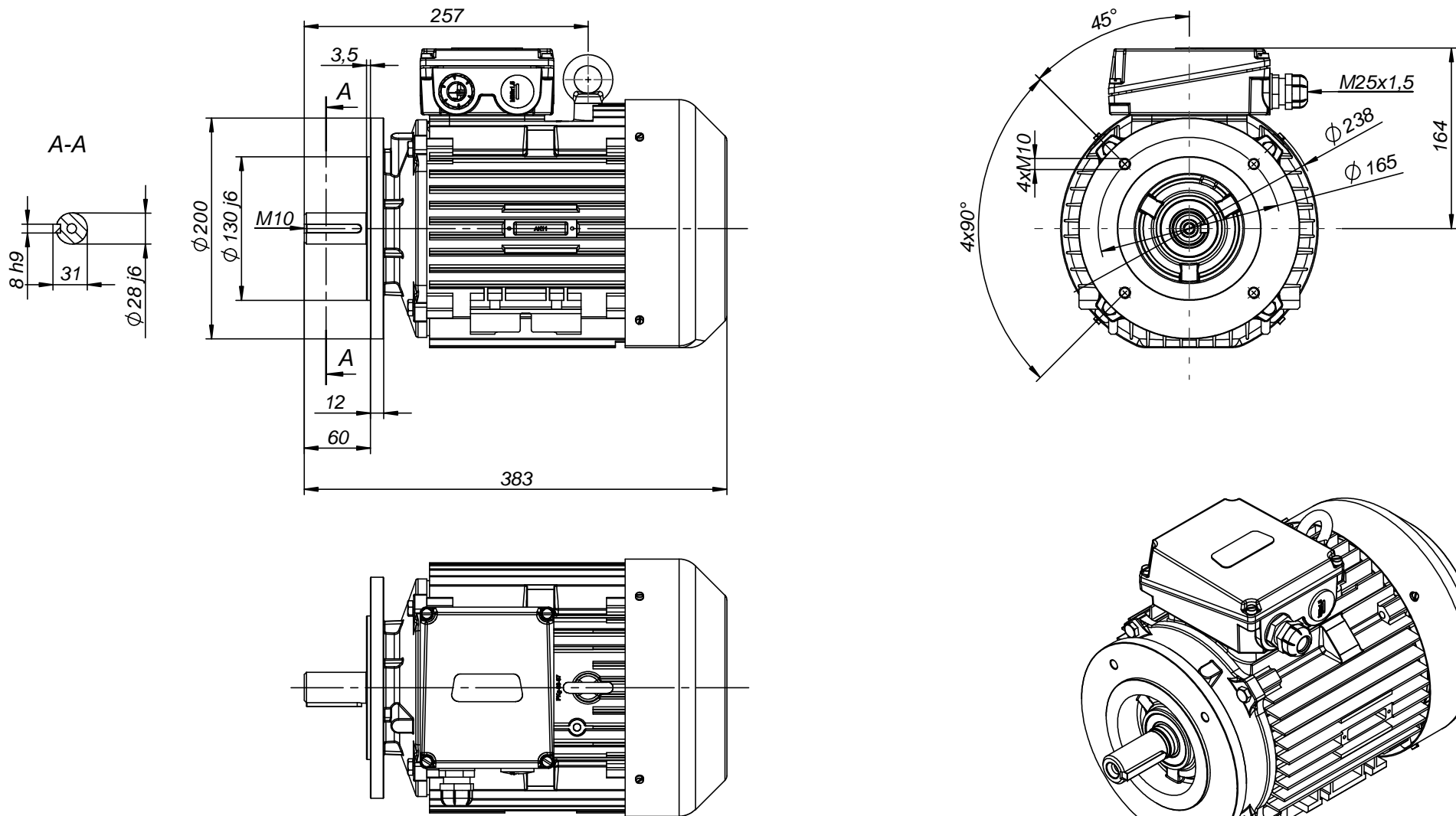
1:5



Motor type **SKg 112M-B14-C2**

Drawing no. **S-055-01-2008**

Scale **1:5**



Motor type

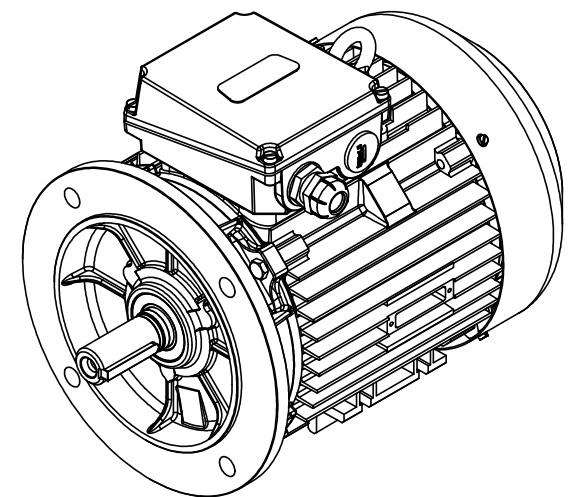
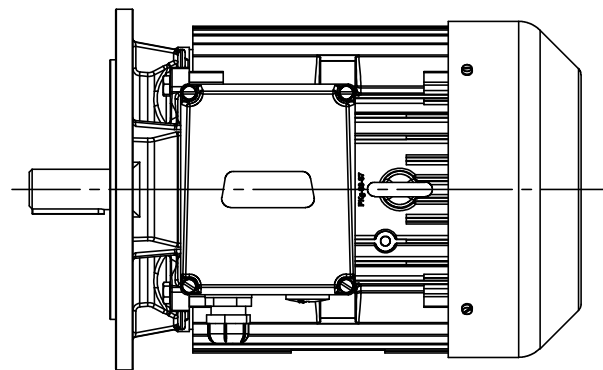
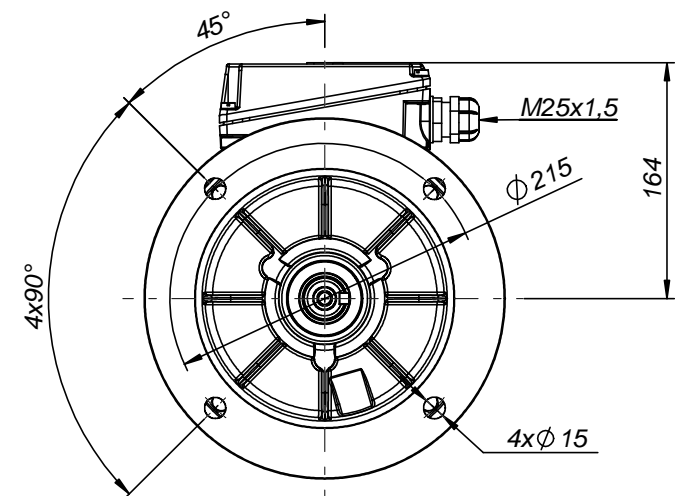
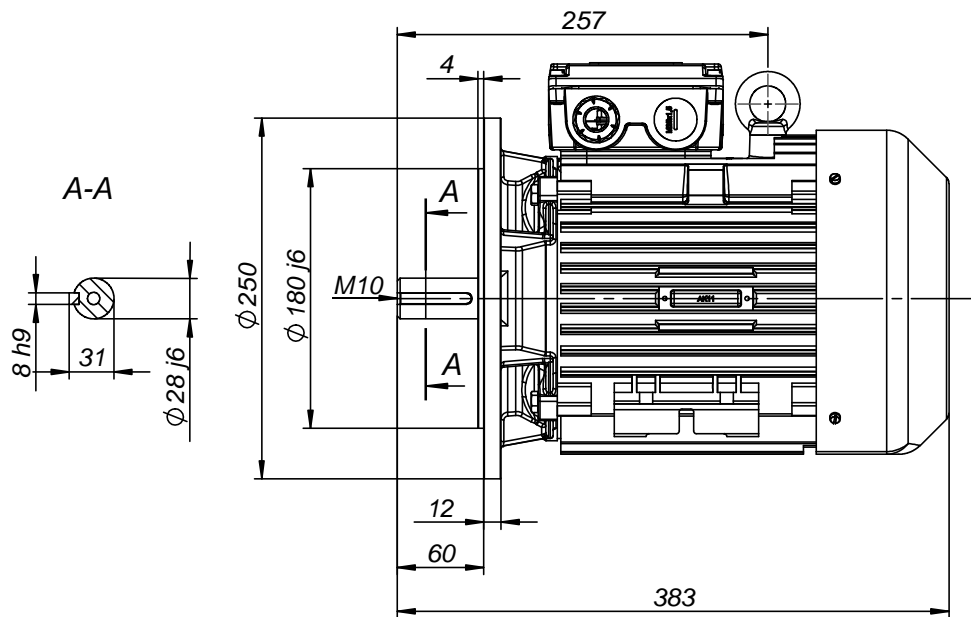
SKg 112M-B14-C1

Drawing no.

S-046-01-2008

Scale

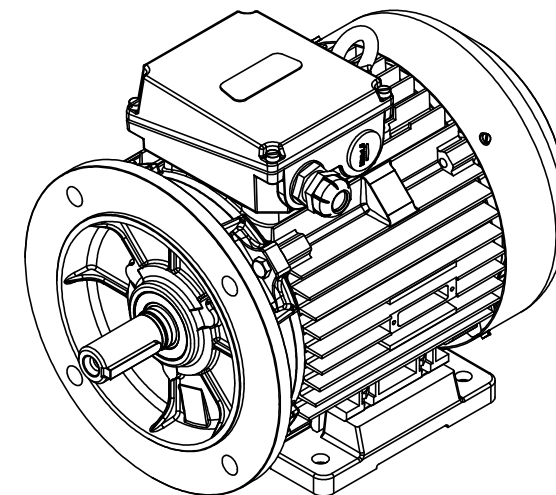
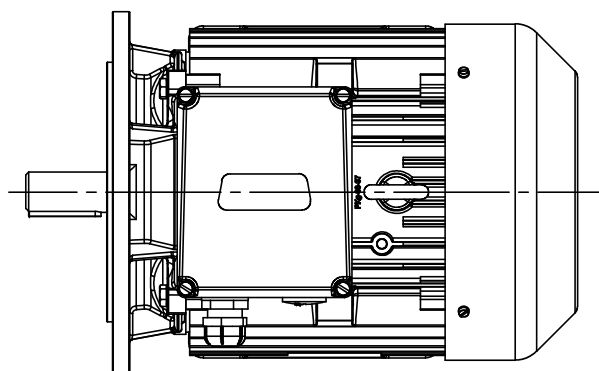
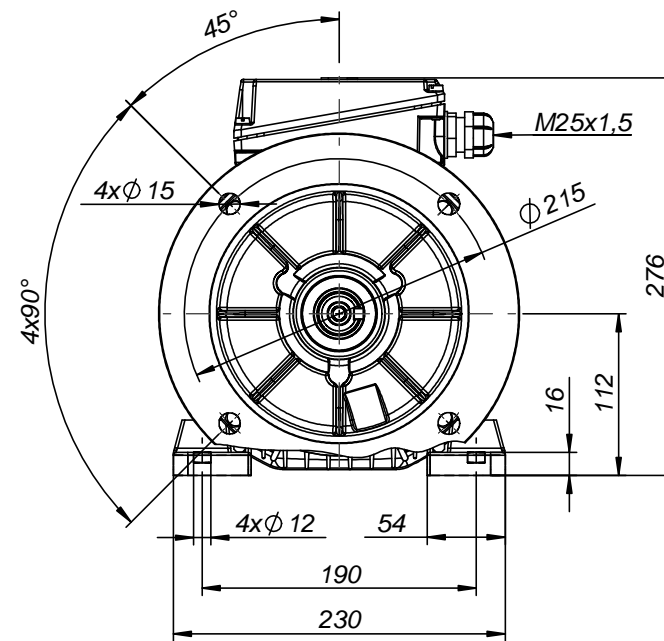
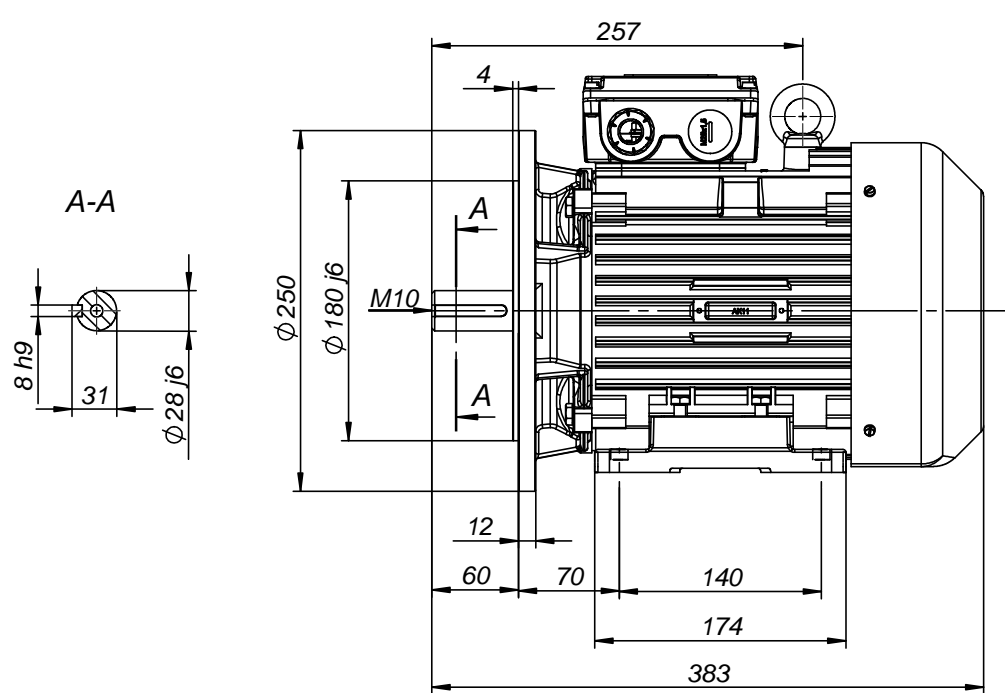
1:5



Motor type **SKg 112M-B5**

Drawing no. **S-020-01-2008**

Scale **1:5**



Motor type

SLg 112M-B35

Drawing no.

S-034-01-2008

Scale

1:5