

Motor type

3SIE112M4-B3

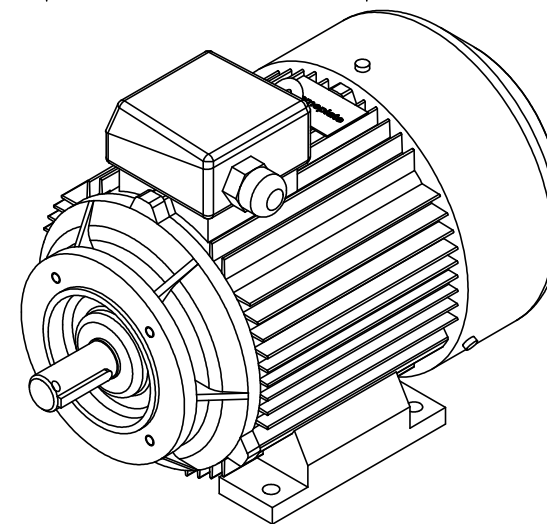
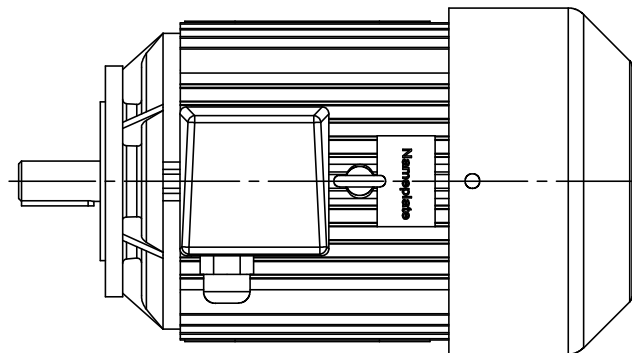
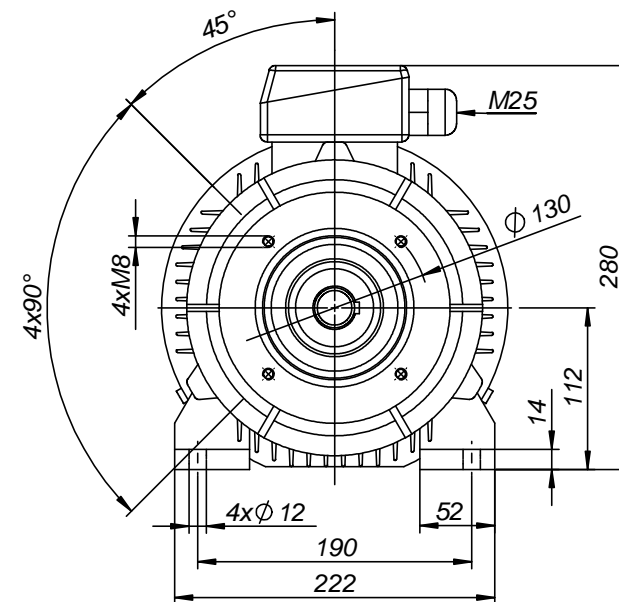
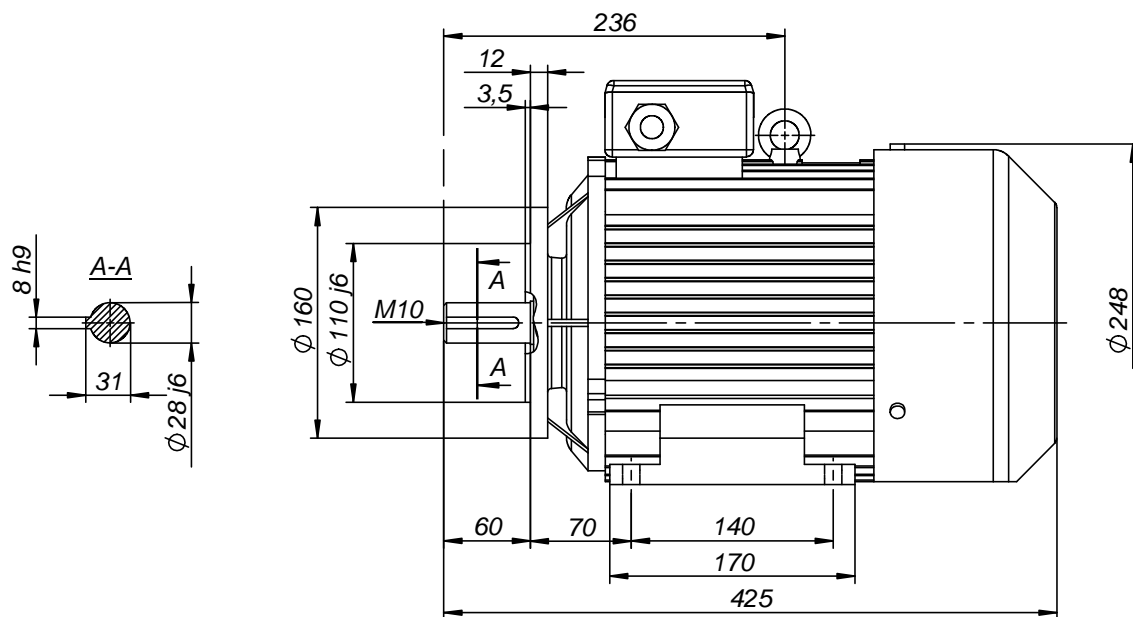


Drawing no.

S-1941-01-2016

Scale

1:5



CELMA
indukt

Motor type

3SIEL112M4-B34-C2

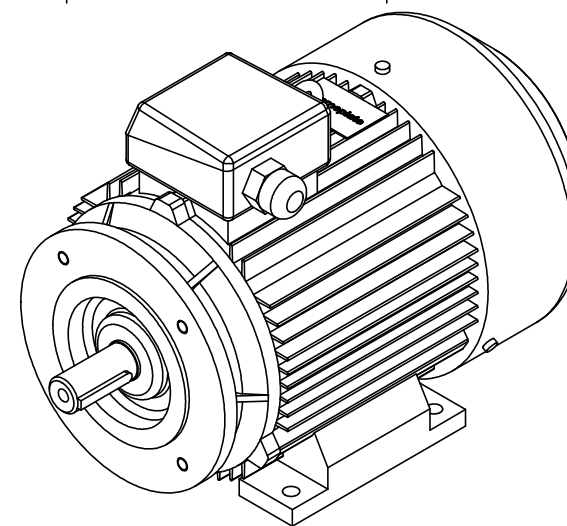
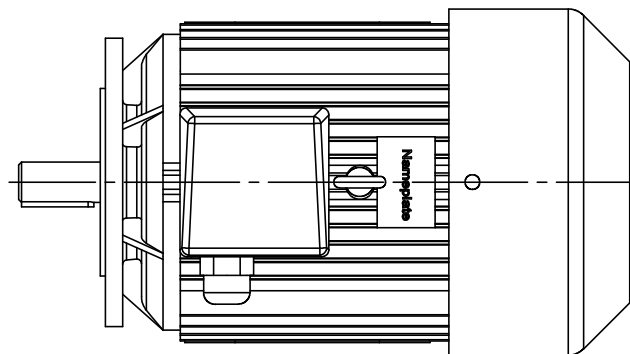
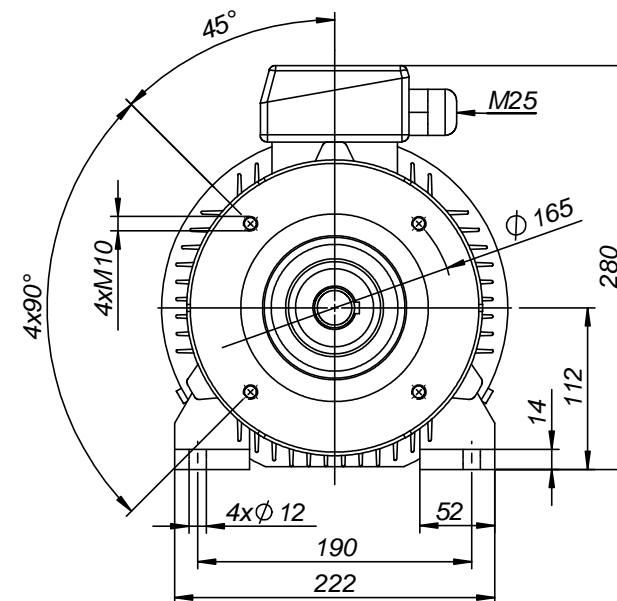
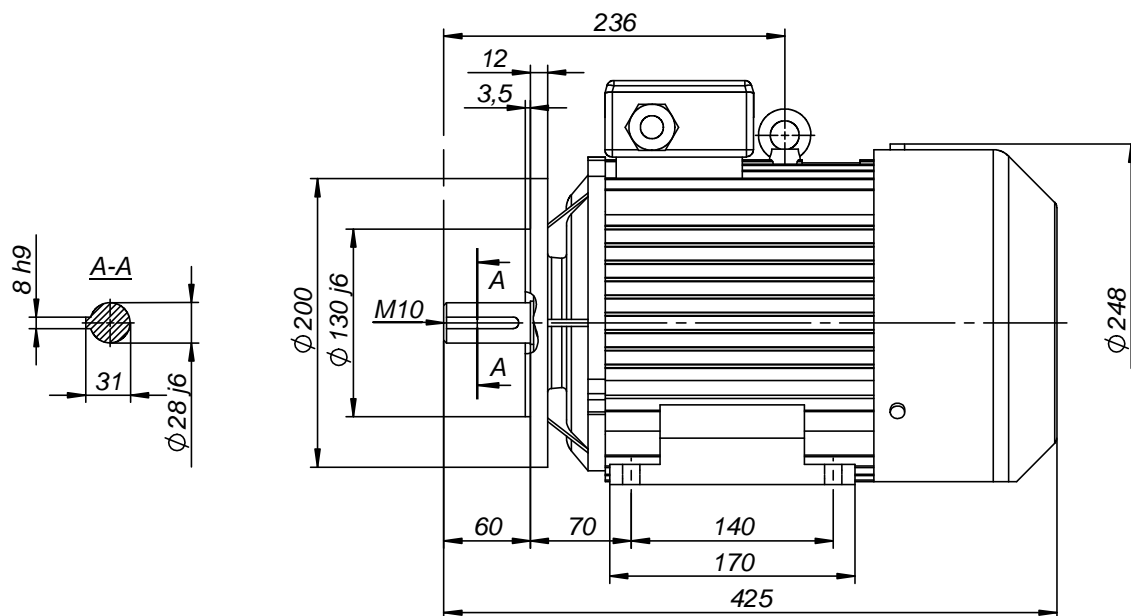
Cantoni[®]
GROUP

Drawing no.

S-1980-01-2016

Scale

1:5



Motor type

3SIEL112M4-B34-C1

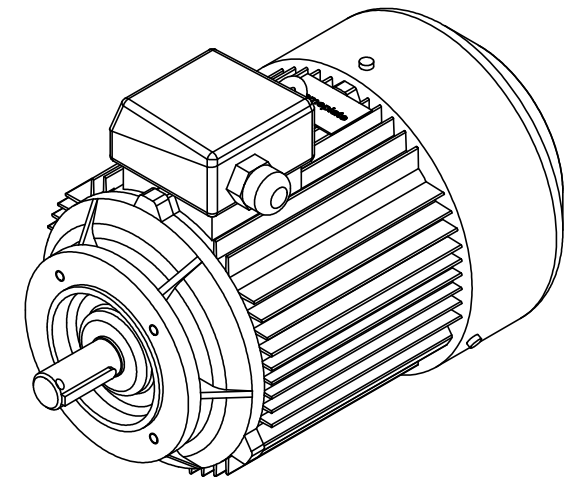
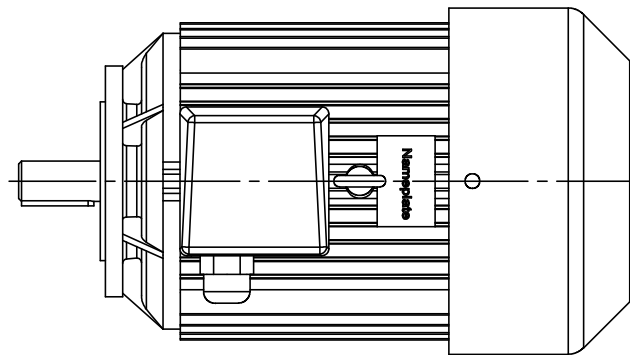
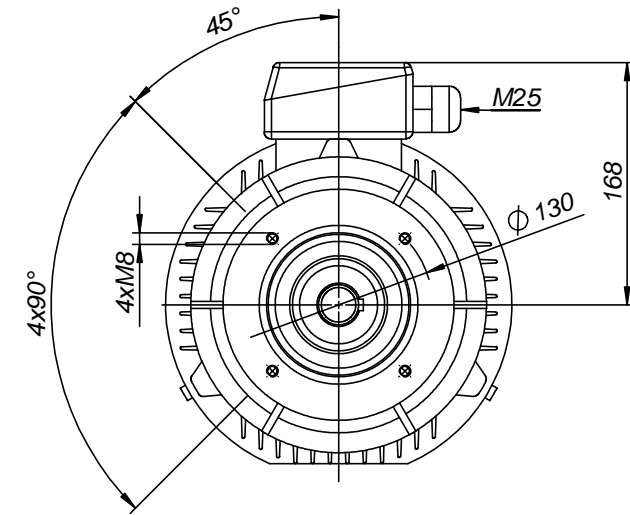
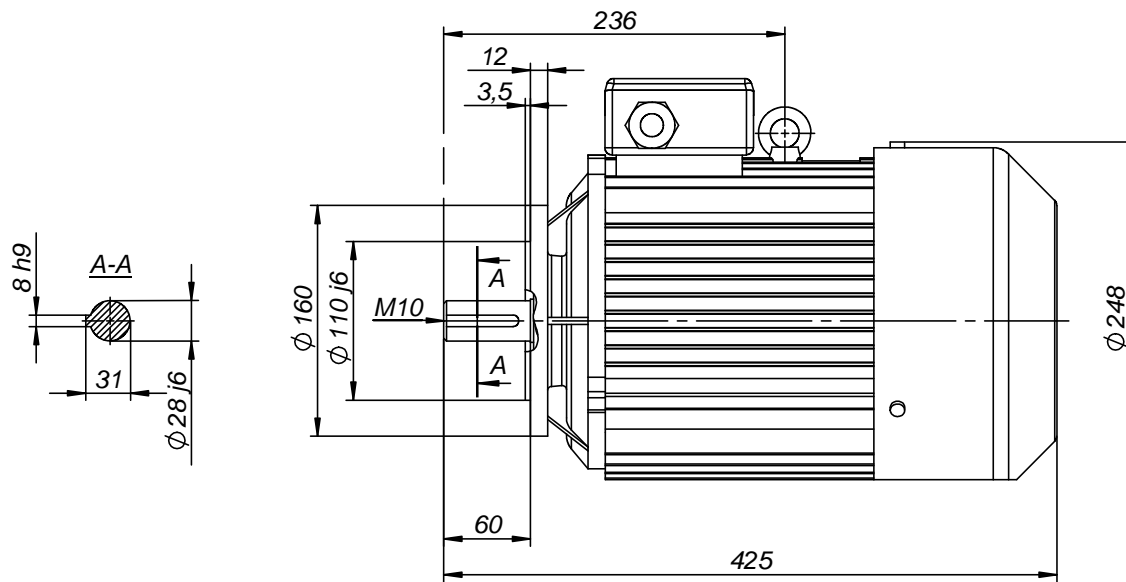
Drawing no.

S-1979-01-2016

Scale

1:5





Motor type

3SIEK112M4-B14-C2

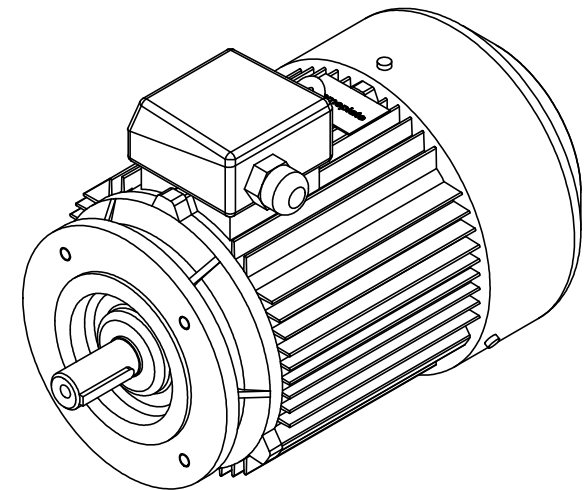
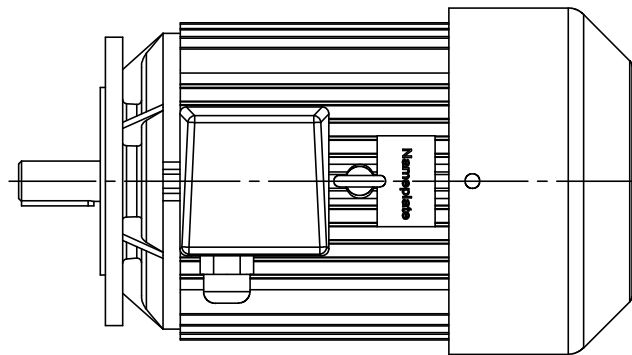
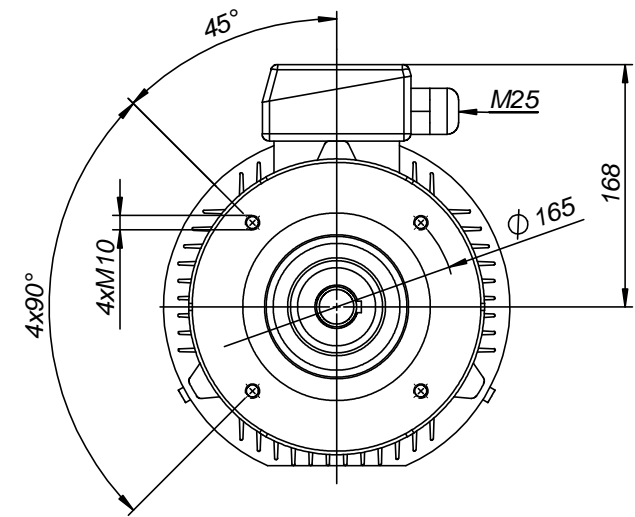
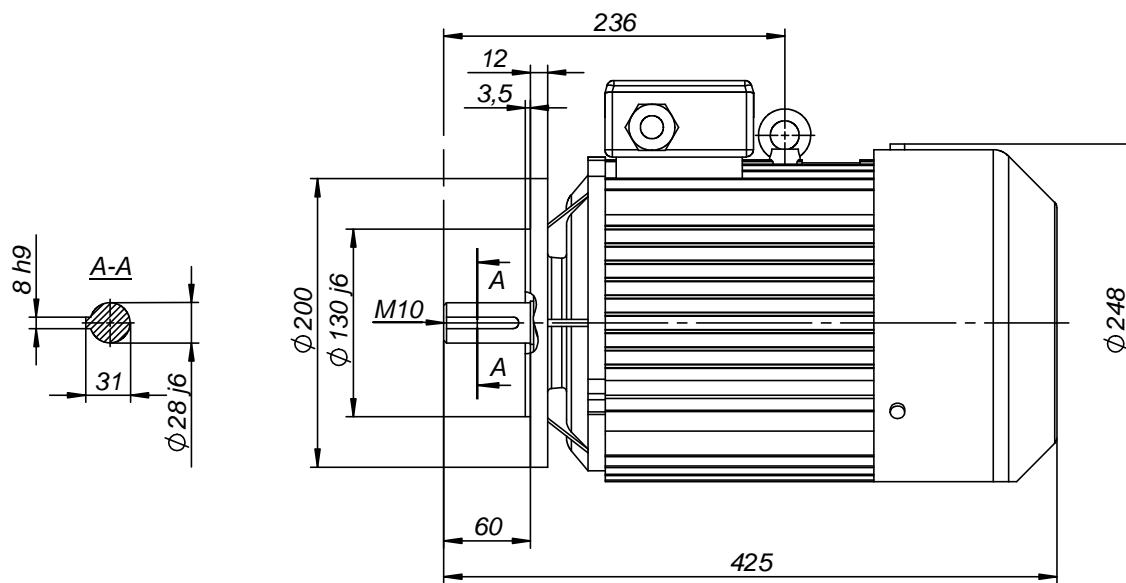
Drawing no.

S-1966-01-2016

Scale

1:5





CELMA
indukta

Motor type

3SIEK112M4-B14-C1

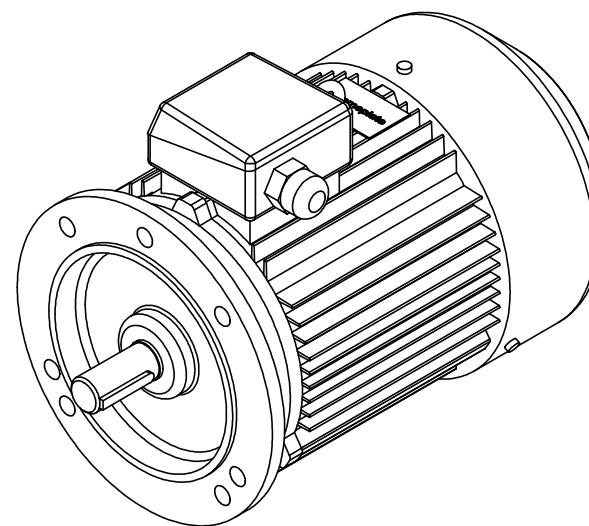
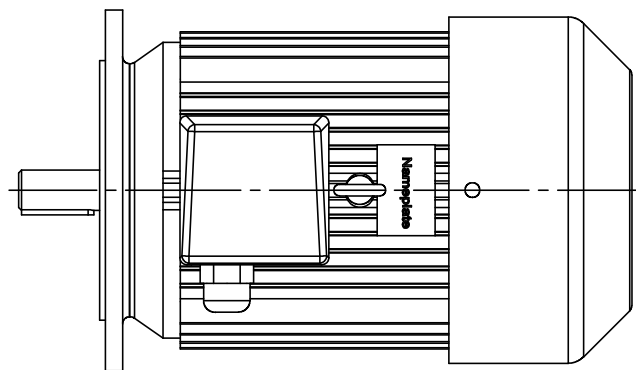
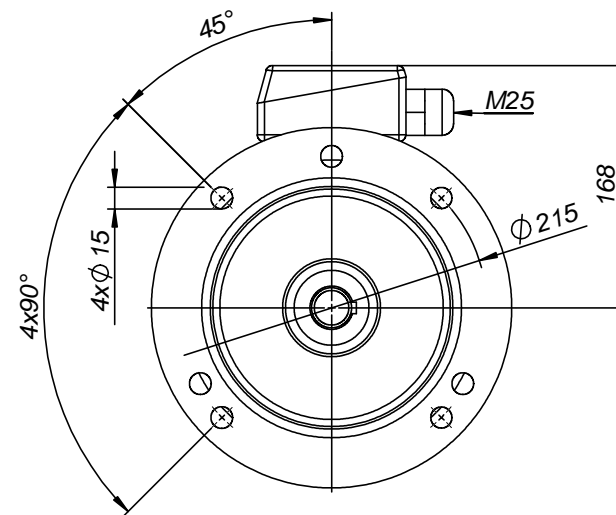
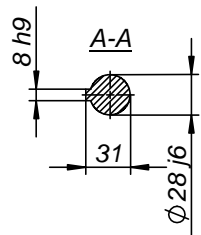
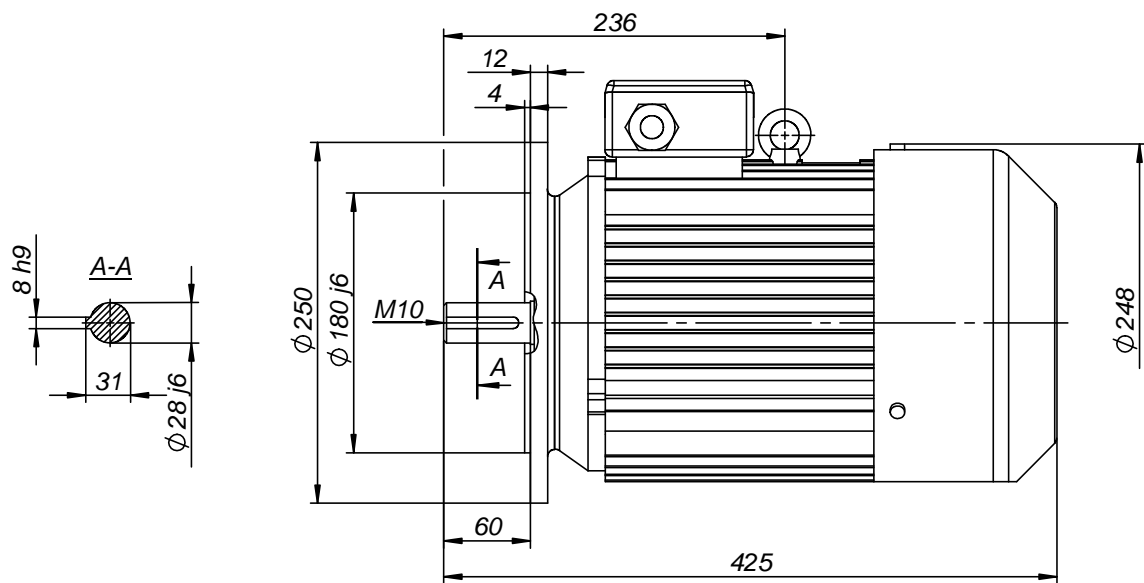
Drawing no.

S-1965-01-2016

Scale

1:5

Cantoni[®]
GROUP



CELMA
indukta

Motor type

3SIEK112M4-B5

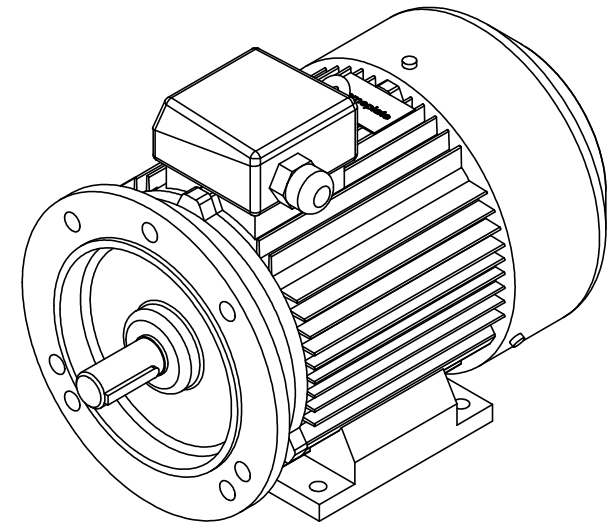
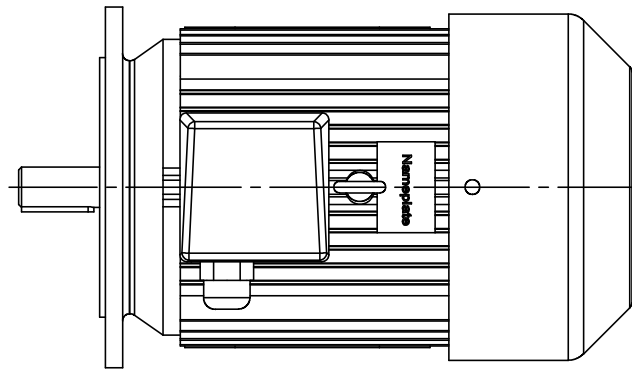
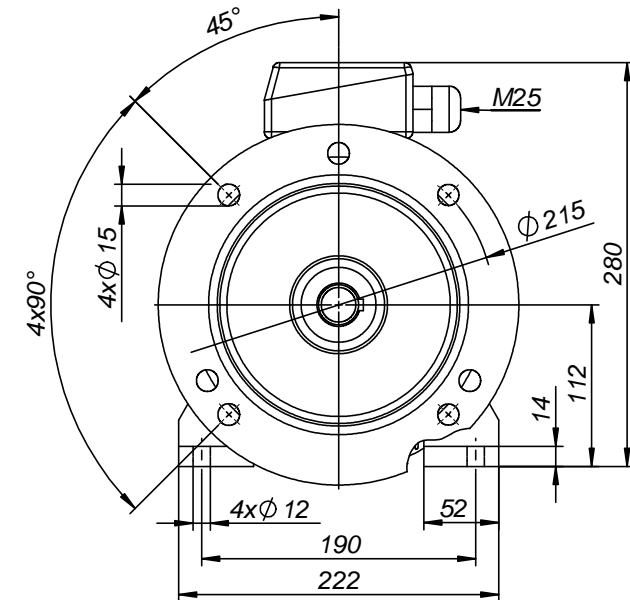
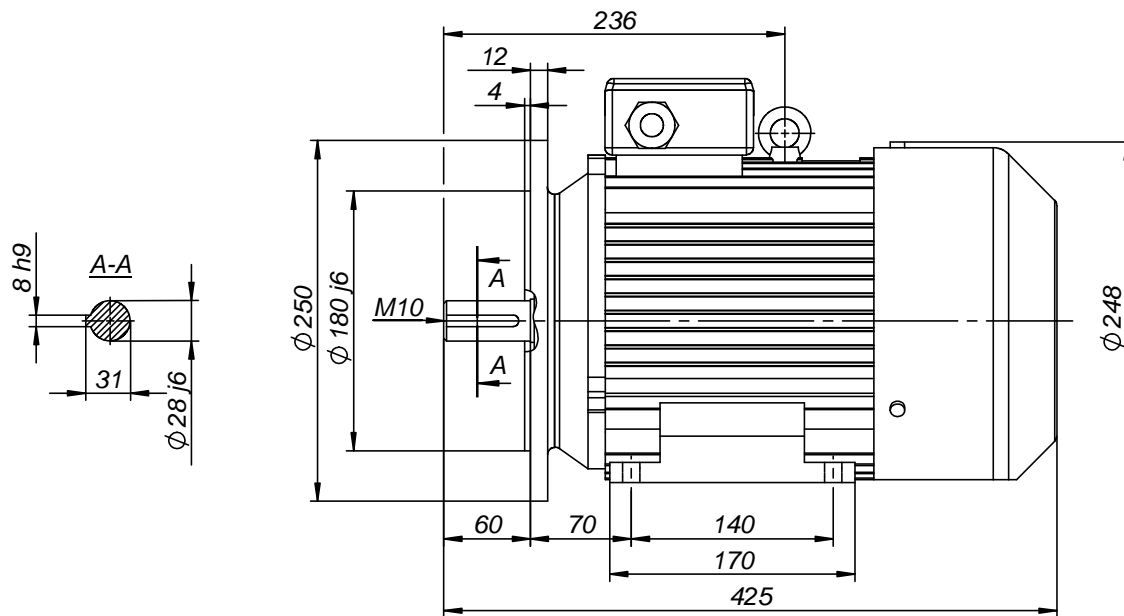
Drawing no.

S-1947-01-2016

Scale

1:5

Cantoni[®]
GROUP



CELMA
induktiva

Cantoni[®]
GROUP

Motor type

3SIEL112M4-B35

Drawing no.

S-1954-01-2016

Scale

1:5