

Motor type

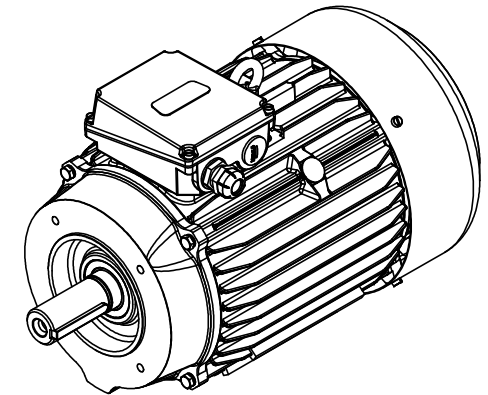
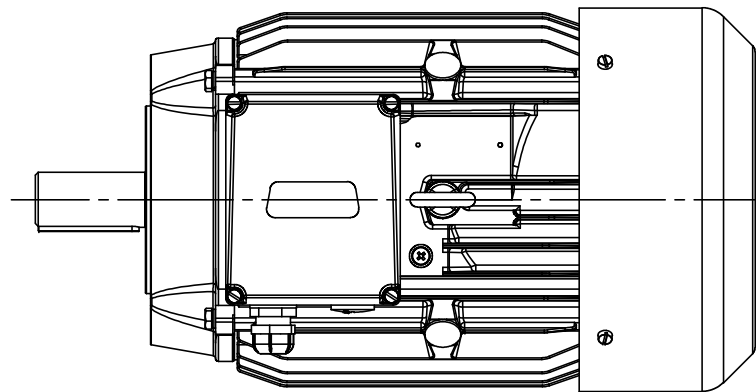
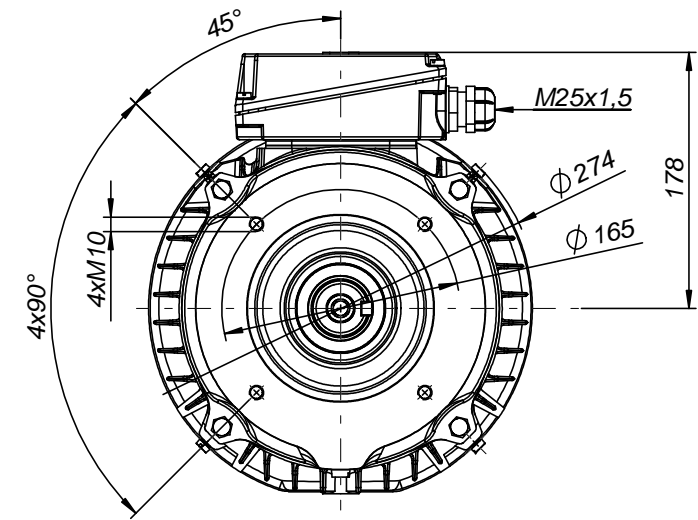
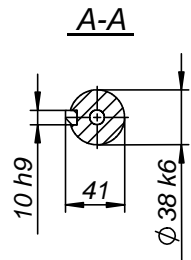
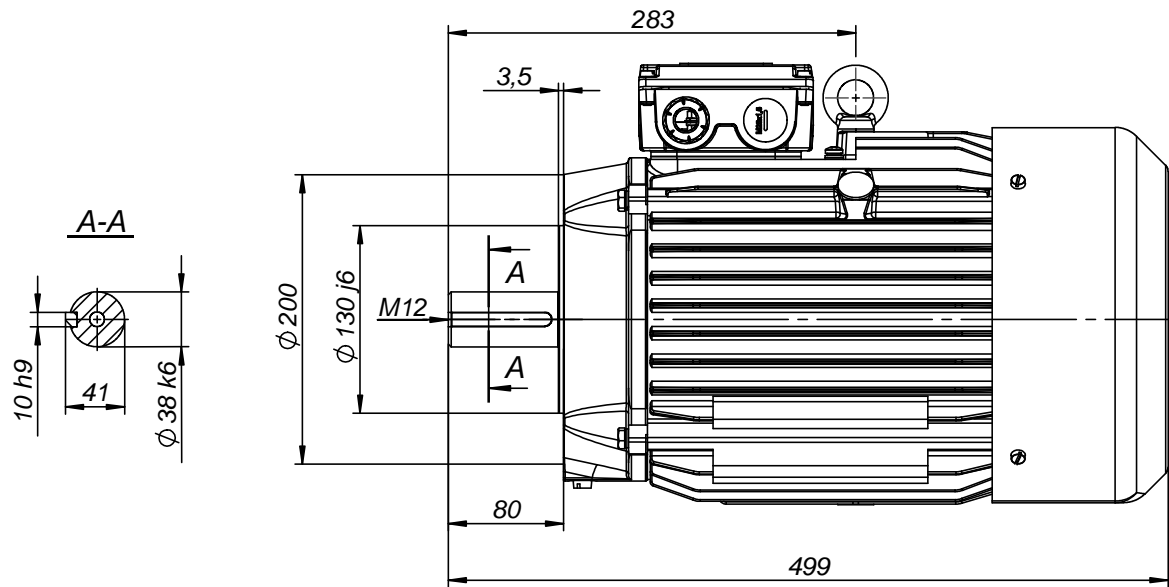
Sg 132S-2B-B3

Drawing no.

S-008-01-2008

Scale

1:5



Motor type

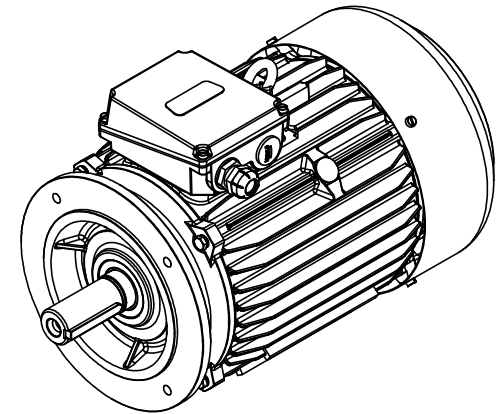
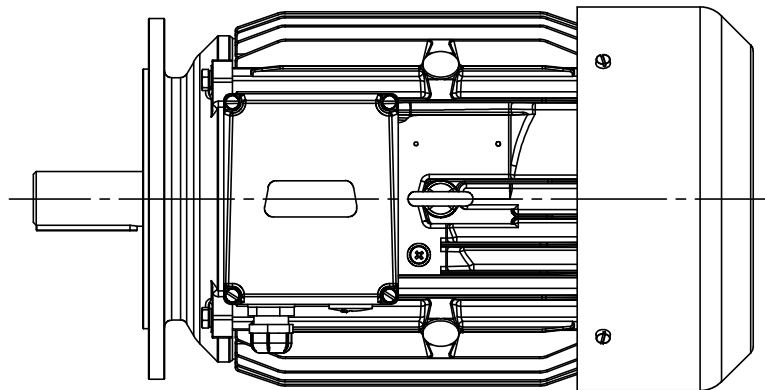
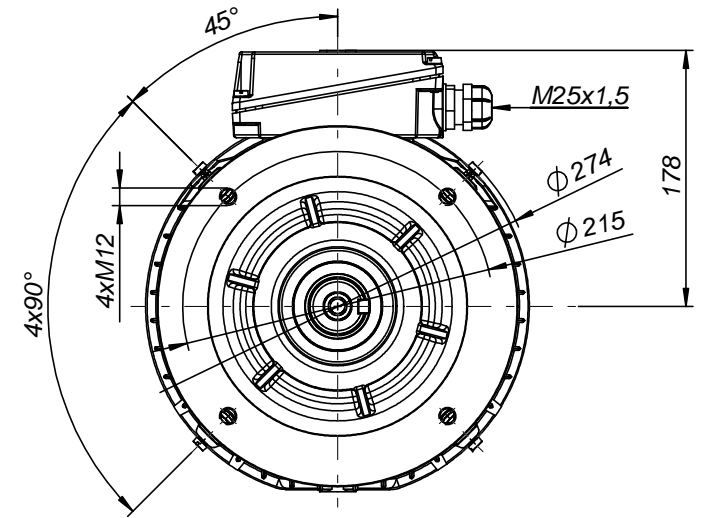
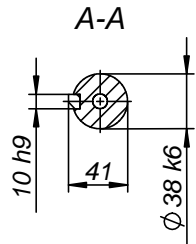
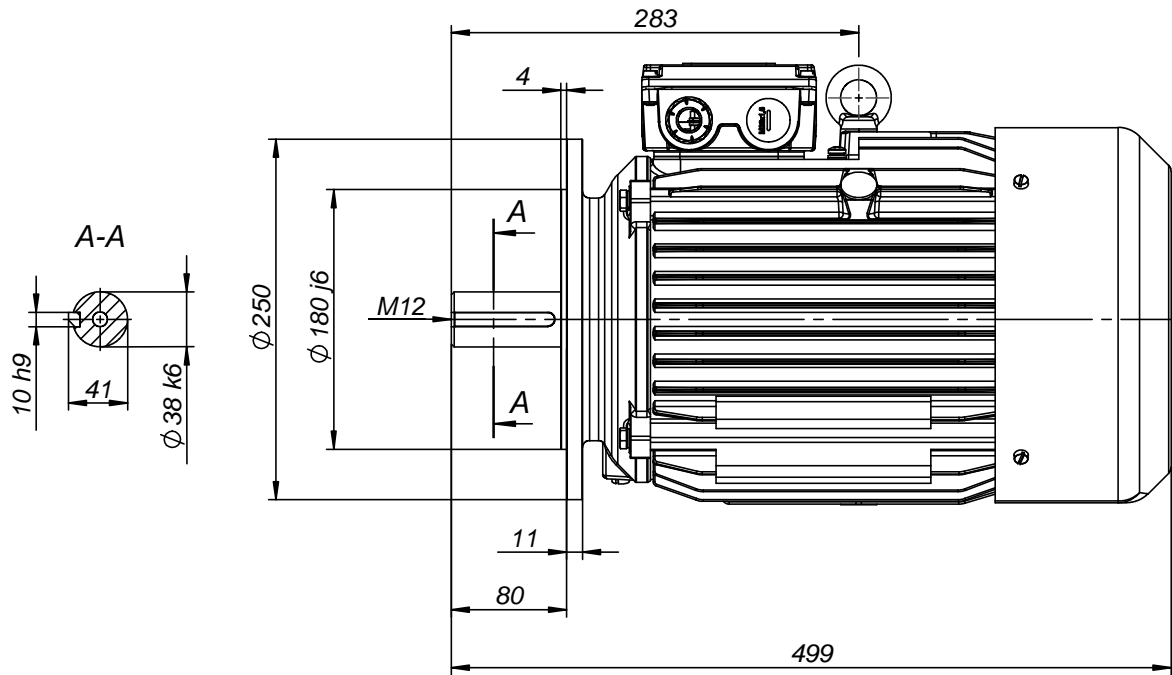
SKg 132S-2B-B14-C2

Drawing no.

S-057-01-2008

Scale

1:5



Motor type

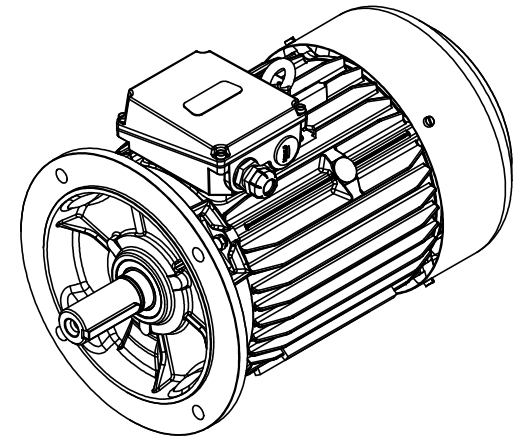
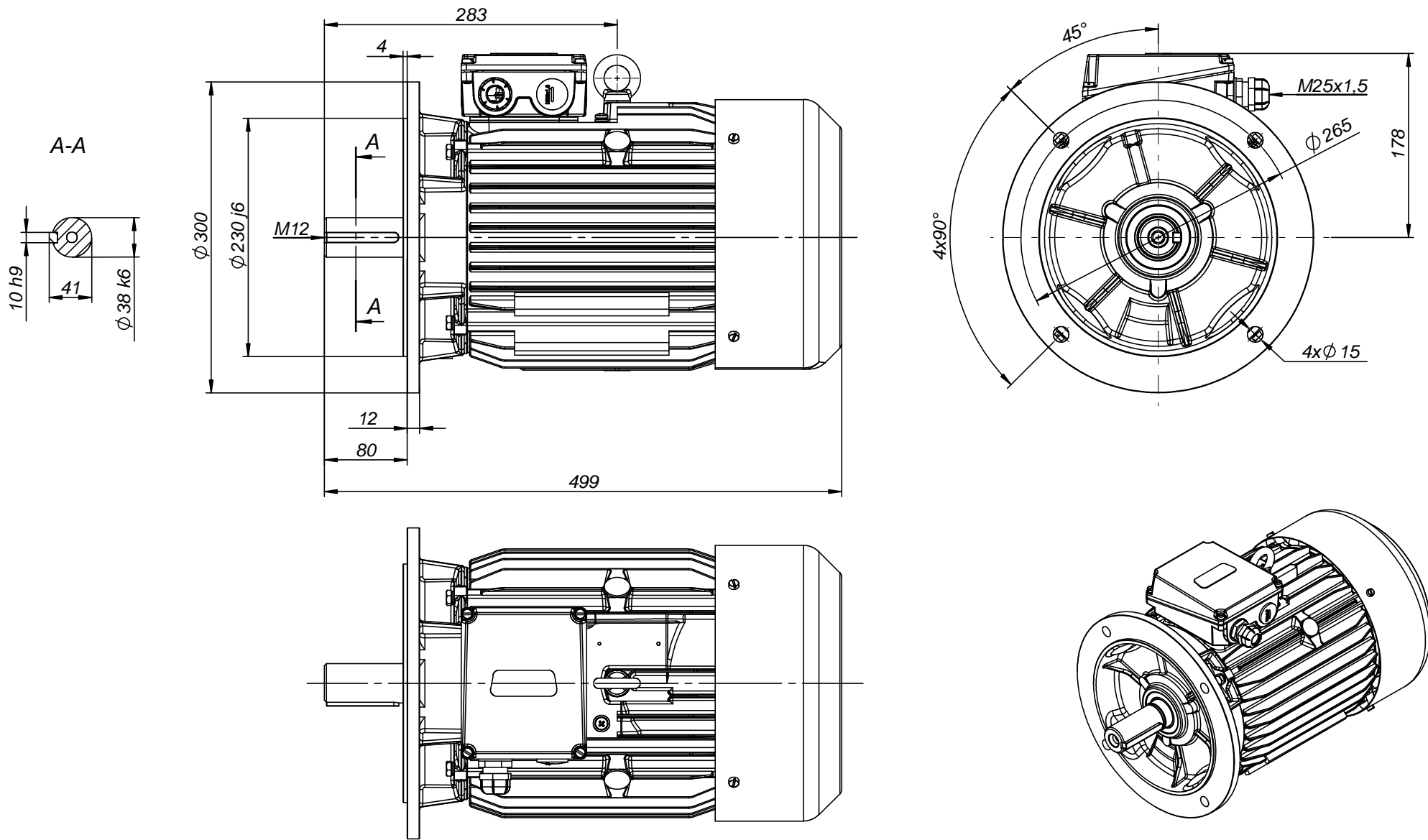
SKg 132S-2B-B14-C1

Drawing no.

S-048-01-2008

Scale

1:5



Motor type

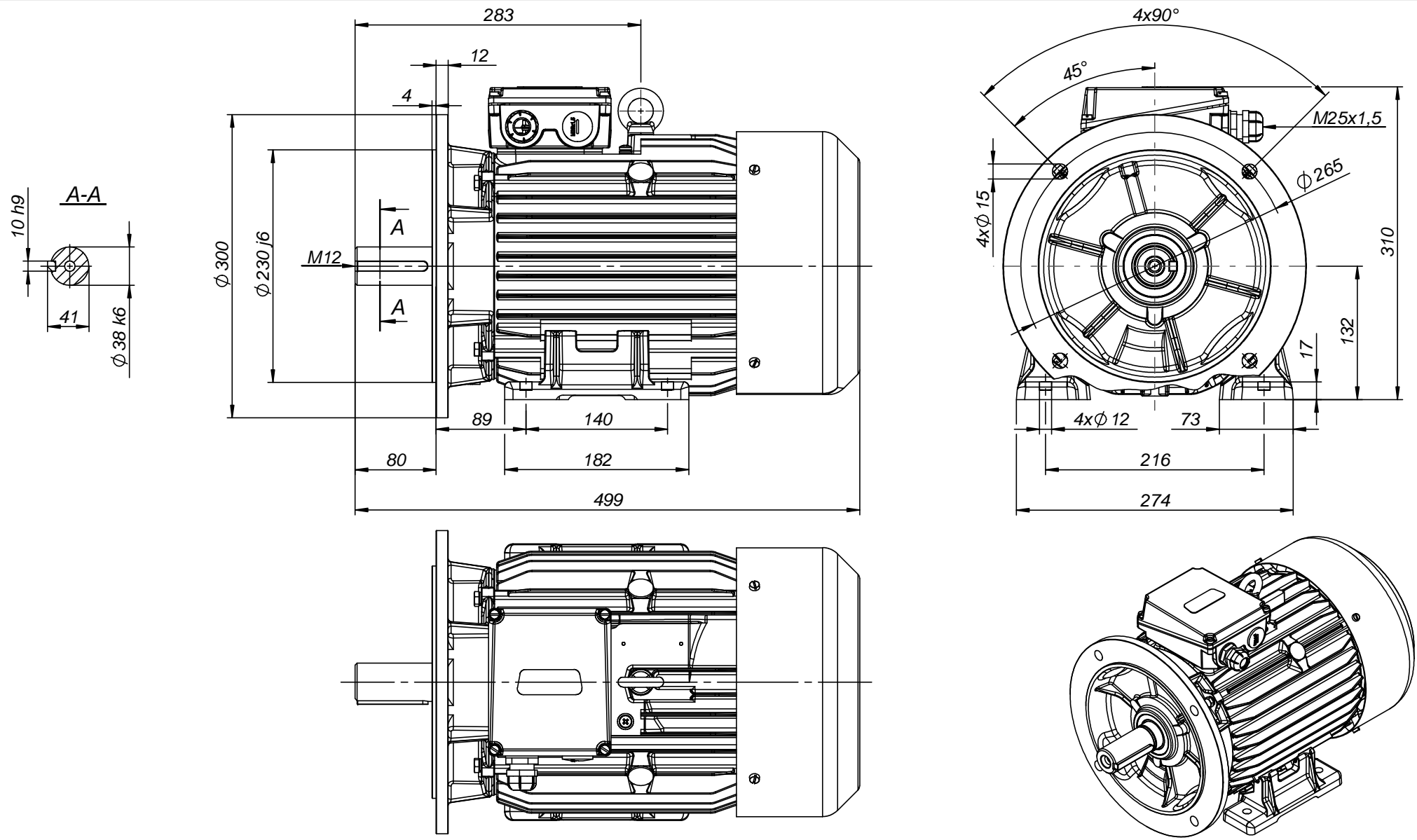
SKg 132S-2B-B5

Drawing no.

S-022-01-2008

Scale

1:5



Motor type **SLg 132S-2B-B35**

Drawing no. **S-036-01-2008**

Scale **1:5**