

Motor type

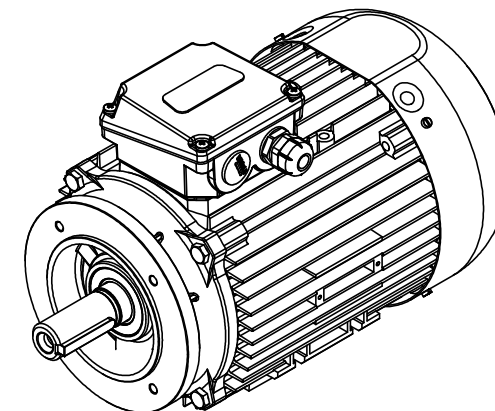
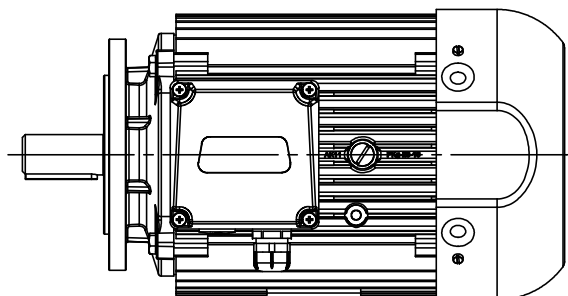
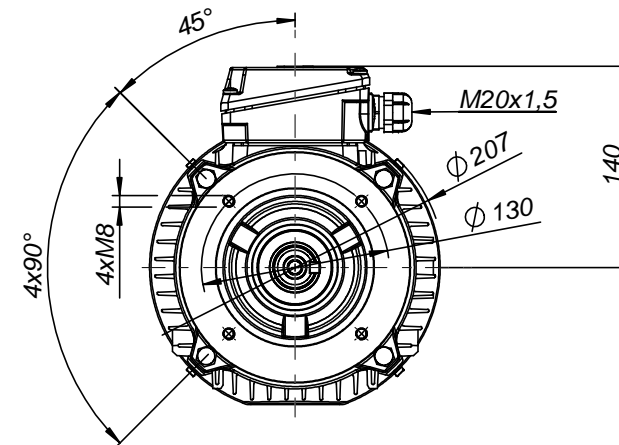
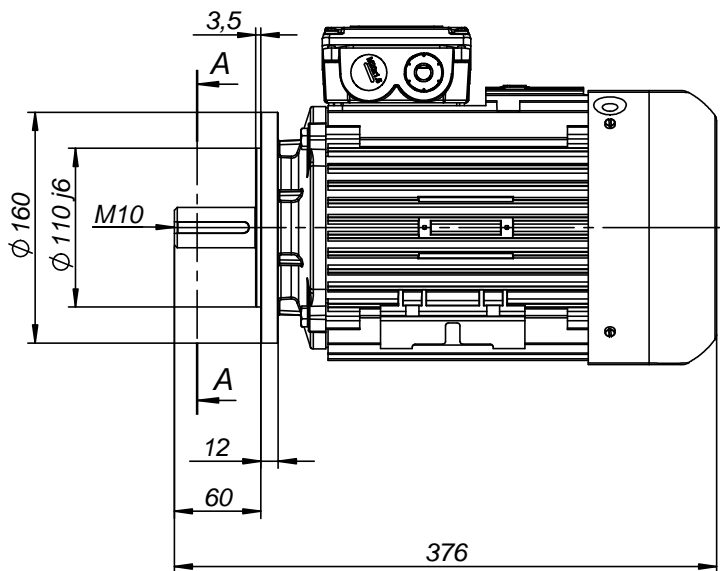
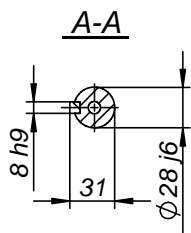
Sg 100L-B3

Drawing no.

S-005-01-2008

Scale

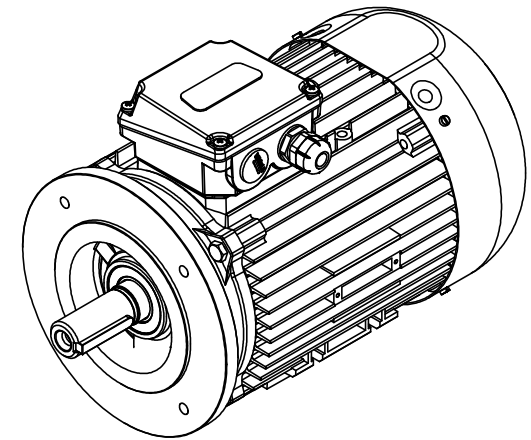
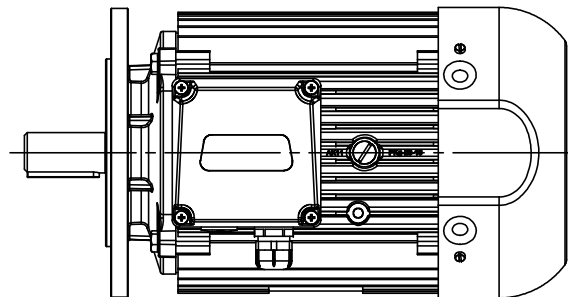
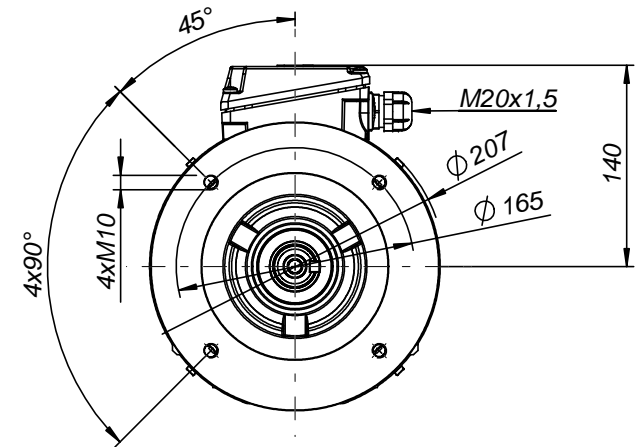
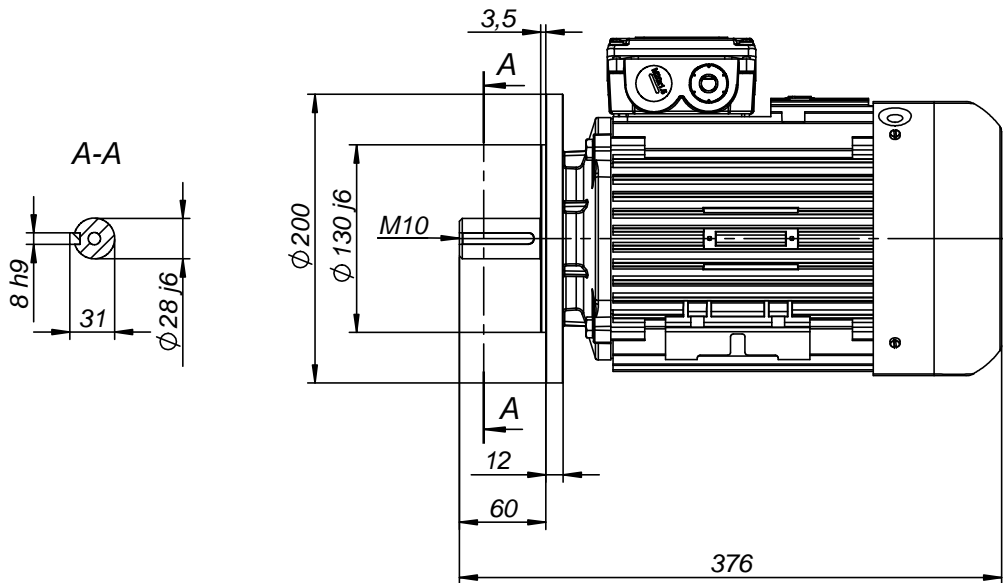
1:5



Motor type **SKg 100L-B14-C2**

Drawing no. **S-054-01-2008**

Scale **1:5**



Motor type

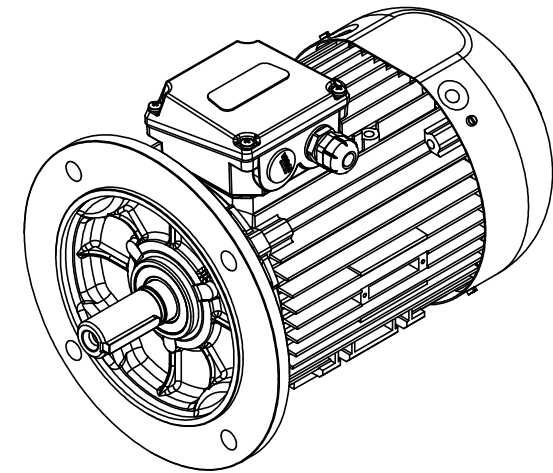
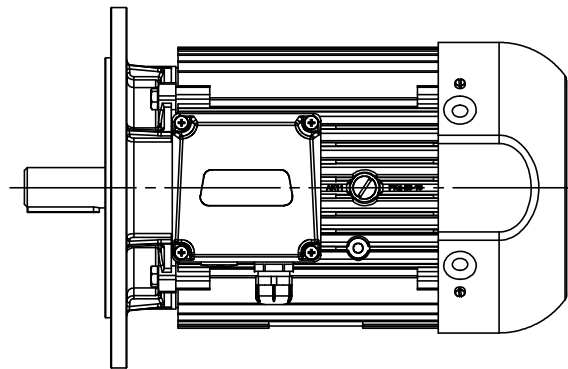
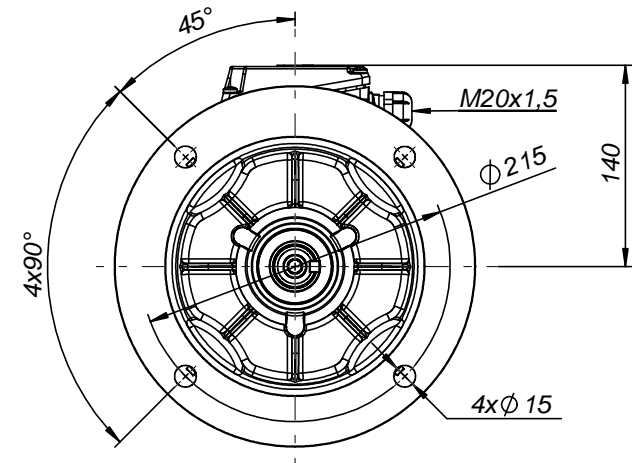
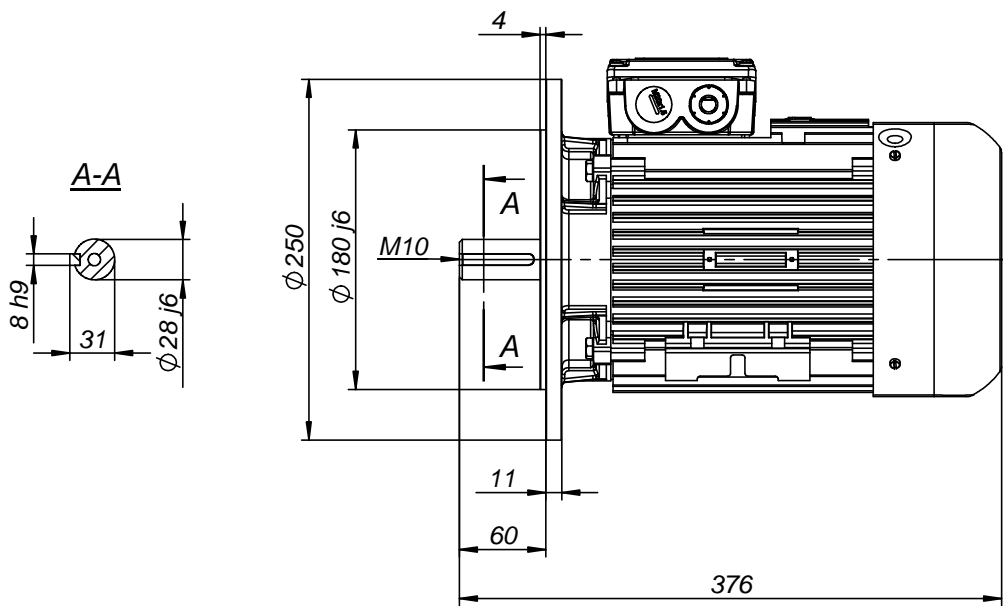
SKg 100L-B14-C1

Drawing no.

S-045-01-2008

Scale

1:5



Motor type

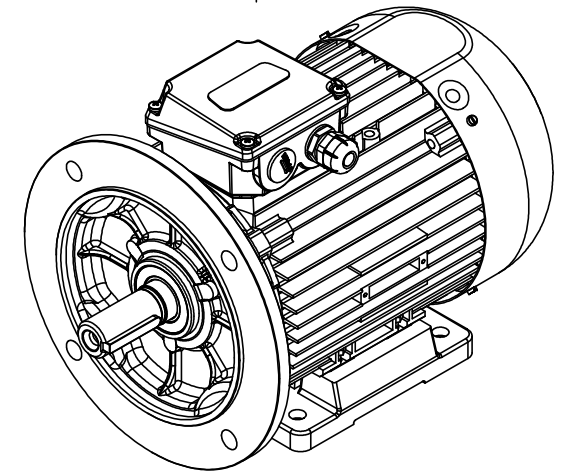
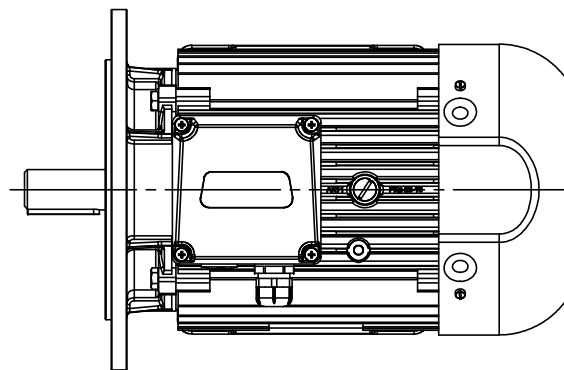
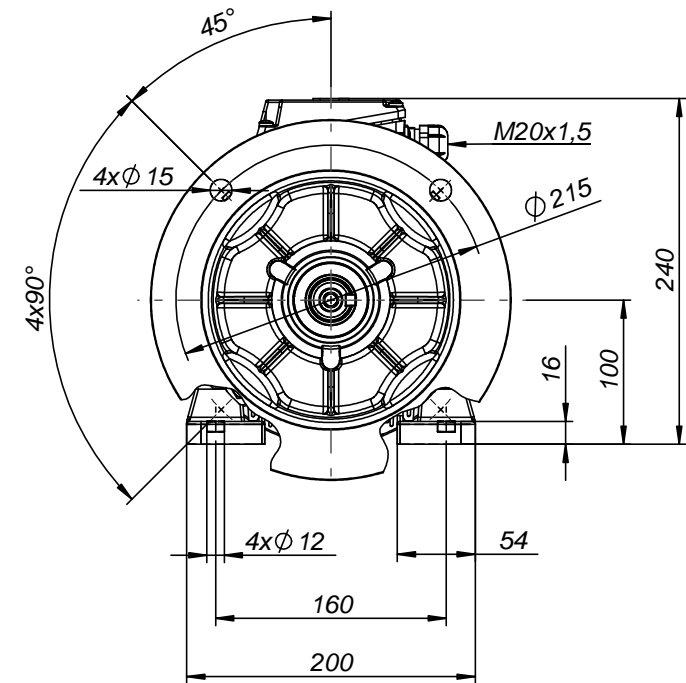
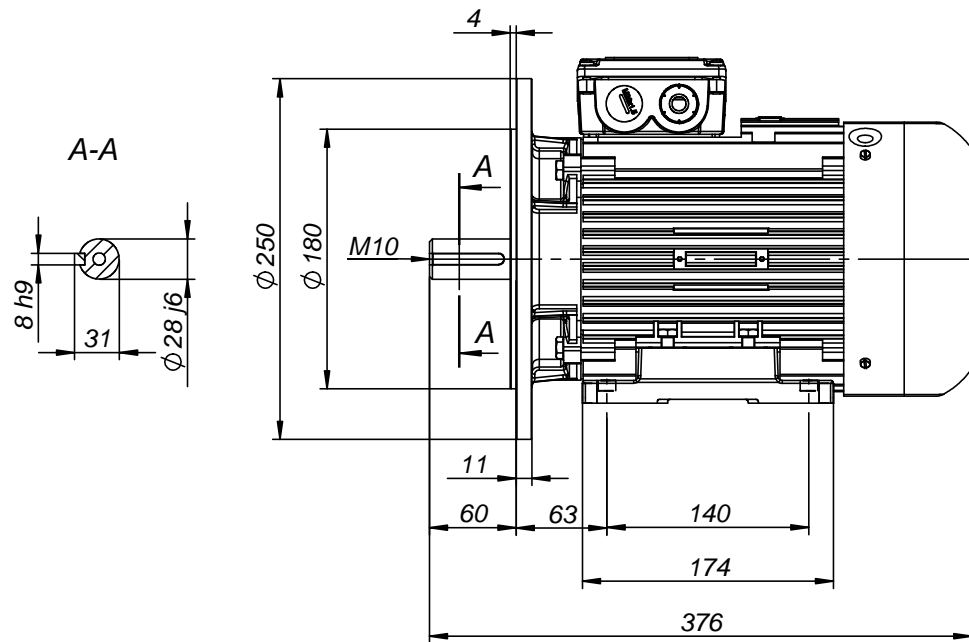
SKg 100L-B5

Drawing no.

S-019-01-2008

Scale

1:5



Motor type

SLg 100L-B35

Drawing no.

S-033-01-2008

Scale

1:5