

Motor type

3SIE132M-B3

(according to KK-35-01)

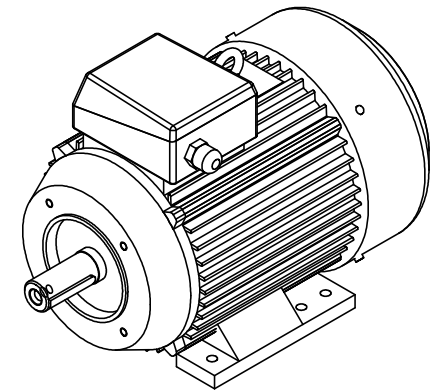
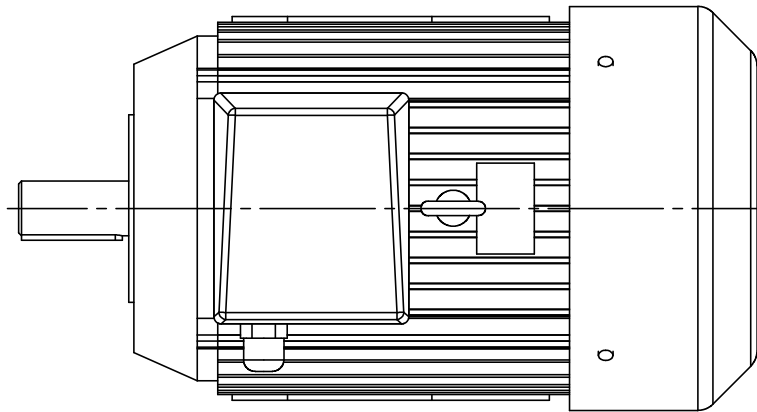
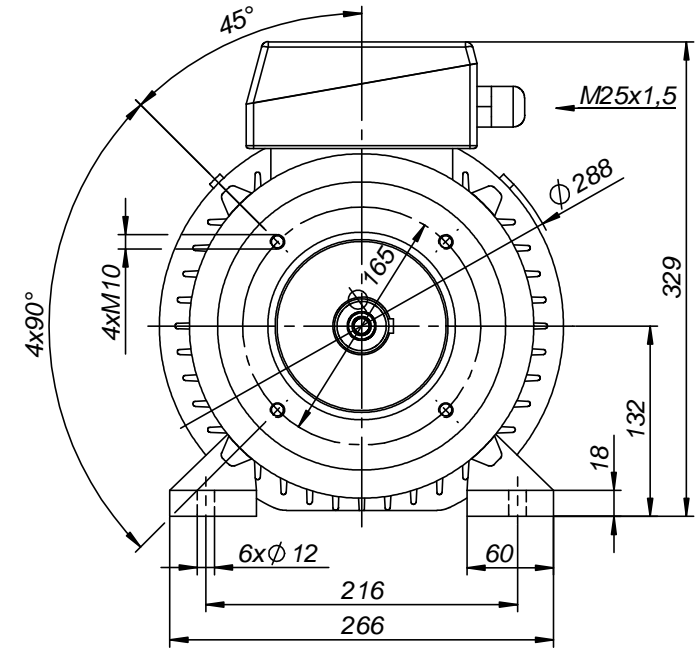
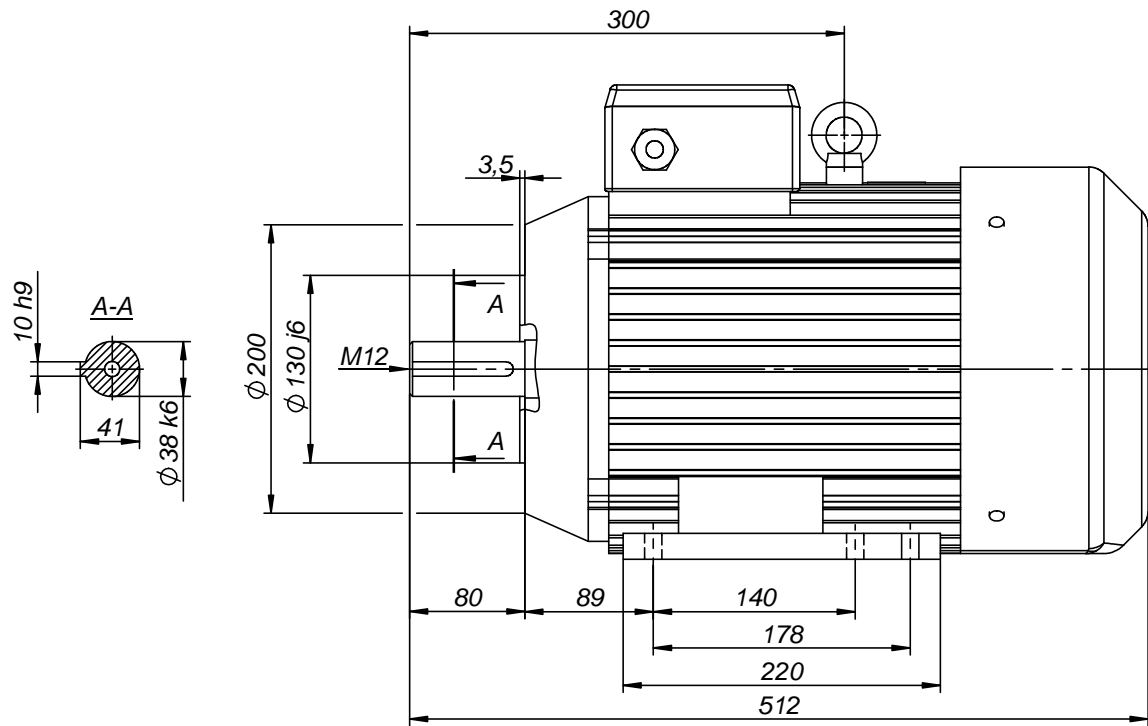


Drawing no.

S-1434-01-2014

Scale

1:5



Motor type

3SIEL132M-B34-C2

(according to KK-35-01)

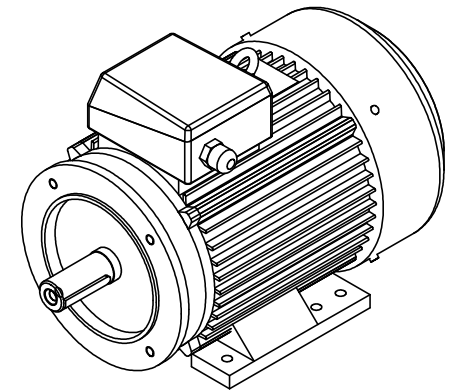
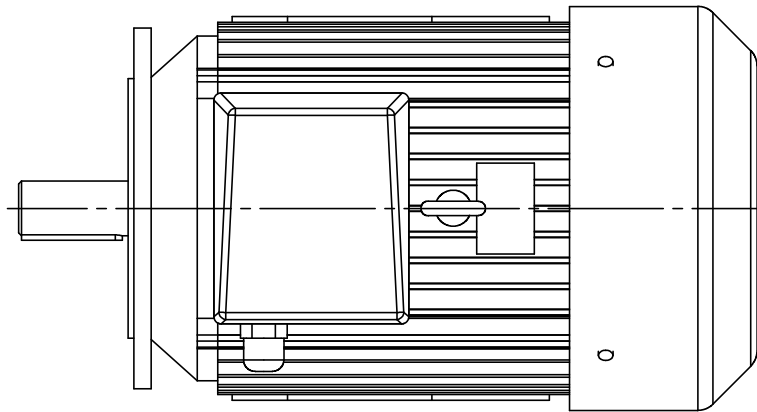
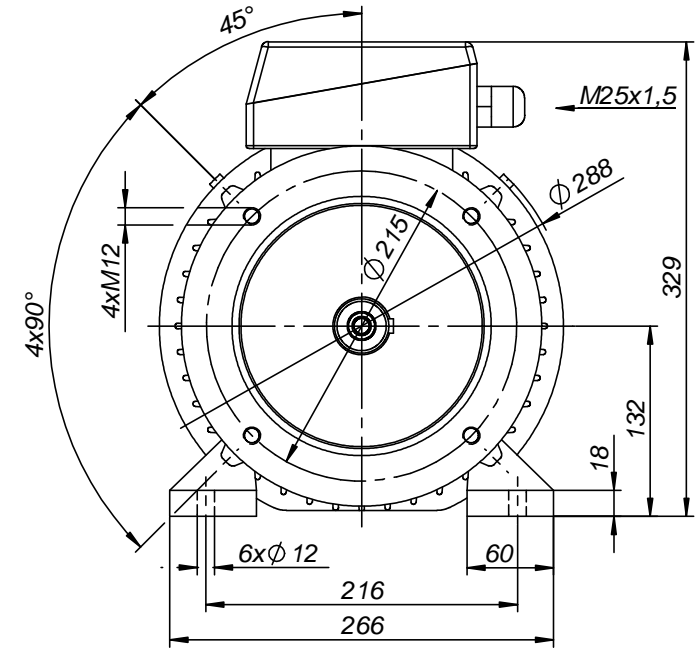
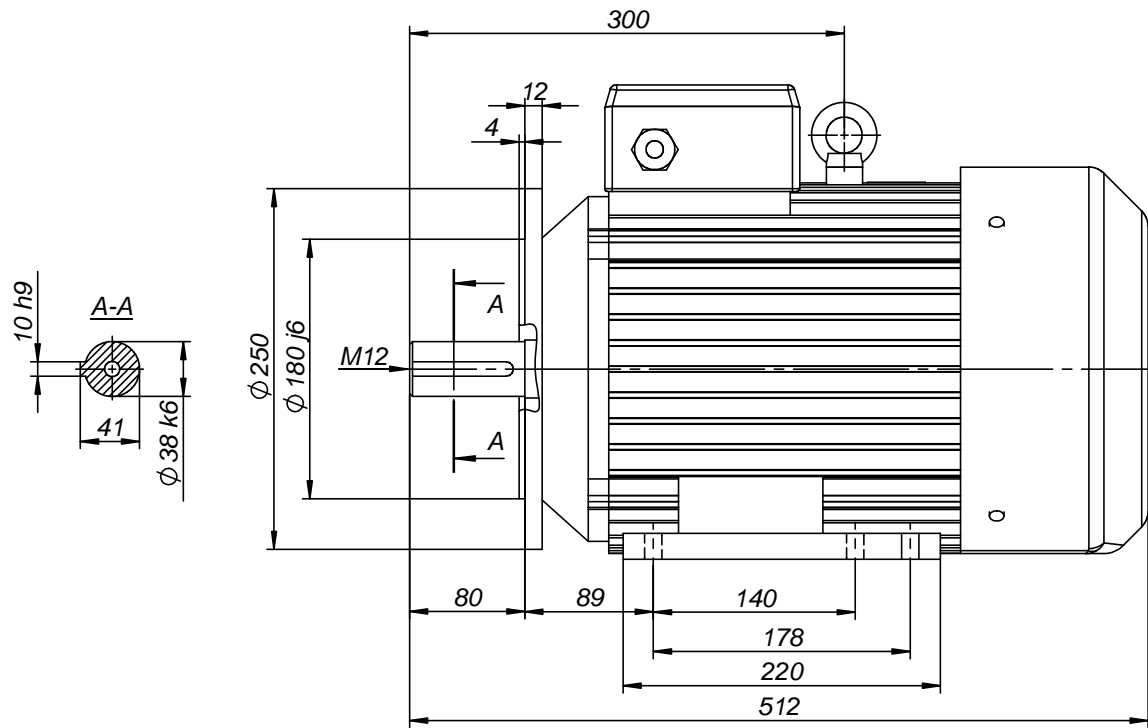


Drawing no.

S-1497-01-2014

Scale

1:5



Motor type

3SIEL132M-B34-C1

(according to KK-35-01)

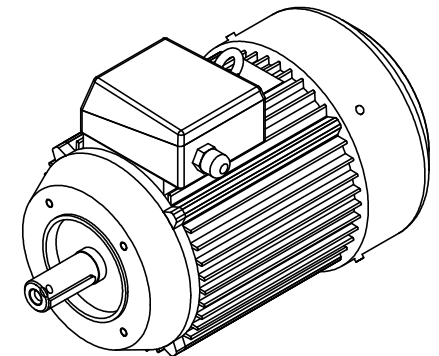
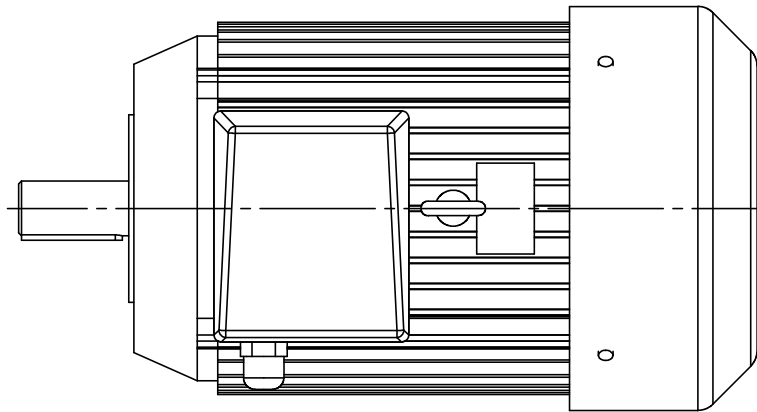
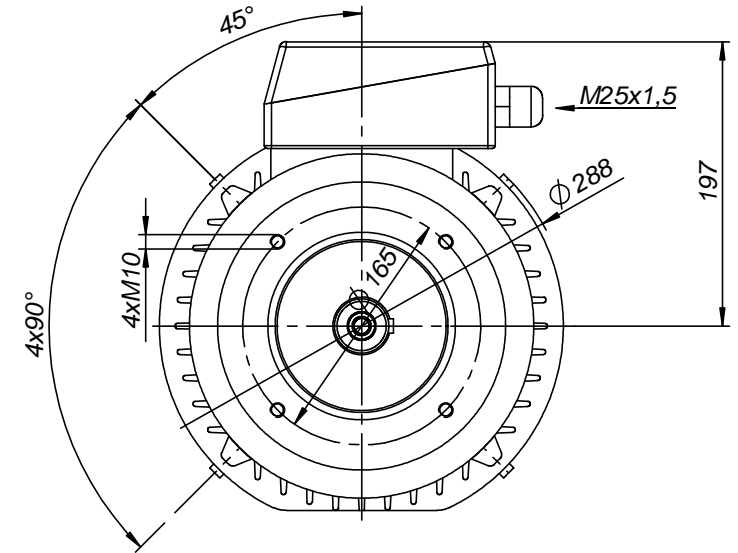
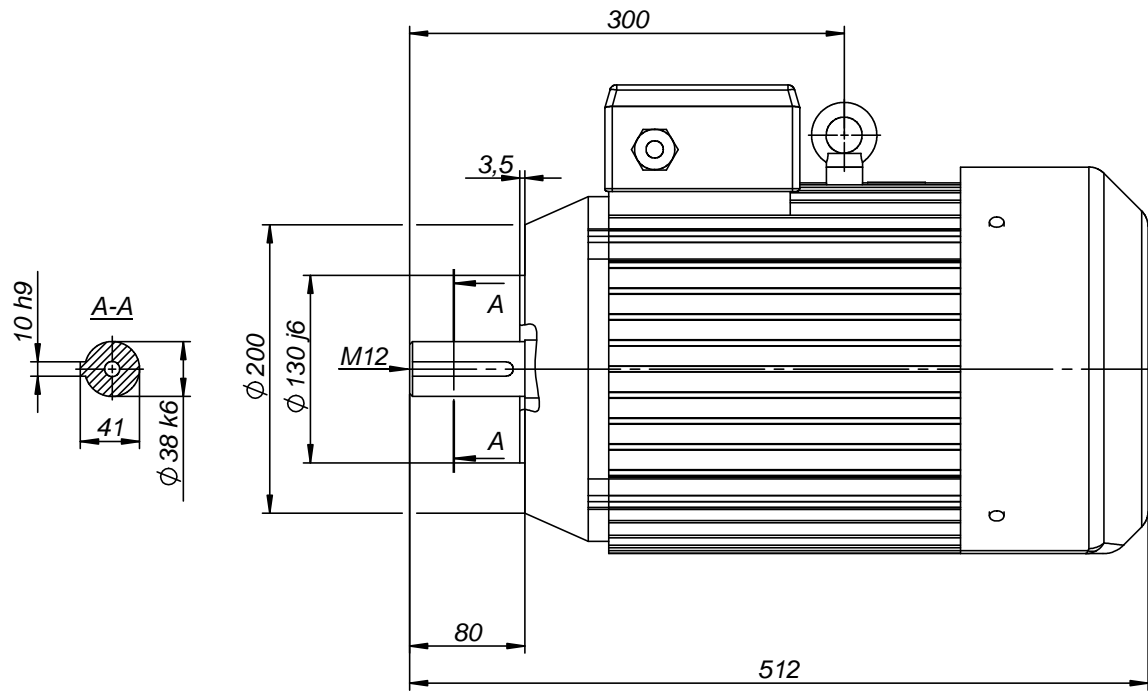


Drawing no.

S-1496-01-2014

Scale

1:5



Motor type

3SIEK132S;M-B14-C2

(according to KK-35-01)

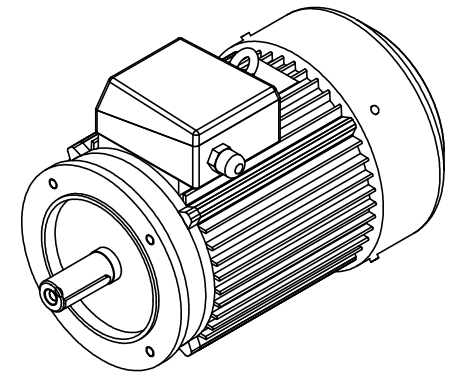
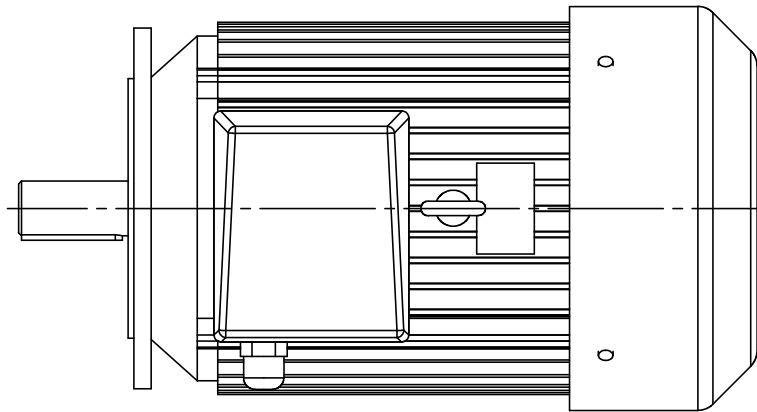
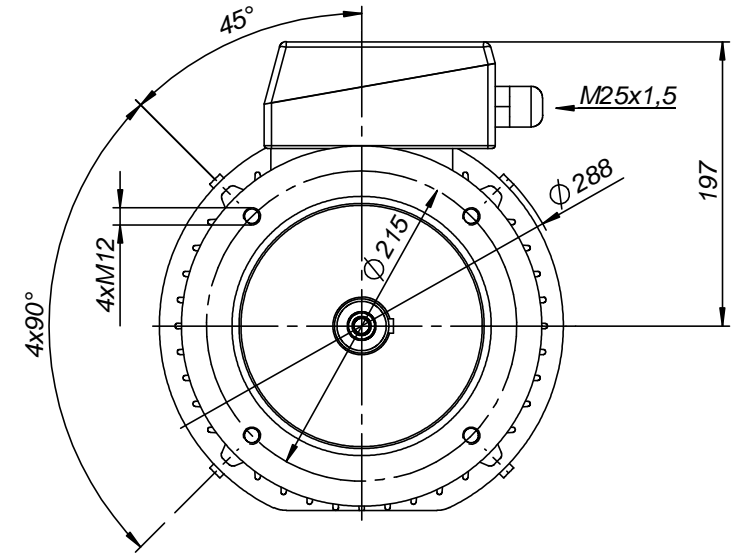
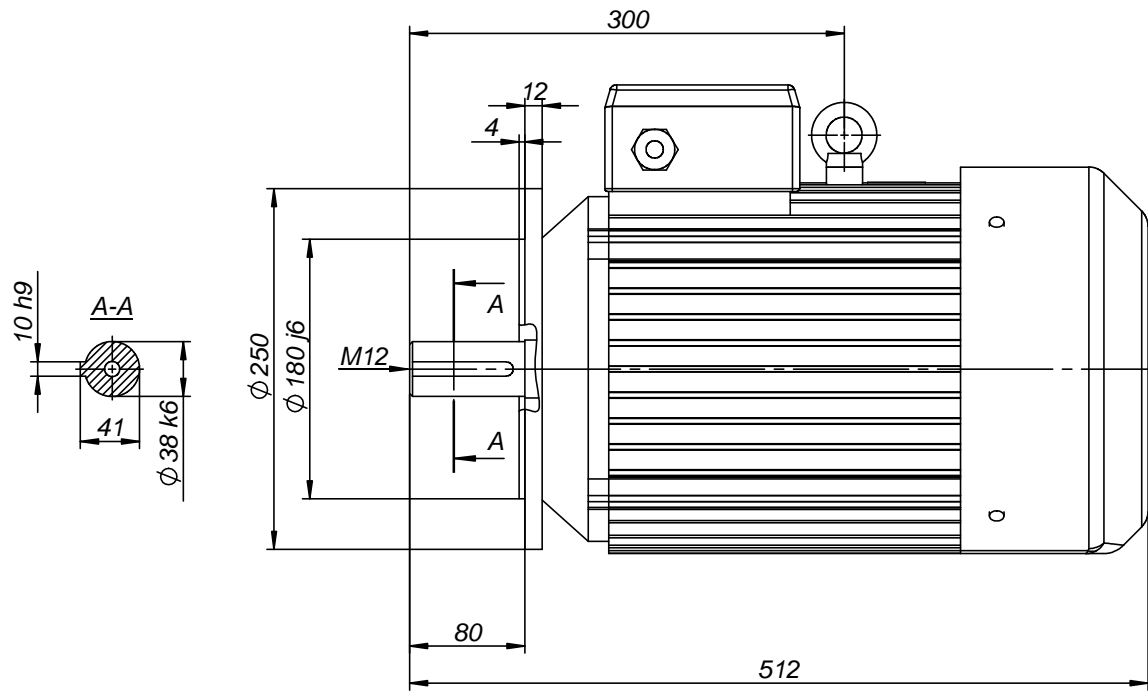


Drawing no.

S-1491-01-2014

Scale

1:5



Motor type

3SIEK132S;M-B14-C1

(according to KK-35-01)

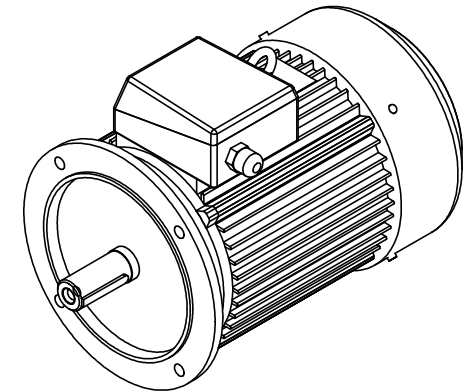
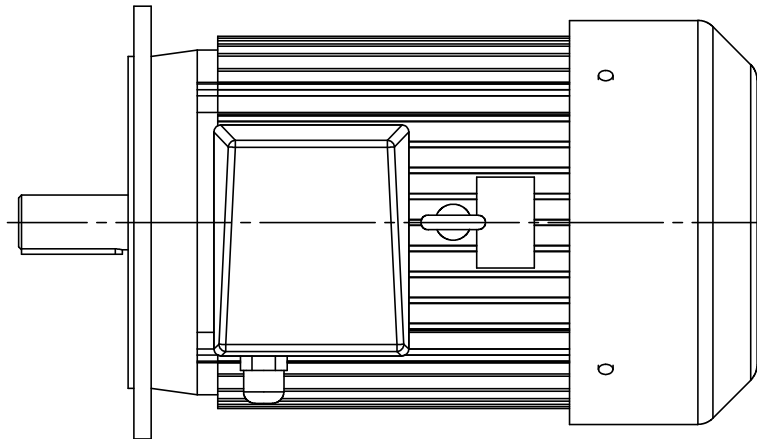
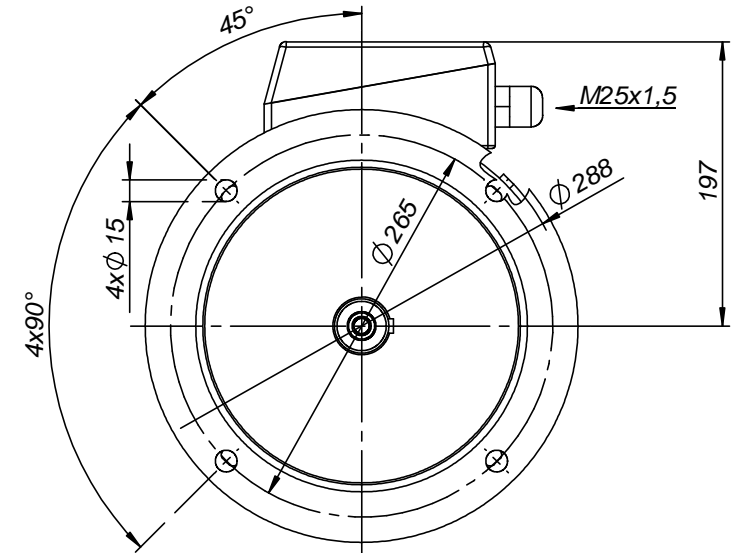
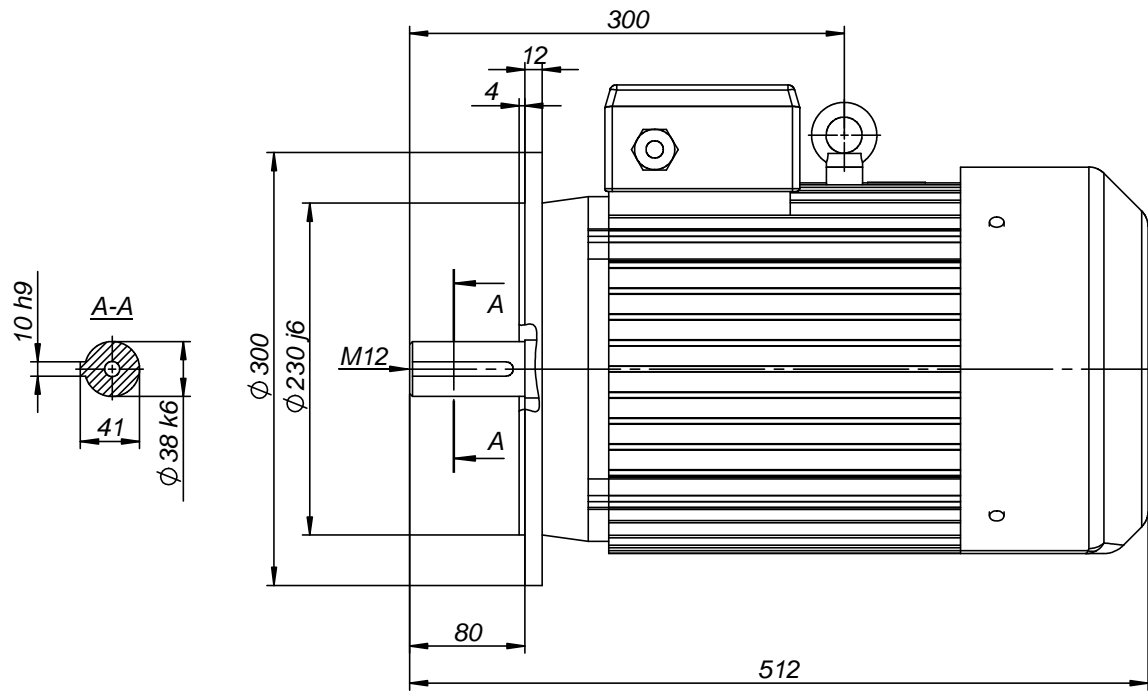


Drawing no.

S-1490-01-2014

Scale

1:5



Motor type

3SIEK132S;M-B5

(according to KK-35-01)

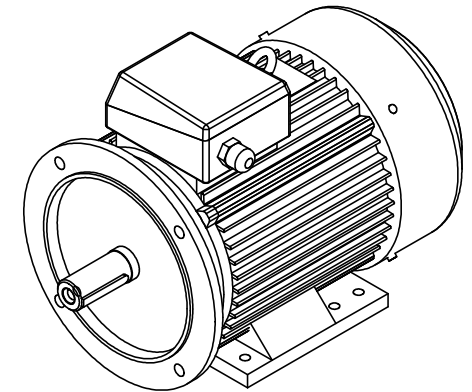
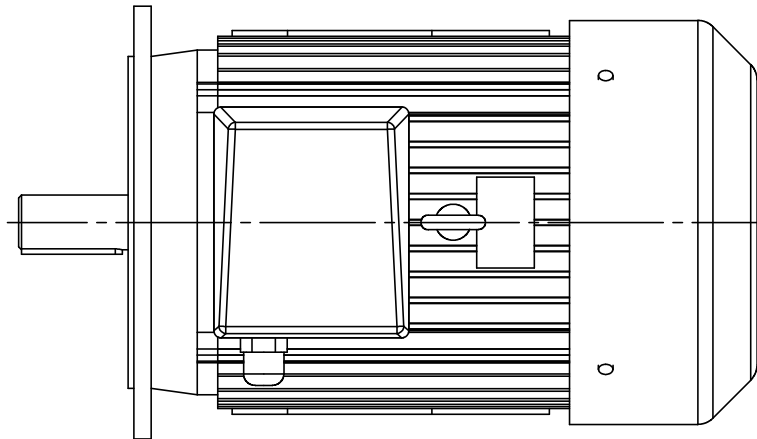
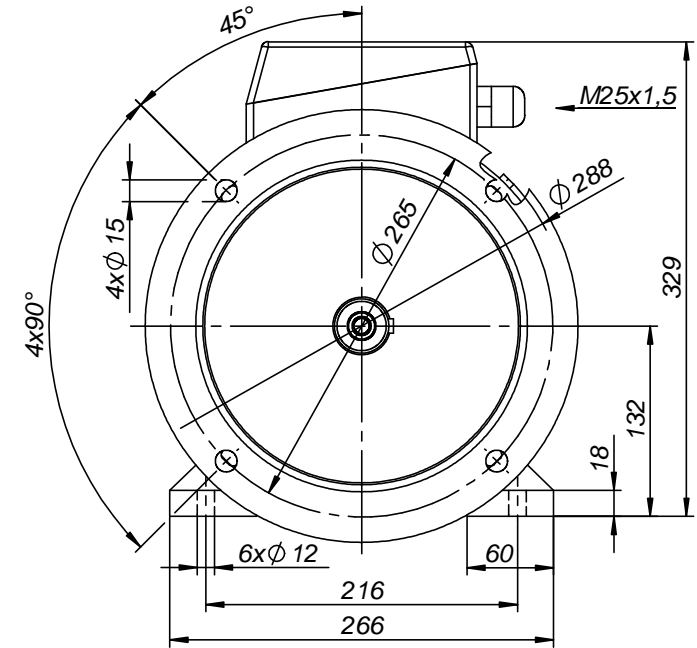
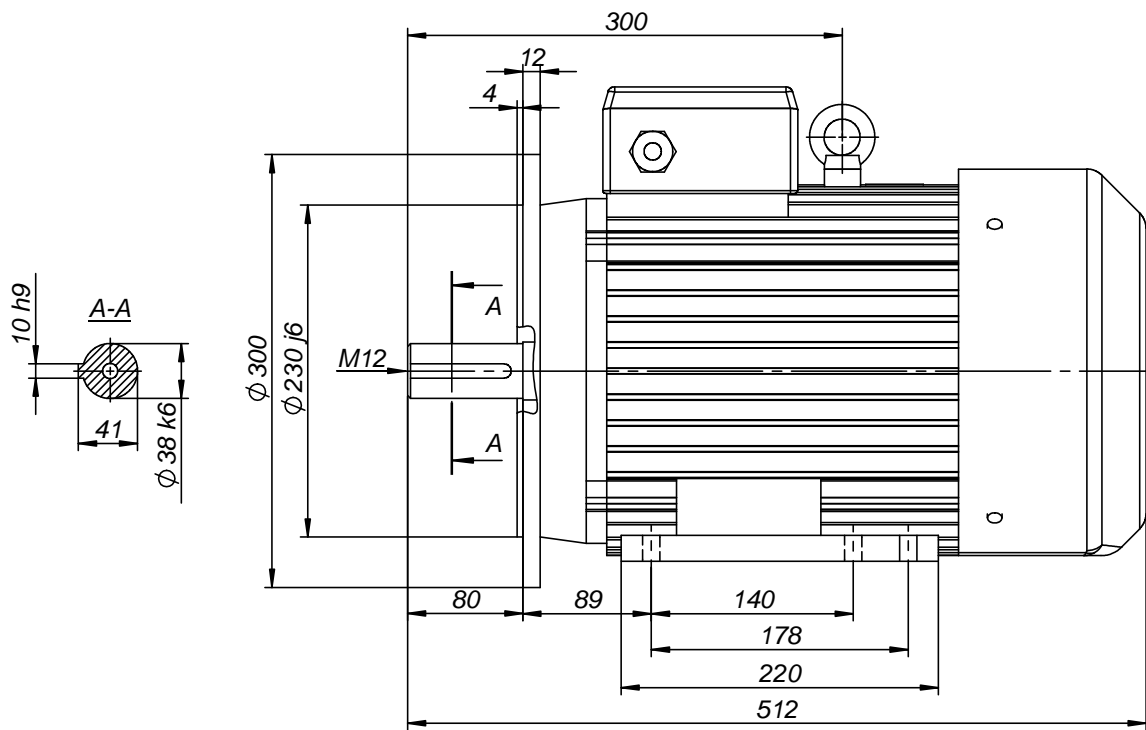


Drawing no.

S-1439-01-2014

Scale

1:5



Motor type

3SIEL132M-B35

(according to KK-35-01)



Drawing no.

S-1443-01-2014

Scale

1:5