

Motor type

3SIE112M2,6-B3

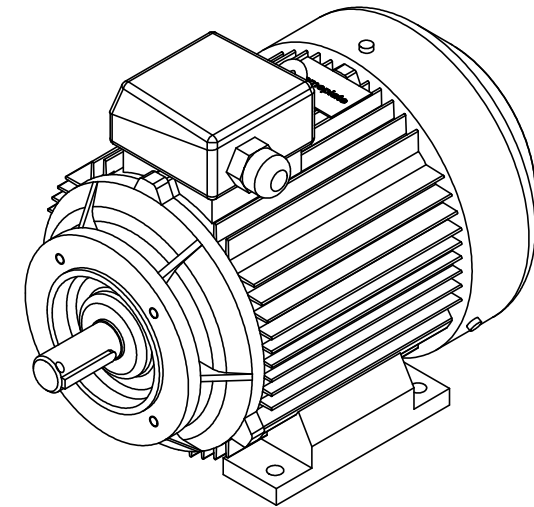
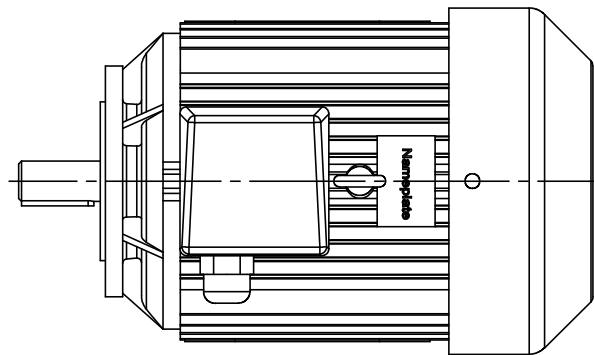
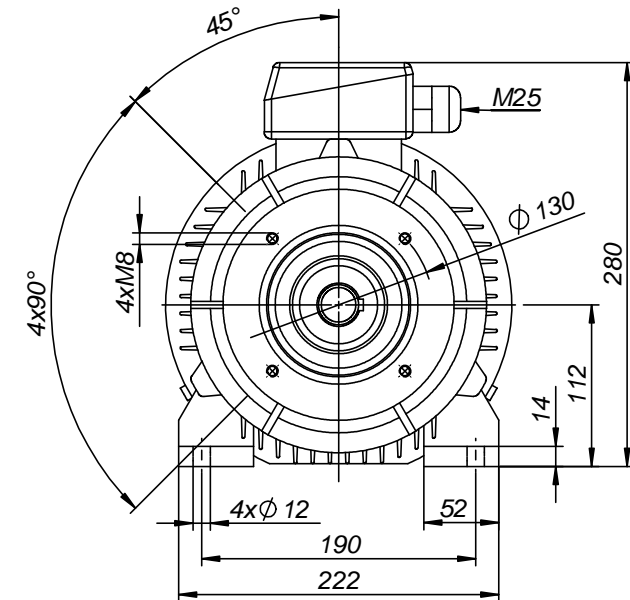
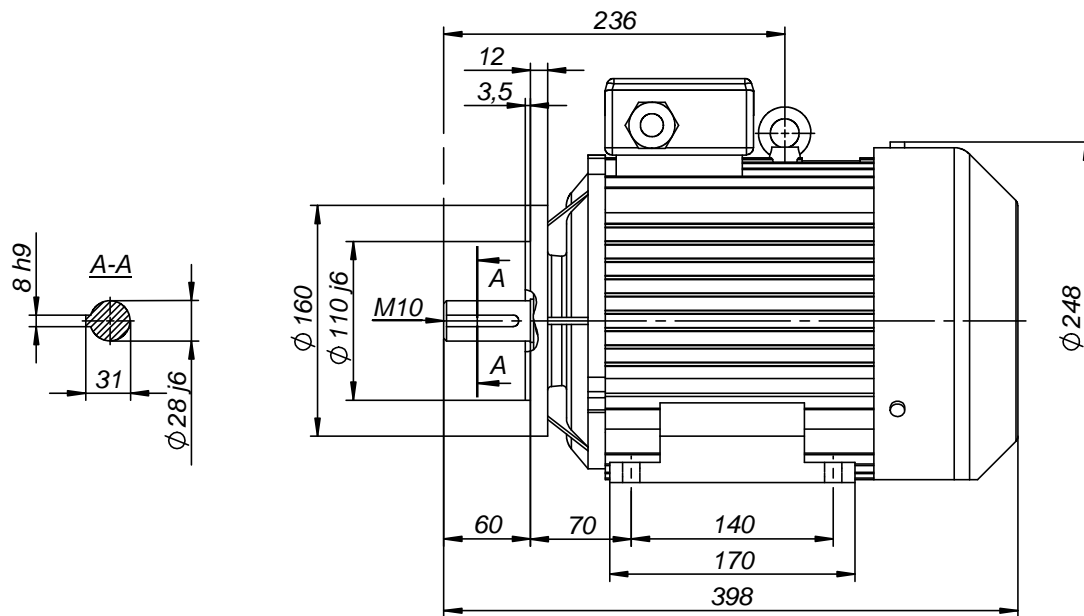


Drawing no.

S-1940-01-2016

Scale

1:5



Motor type

3SIEL112M2,6-B34-C2

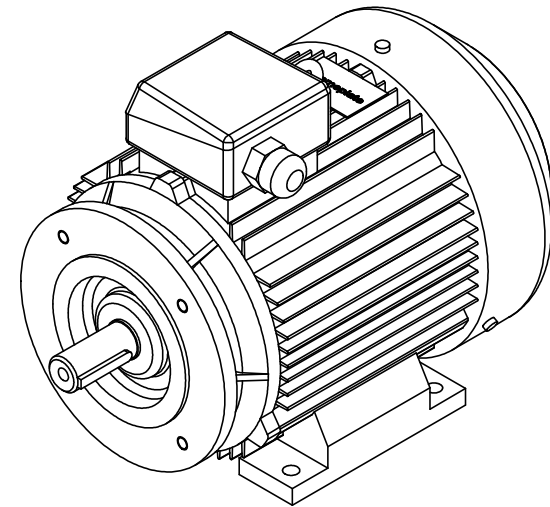
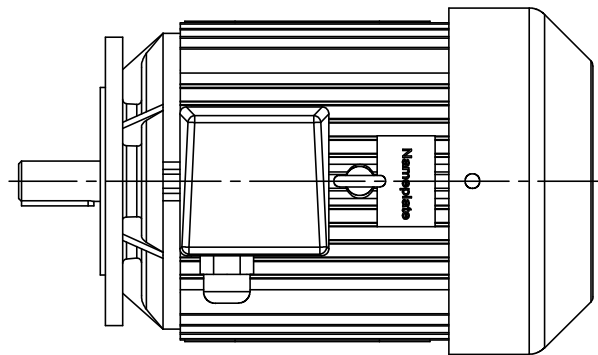
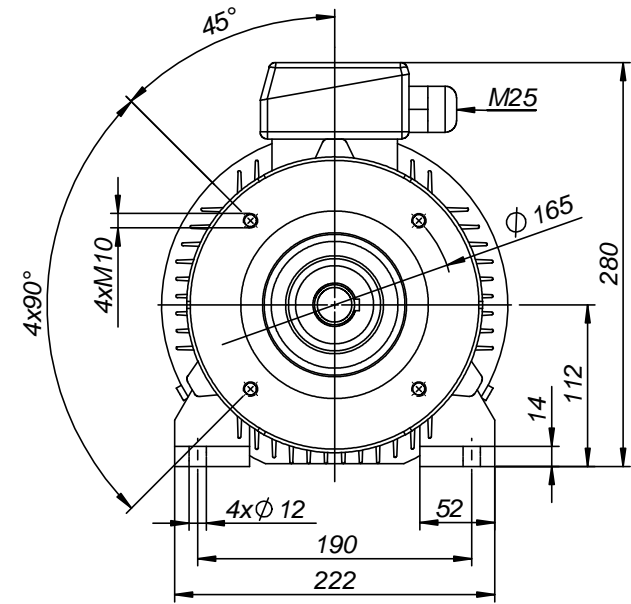
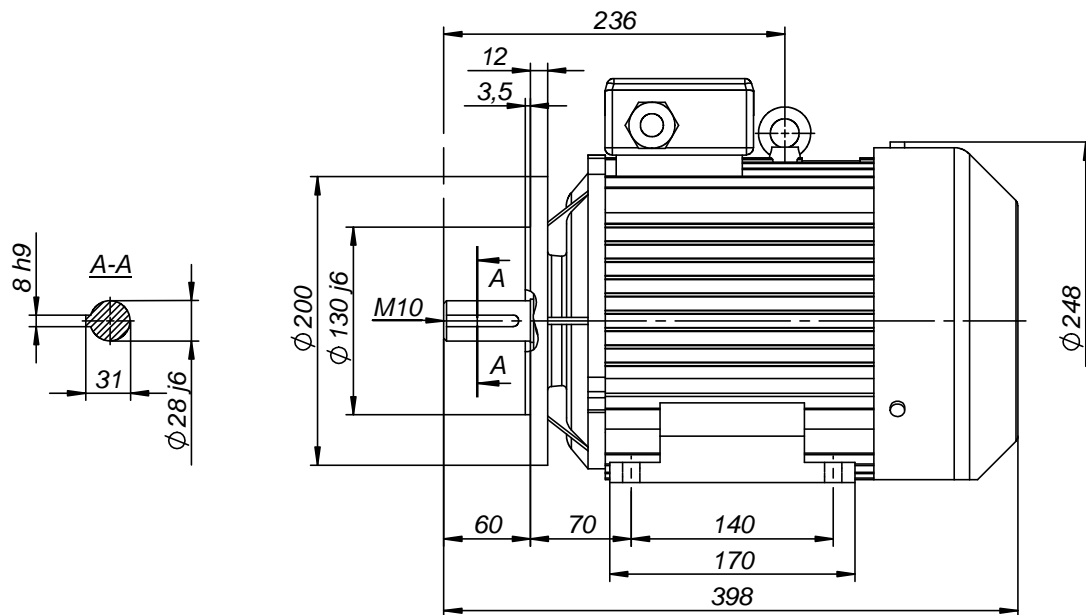


Drawing no.

S-1978-01-2016

Scale

1:5



Motor type

3SIEL112M2,6-B34-C1

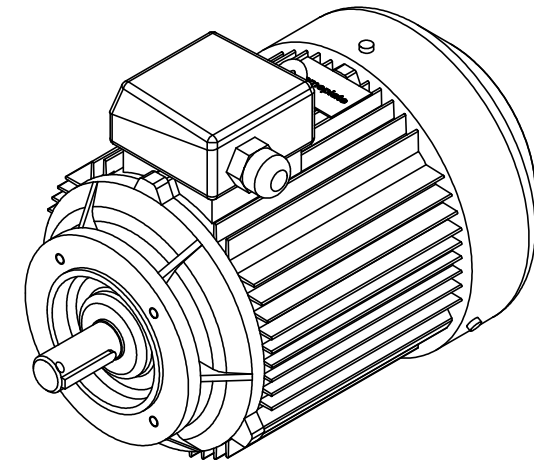
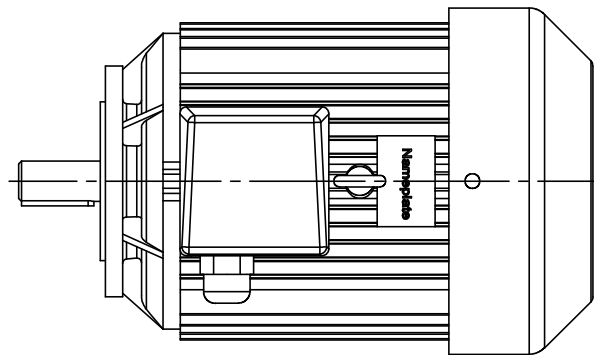
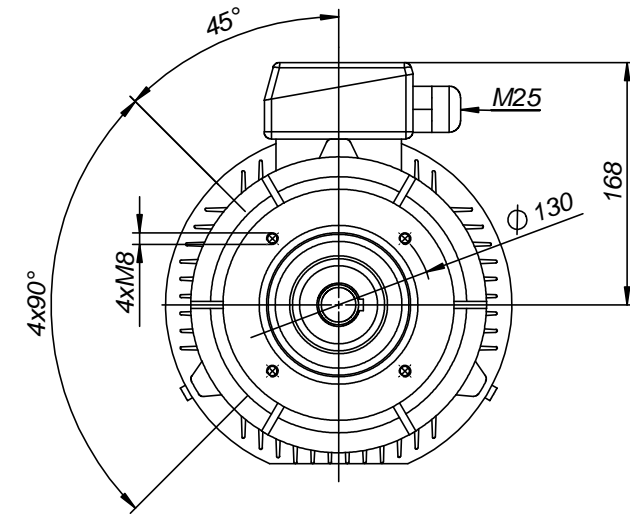
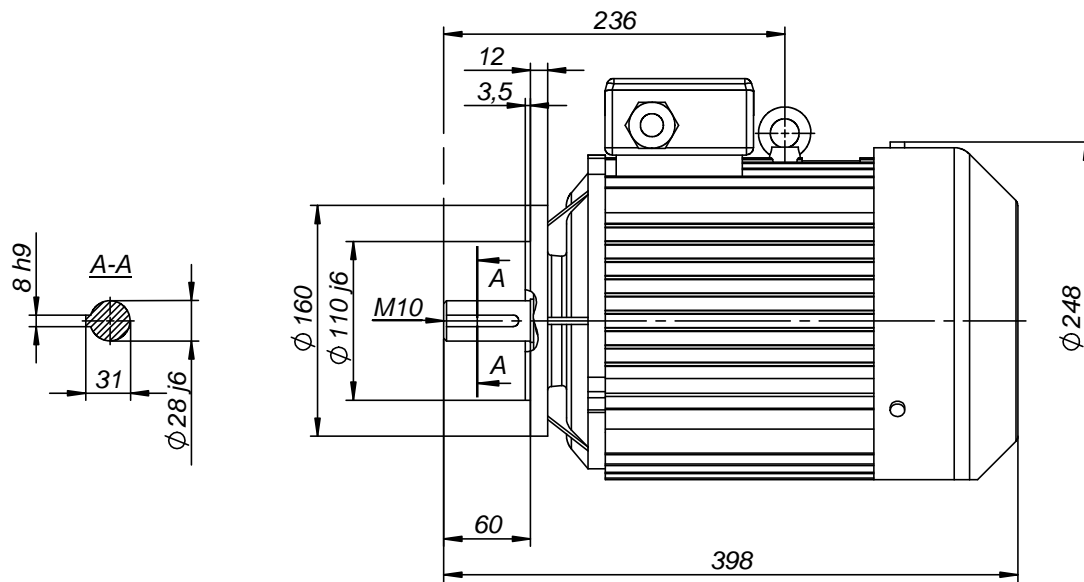


Drawing no.

S-1977-01-2016

Scale

1:5



Motor type

3SIEK112M2,6-B14-C2

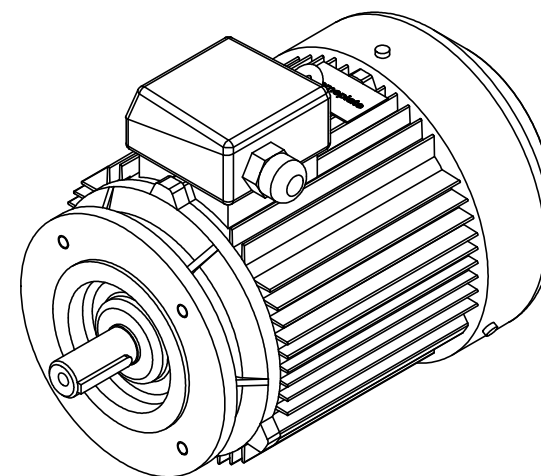
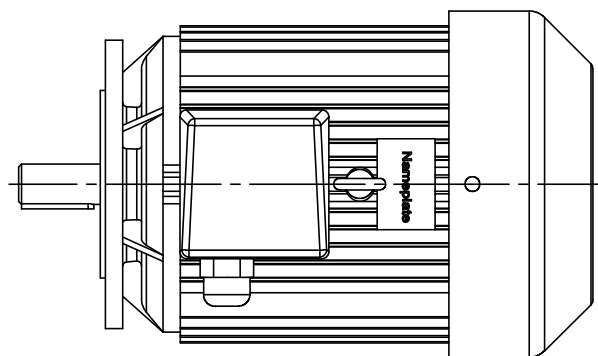
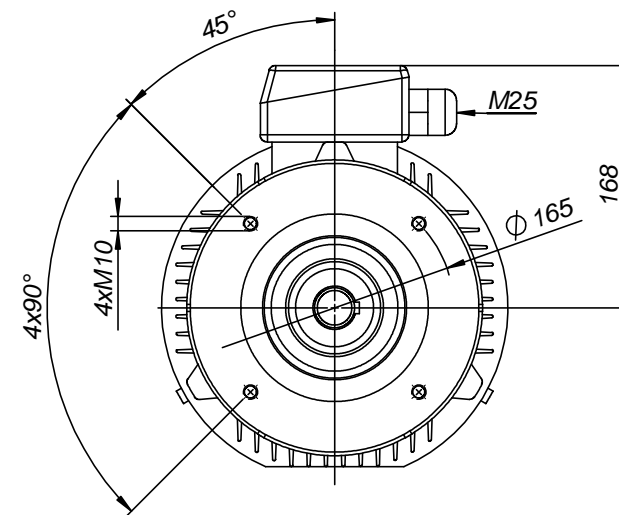
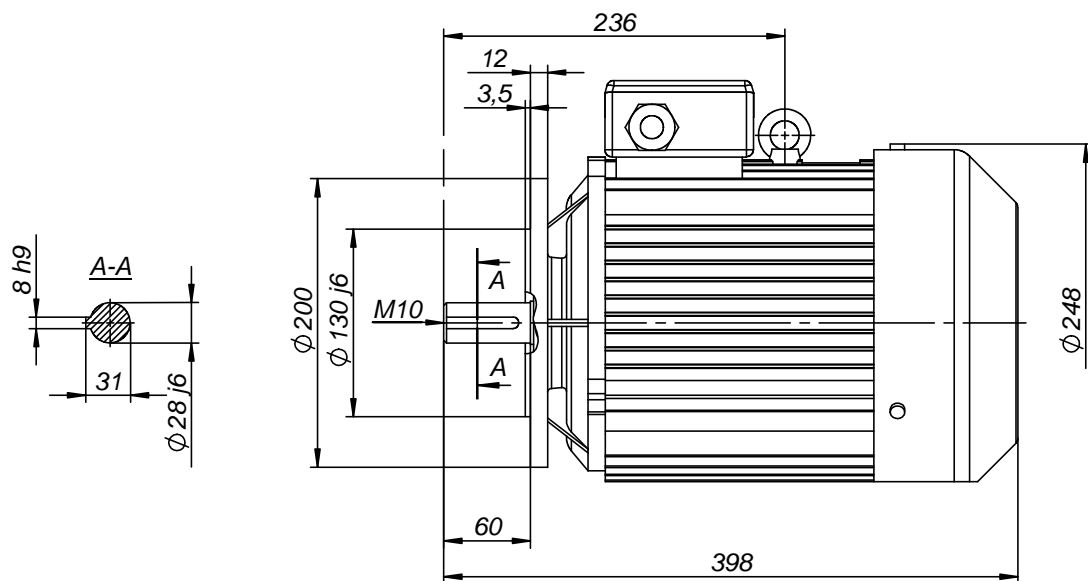
Drawing no.

S-1964-01-2016

Scale

1:5





Motor type

3SIEK112M2,6-B14-C1

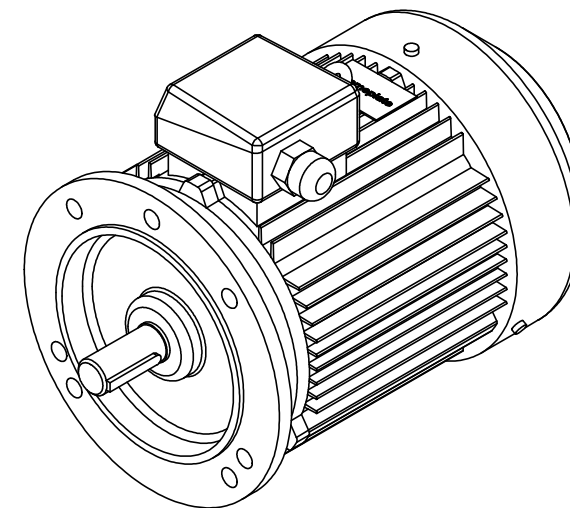
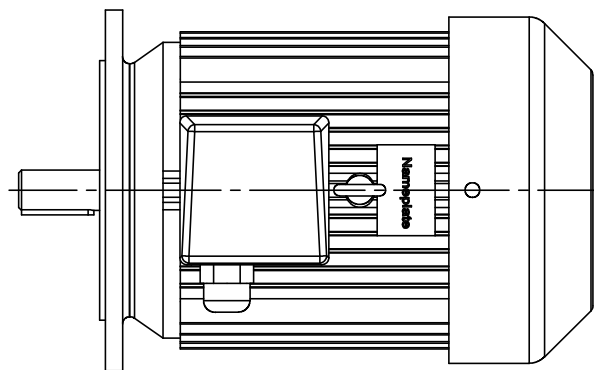
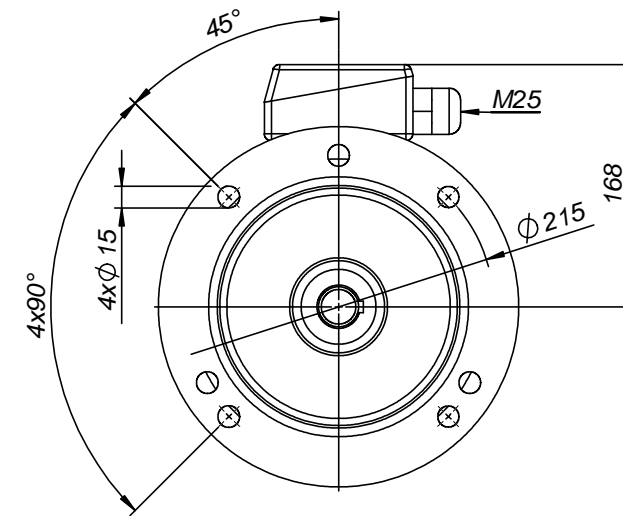
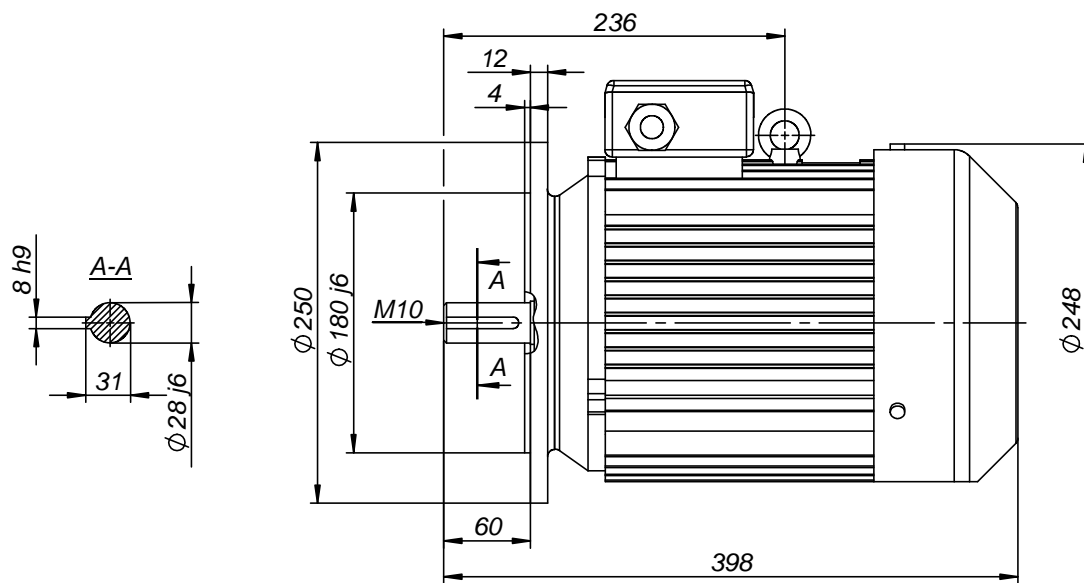
Drawing no.

S-1963-01-2016

Scale

1:5





CELMA
indukta

Motor type

3SIEK112M2,6-B5

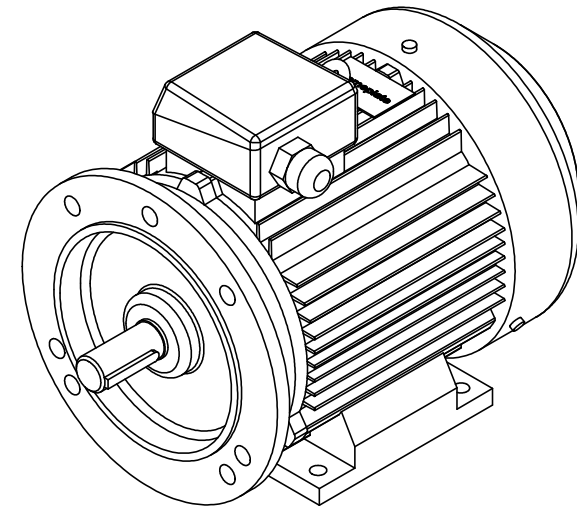
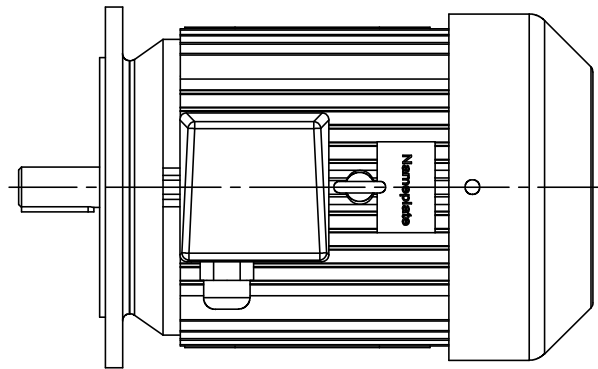
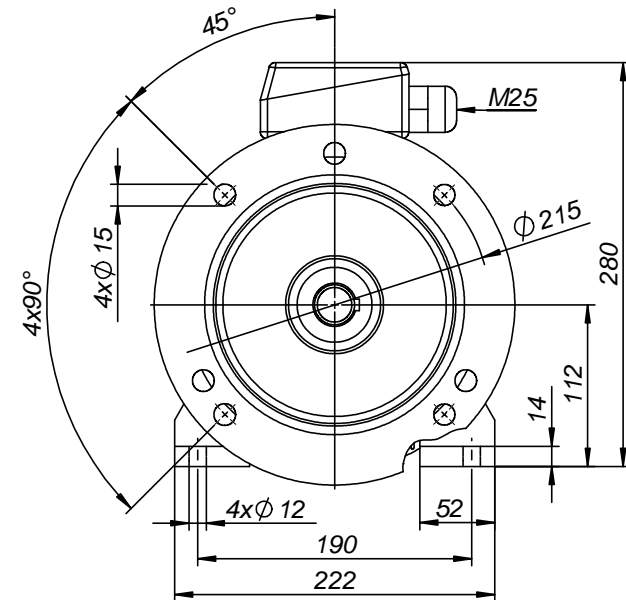
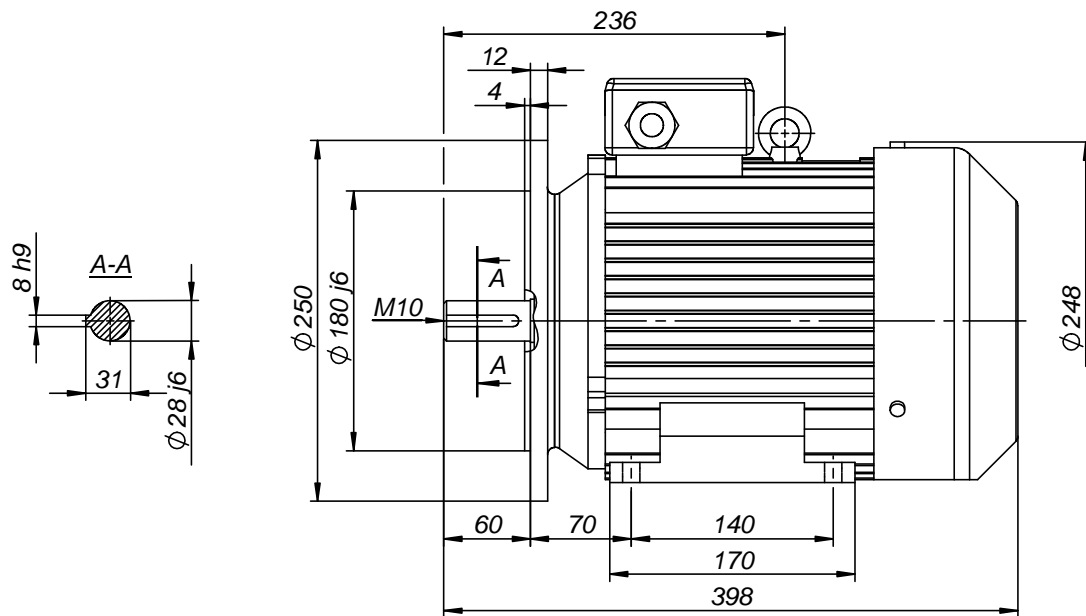
Drawing no.

S-1946-01-2016

Scale

1:5

Cantoni[®]
GROUP



Motor type

3SIEL112M2,6-B35



Drawing no.

S-1953-01-2016

Scale

1:5