

Motor type

3SIE160L-B3

(according to KK-35-01)

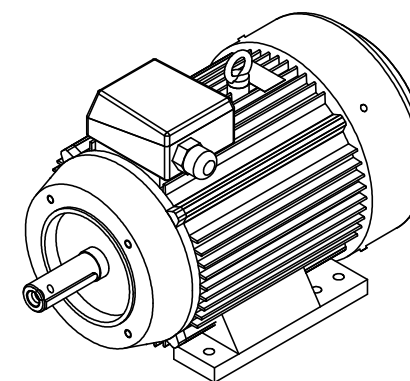
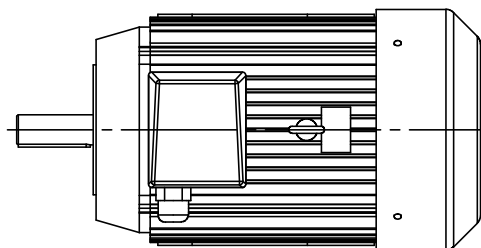
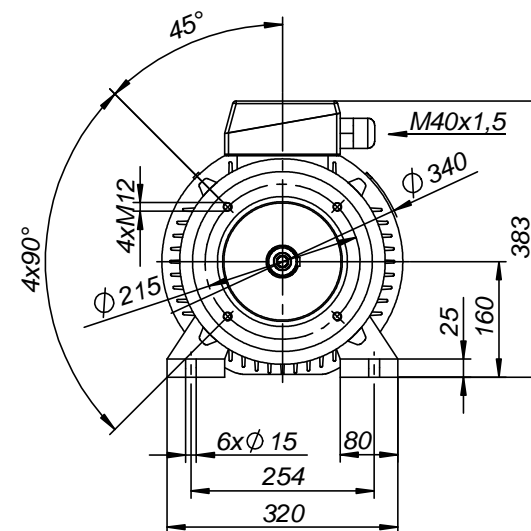
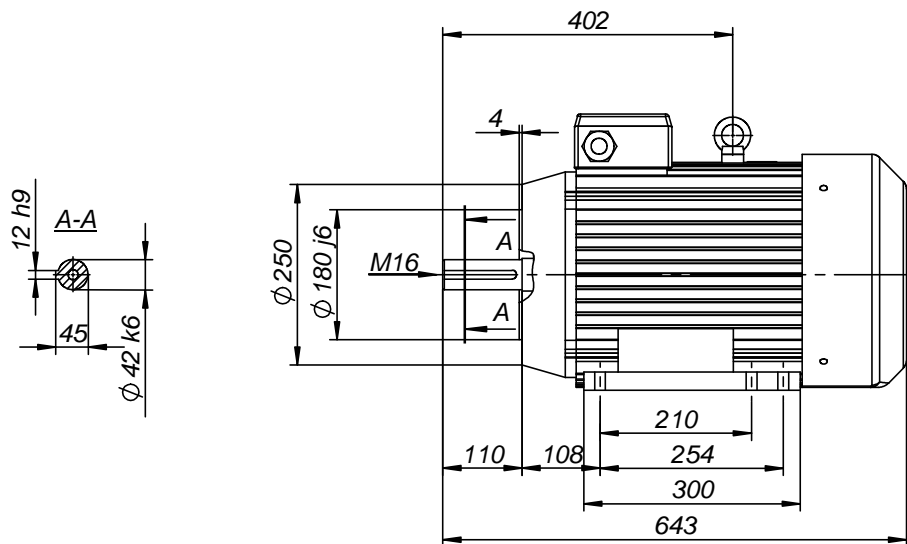


Drawing no.

S-1436-01-2014

Scale

1:10



CELMA
indukta

Motor type

3SIEL160L-B34-C2

(according to KK-35-01)

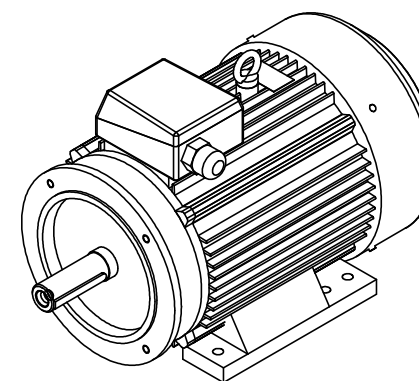
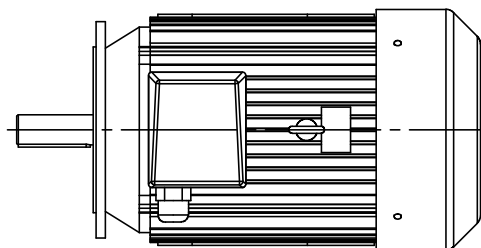
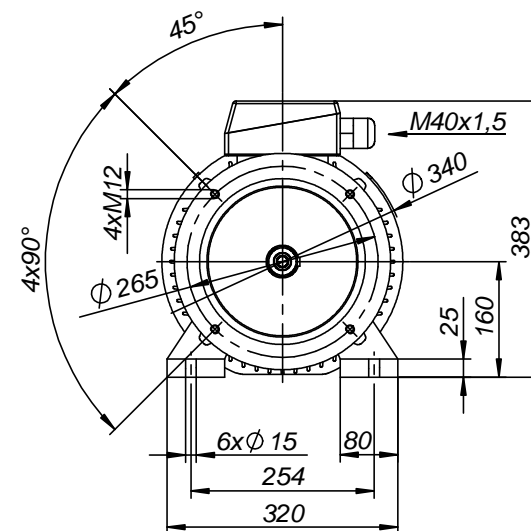
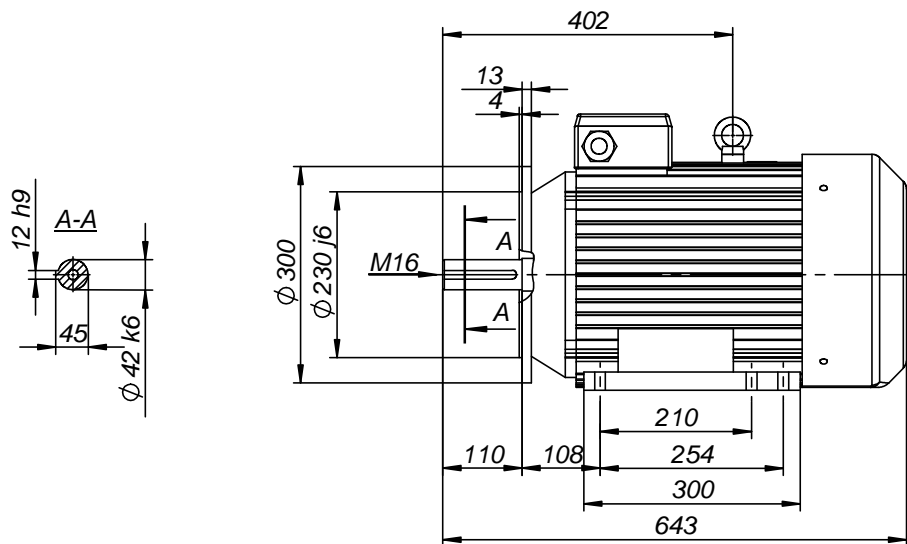
Drawing no.

S-1501-01-2014

Scale

1:10

Cantoni[®]
GROUP



CELMA
indukta

Motor type

3SIEL160L-B34-C1

(according to KK-35-01)

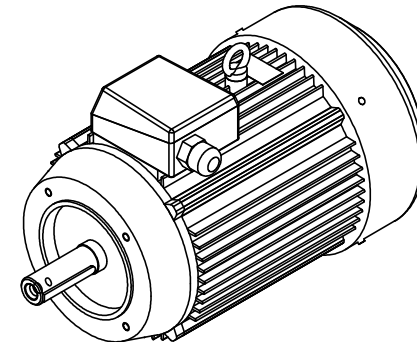
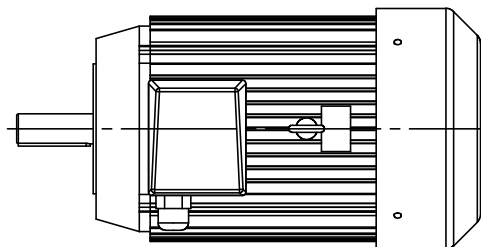
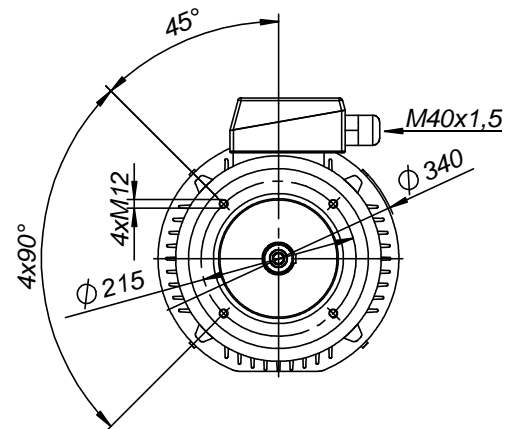
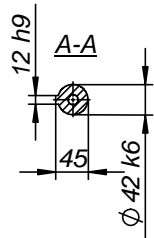
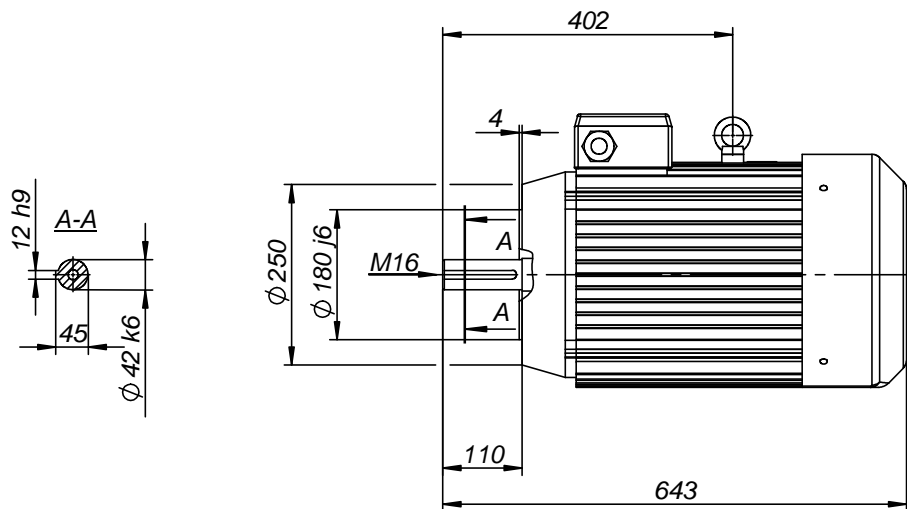
Drawing no.

S-1500-01-2014

Scale

1:10

Cantoni[®]
GROUP



Motor type

3SIEK160M;L-B14-C2

(according to KK-35-01)

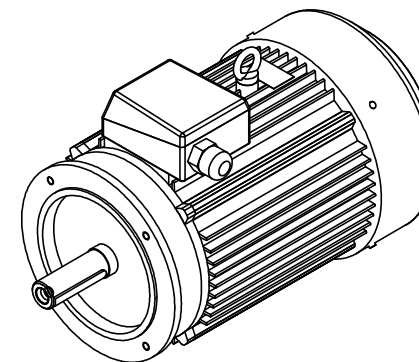
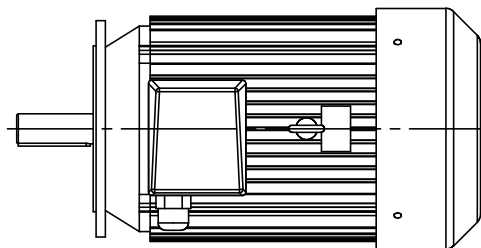
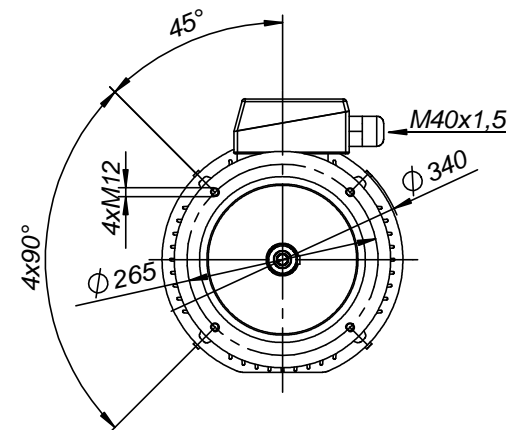
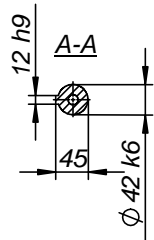
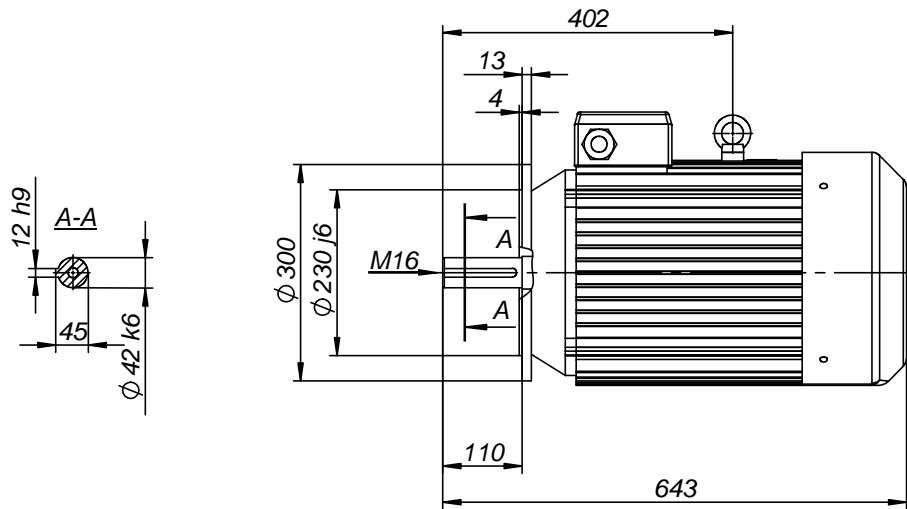


Drawing no.

S-1493-01-2014

Scale

1:10



Motor type

3SIEK160M;L-B14-C1

(according to KK-35-01)

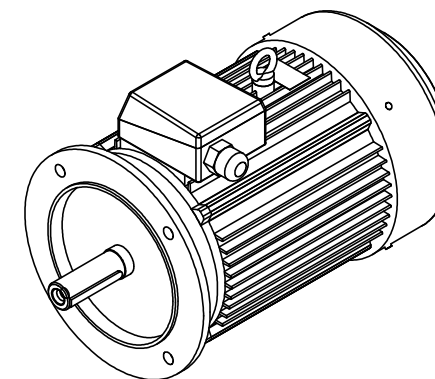
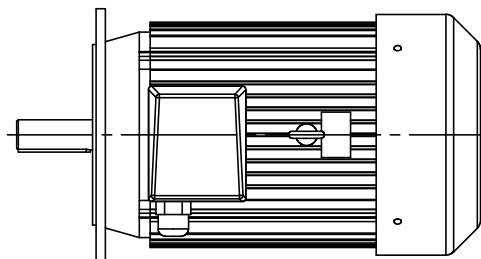
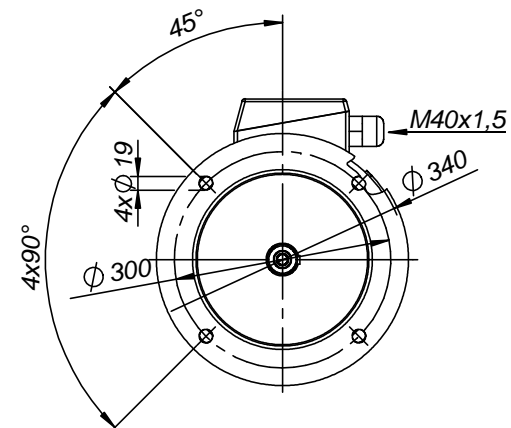
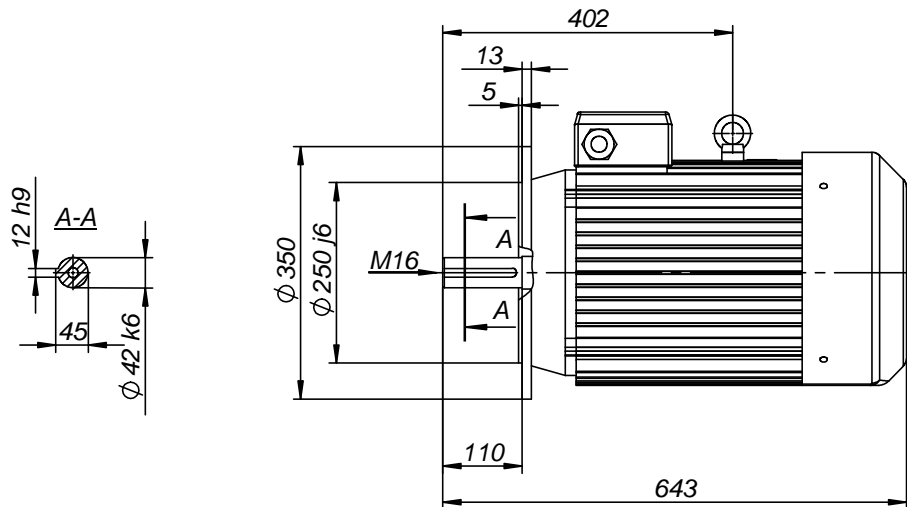
Drawing no.

S-1492-01-2014

Scale

1:10





CELMA
indukta

Motor type

3SIEK160M;L-B5

(according to KK-35-01)

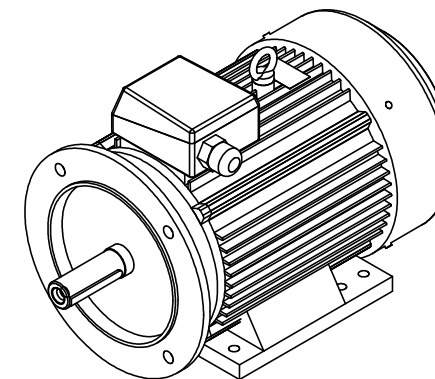
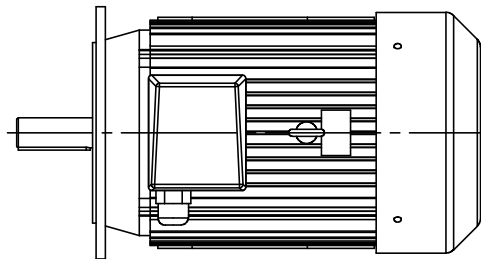
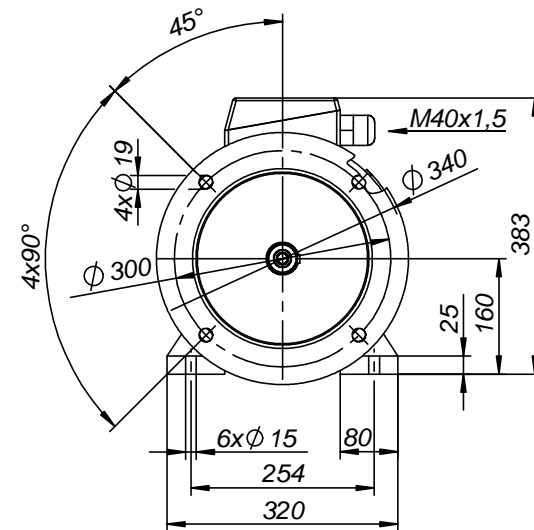
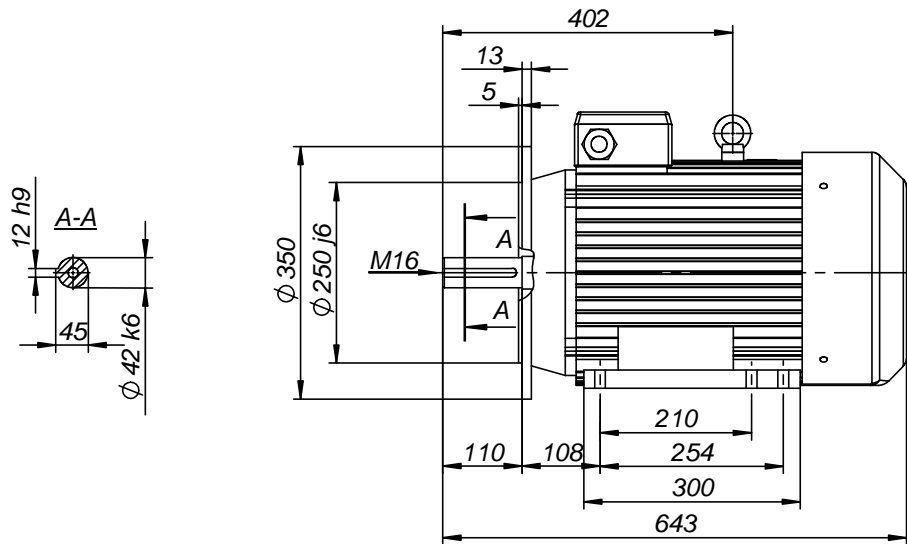
Drawing no.

S-1440-01-2014

Scale

1:10

Cantoni[®]
GROUP



Motor type

3SIEL160L-B35

(according to KK-35-01)



Drawing no.

S-1445-01-2014

Scale

1:10