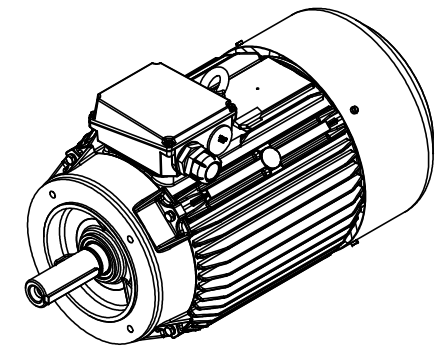
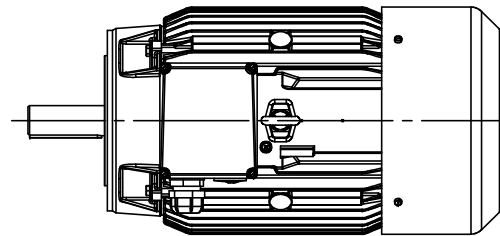
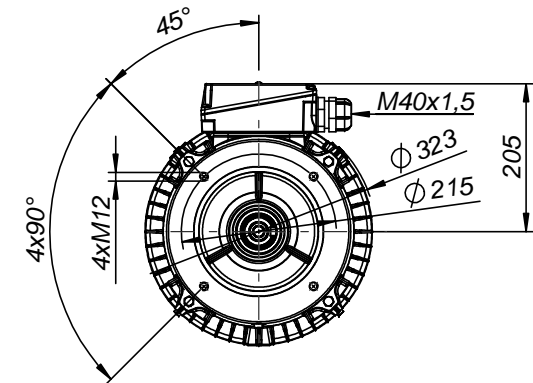
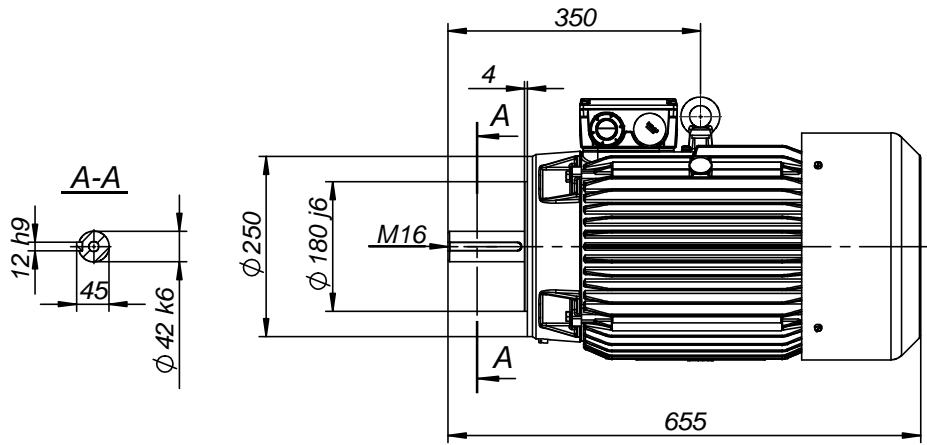


Motor type **Sg 160L-B3**

Drawing no. **S-011-01-2008**

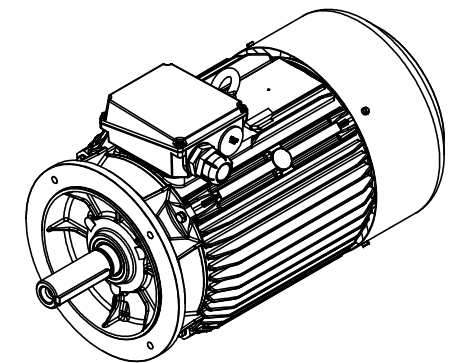
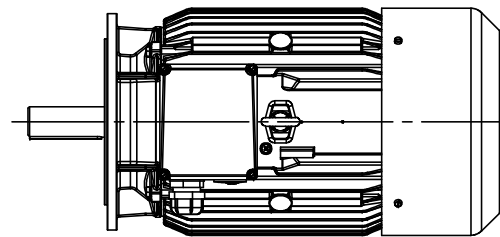
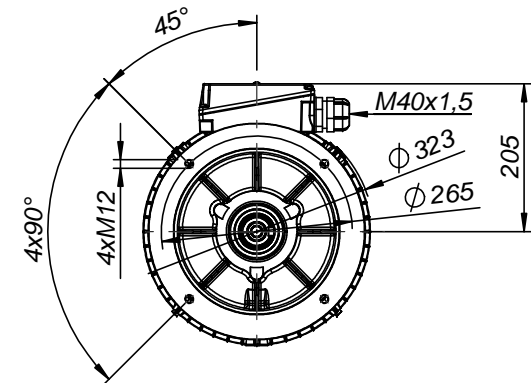
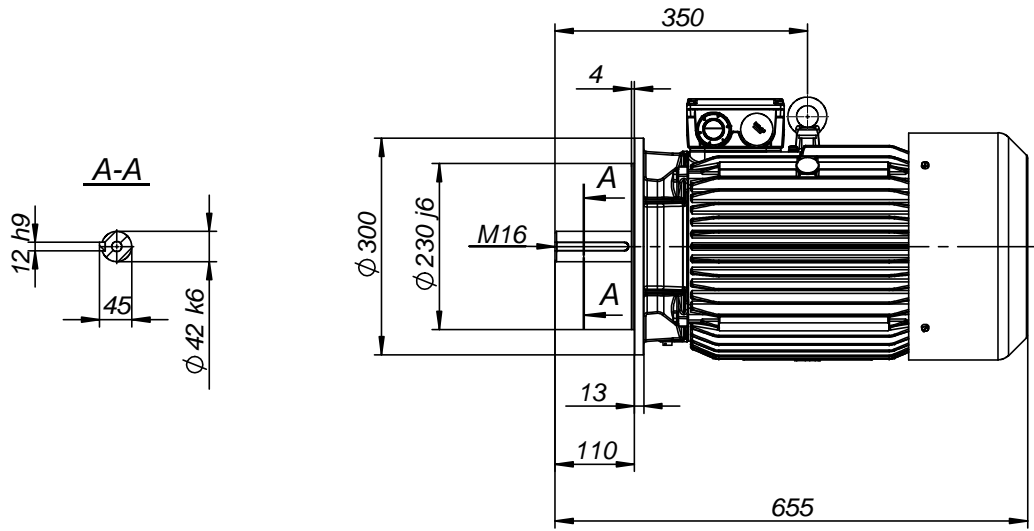
Scale **1:10**



Motor type **SKg 160L-B14-C2**

Drawing no. **S-060-01-2008**

Scale **1:10**



Motor type

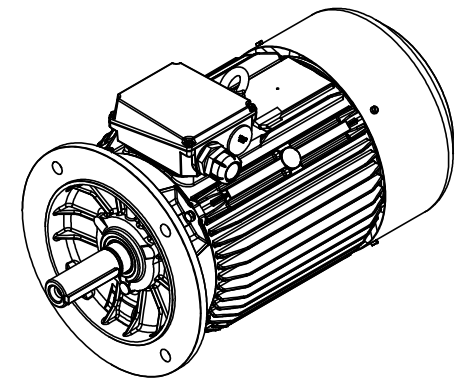
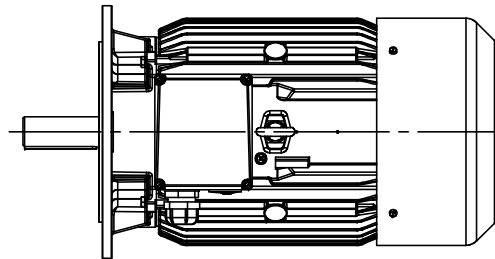
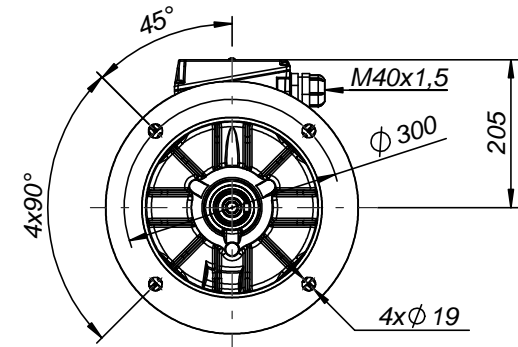
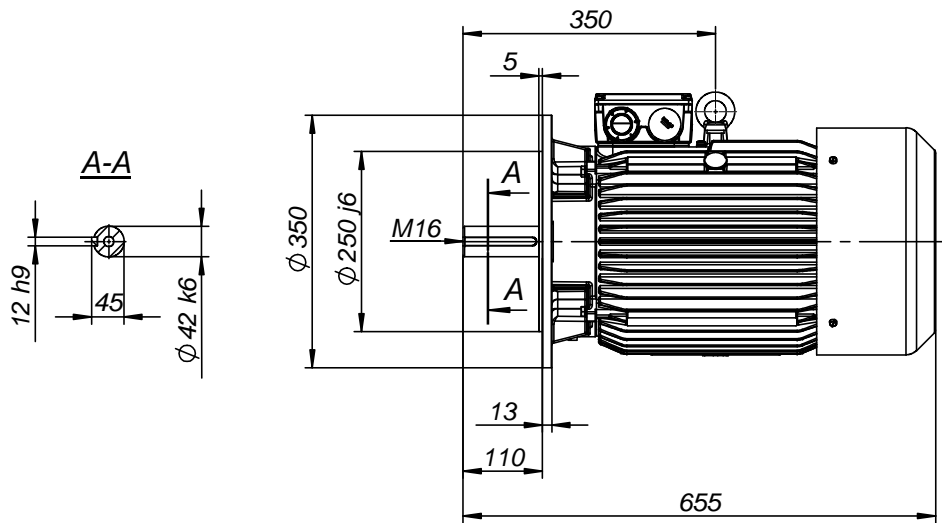
SKg 160L-B14-C1

Drawing no.

S-051-01-2008

Scale

1:10



Motor type

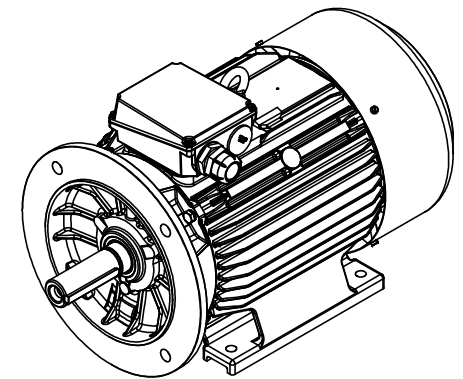
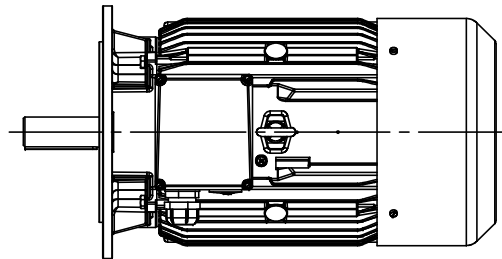
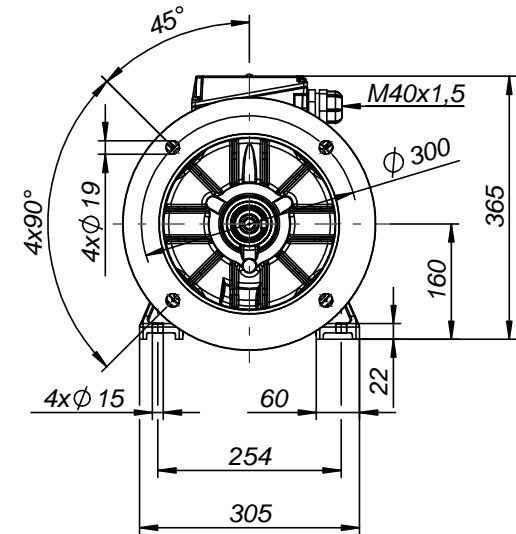
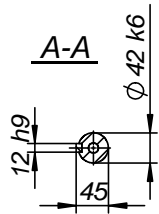
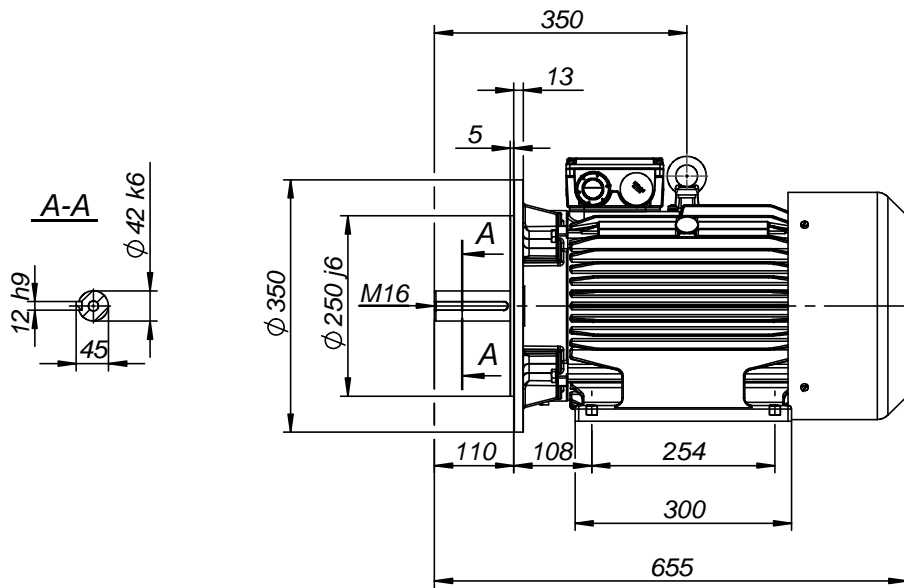
SKg 160L-B5

Drawing no.

S-025-01-2008

Scale

1:10



Motor type

SLg 160L-B35

Drawing no.

S-039-01-2008

Scale

1:10