

Motor type

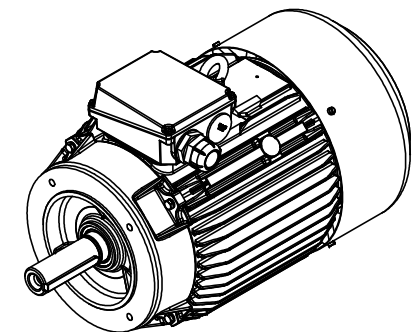
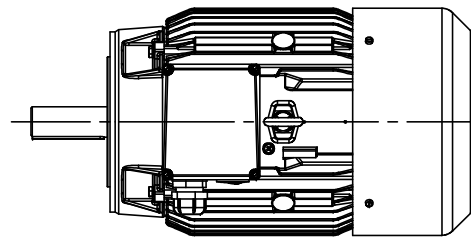
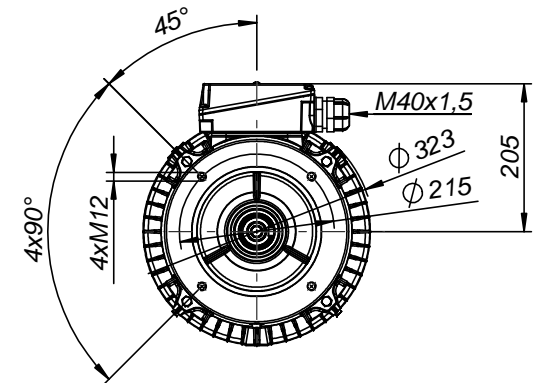
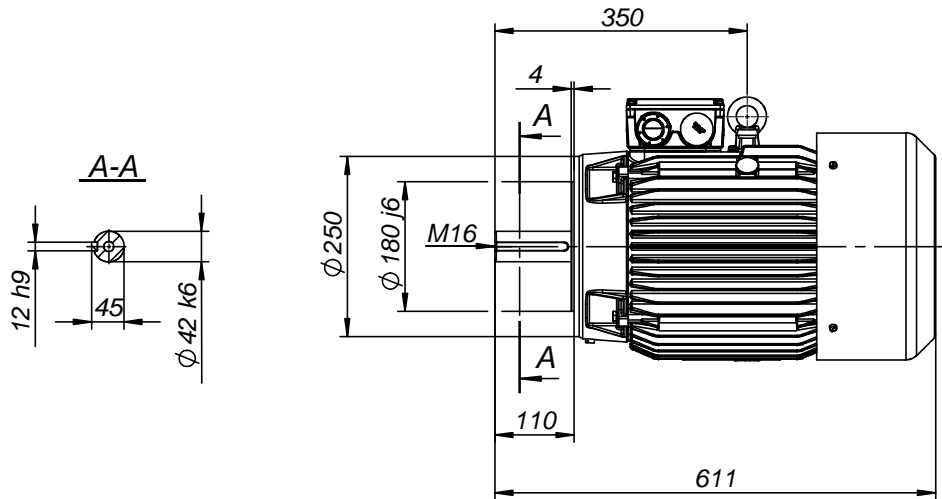
Sg 160M-B3

Drawing no.

S-010-01-2008

Scale

1:10



Motor type

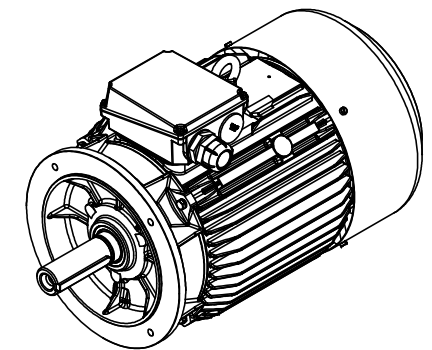
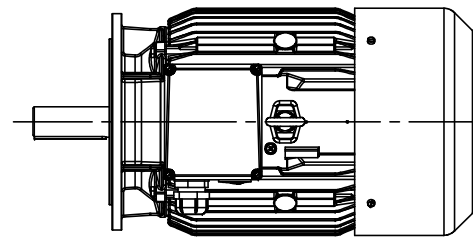
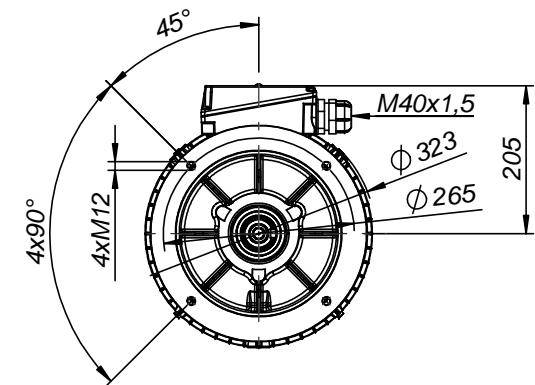
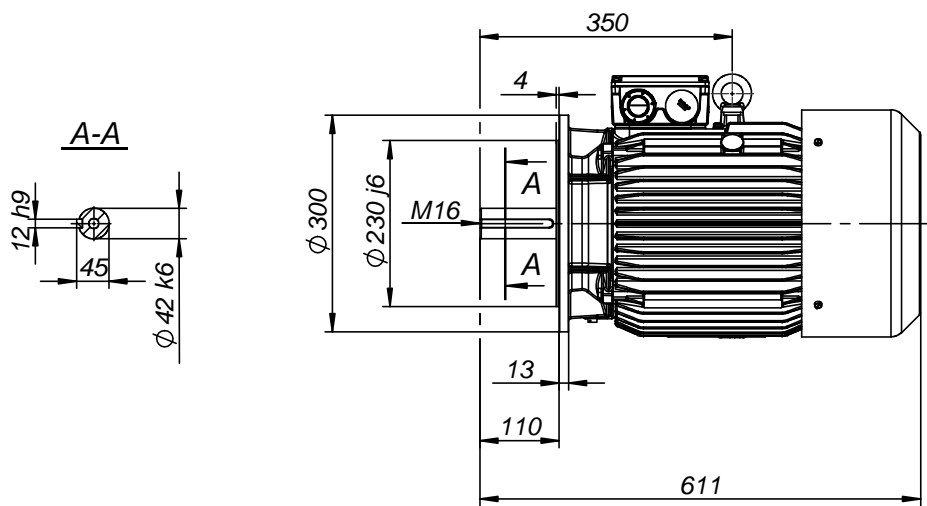
SKg 160M-B14-C2

Drawing no.

S-059-01-2008

Scale

1:10



Motor type

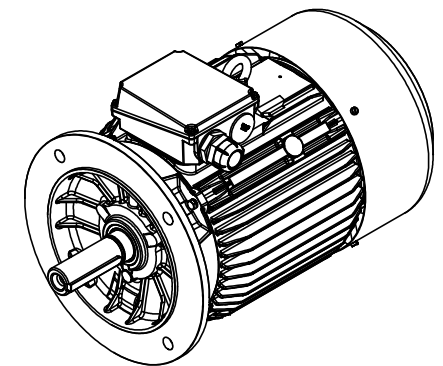
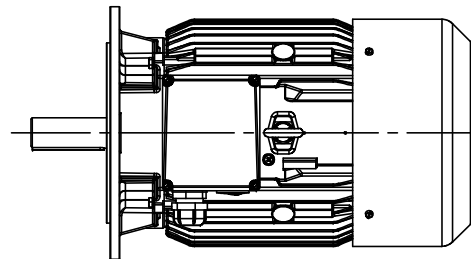
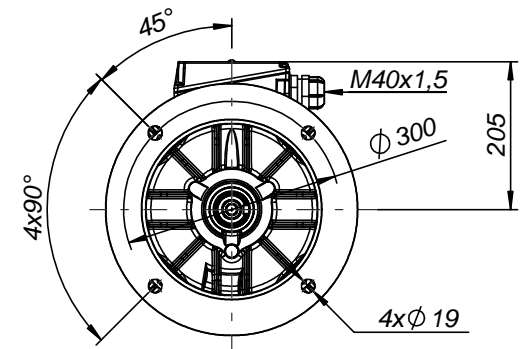
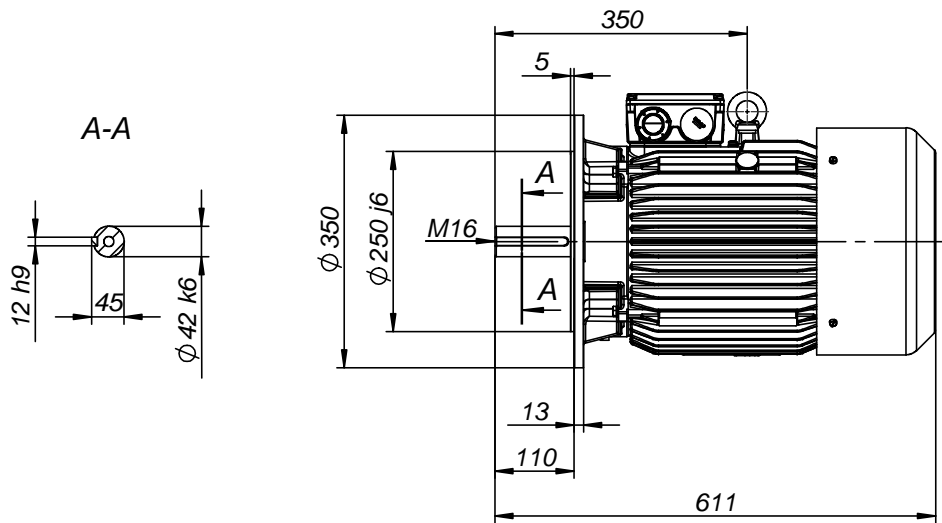
SKg 160M-B14-C1

Drawing no.

S-050-01-2008

Scale

1:10



Motor type

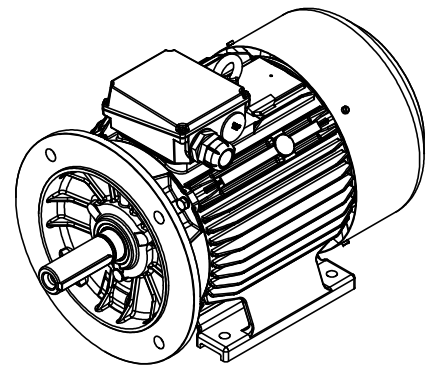
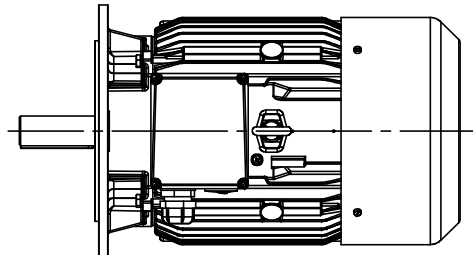
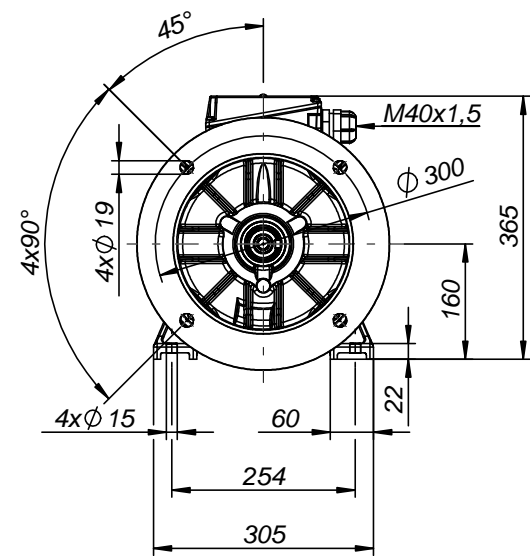
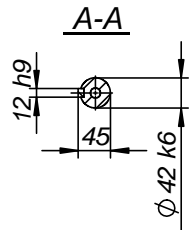
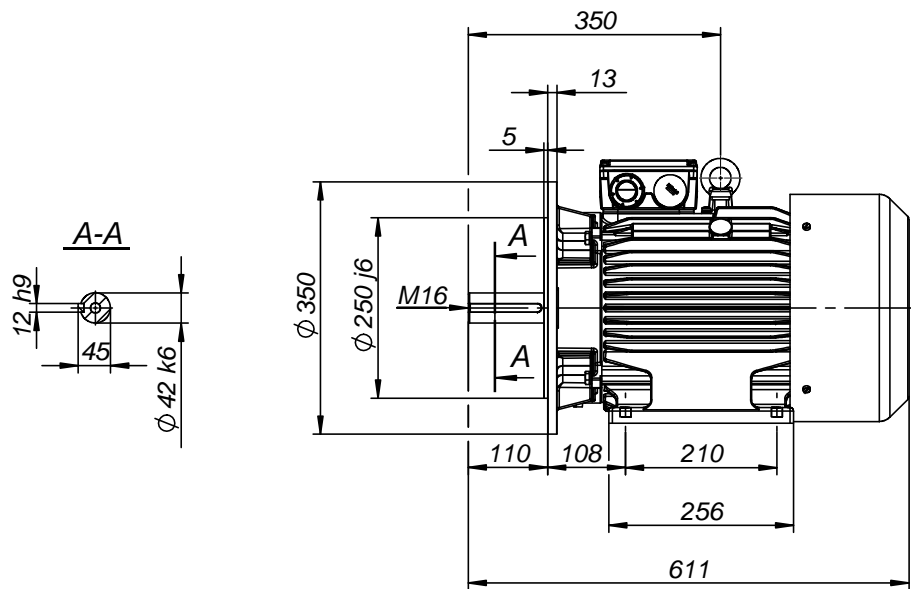
SKg 160M-B5

Drawing no.

S-024-01-2008

Scale

1:10



Motor type **SLg 160M-B35**

Drawing no. **S-038-01-2008**

Scale **1:10**