

Motor type

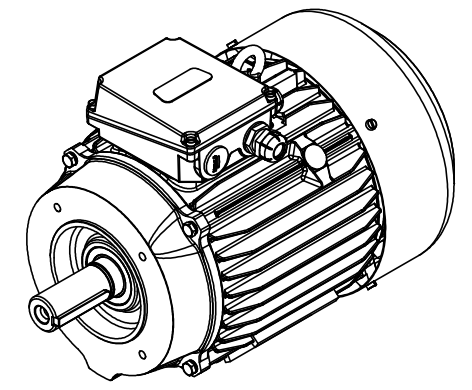
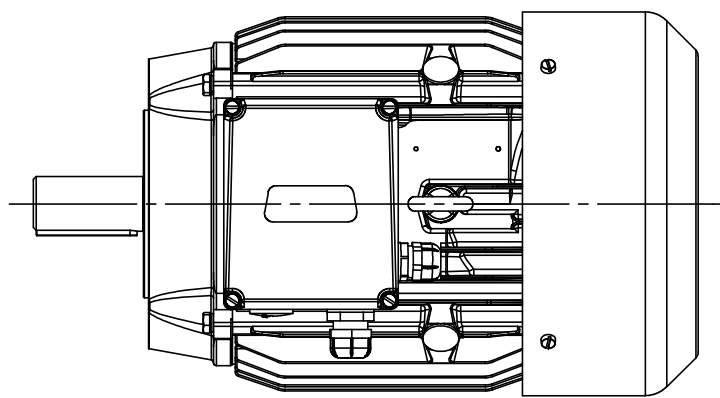
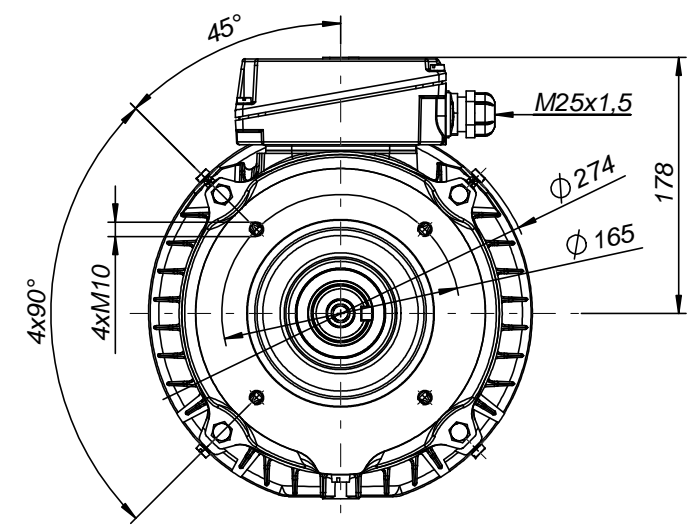
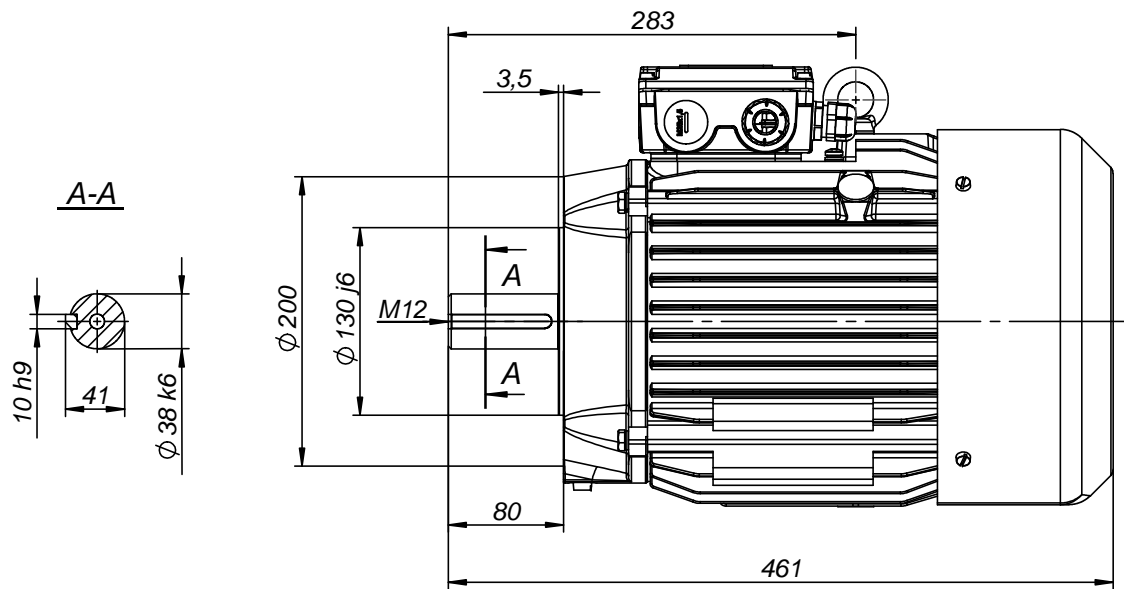
Sg 132S-B3

Drawing no.

S-007-01-2008

Scale

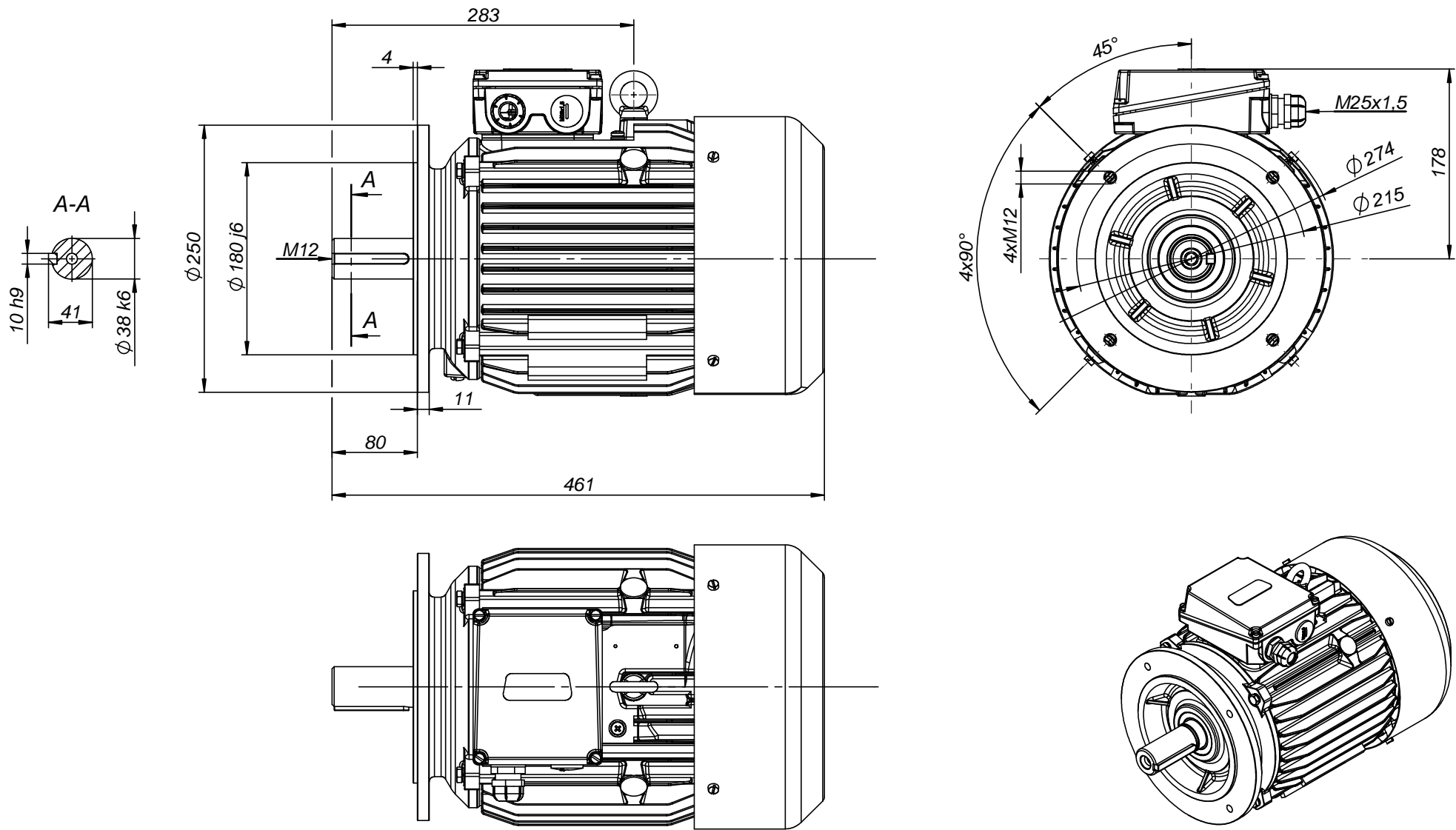
1:5



Motor type **SKg 132S-B14-C2**

Drawing no. **S-056-01-2008**

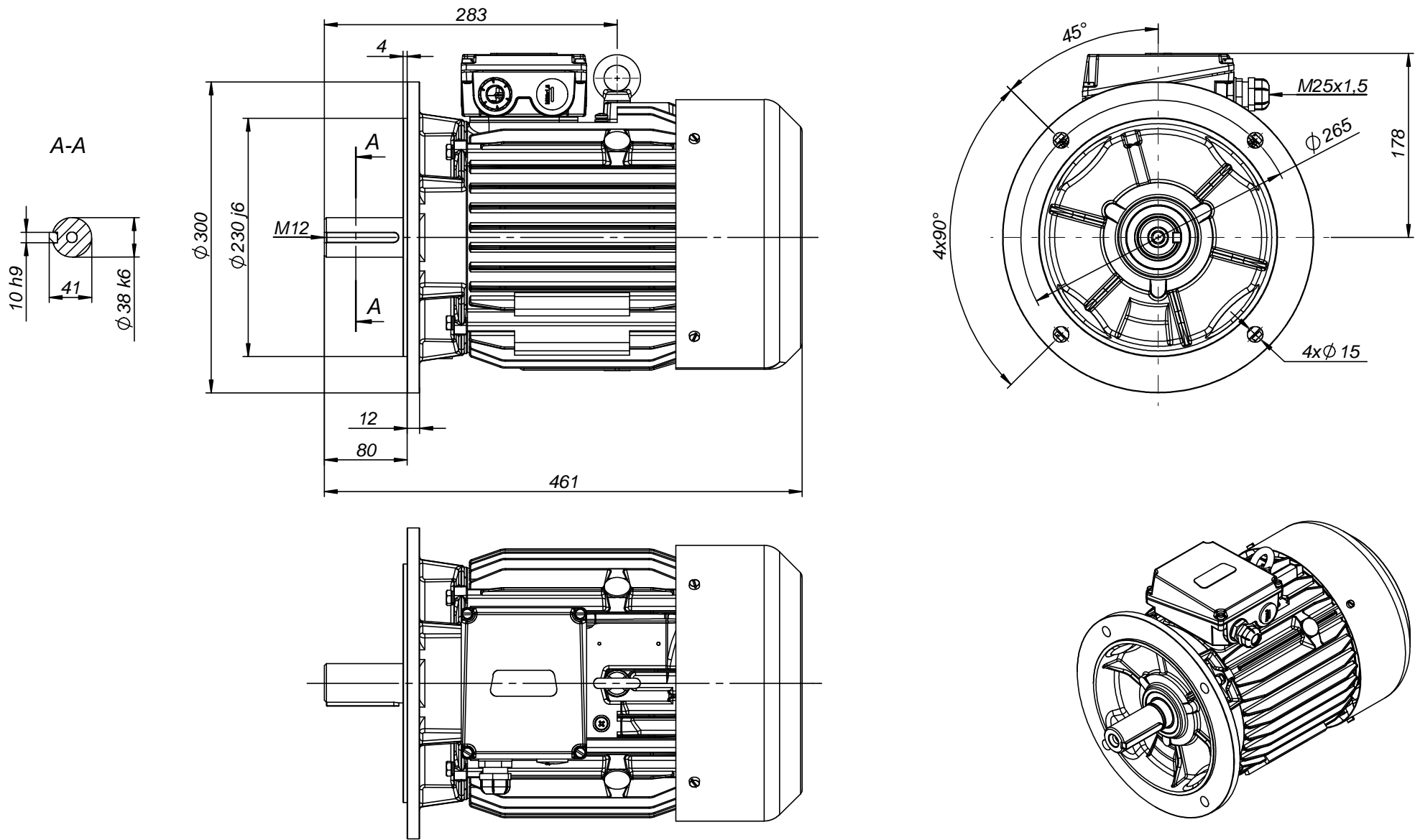
Scale **1:5**



Motor type
SKg 132S-B14-C1

Drawing no.
S-047-01-2008

Scale
1:5



Motor type

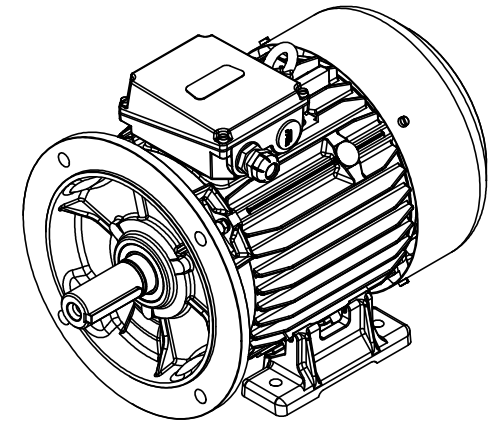
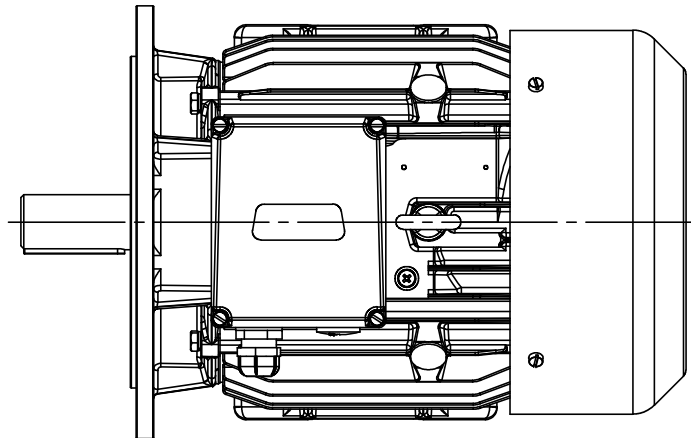
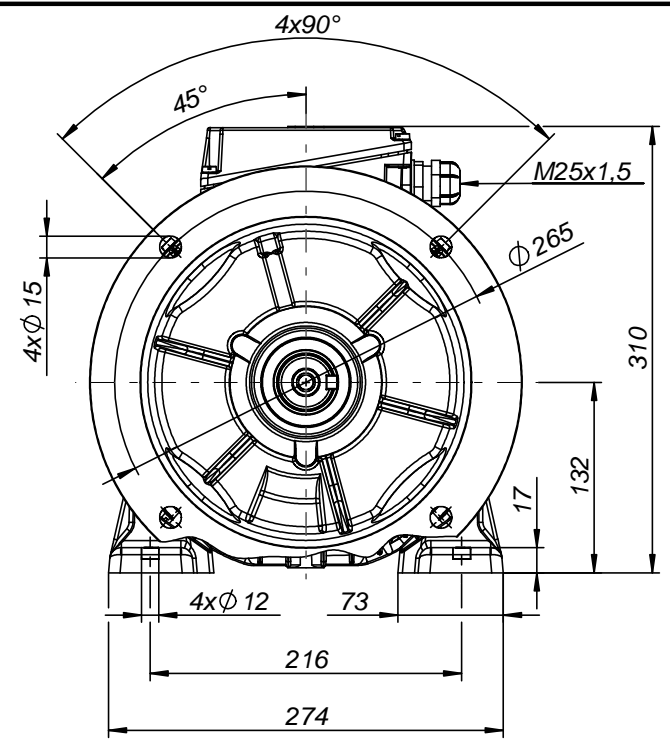
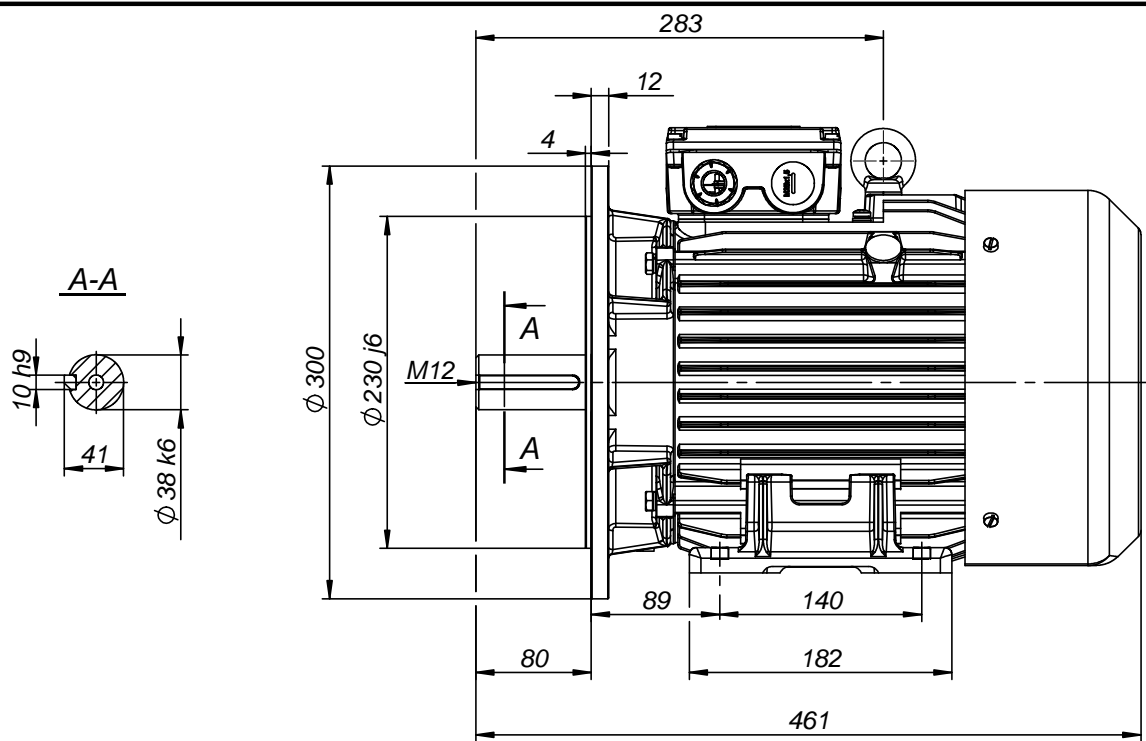
SKg 132S-B5

Drawing no.

S-021-01-2008

Scale

1:5



Motor type **SLg 132S-B35**

Drawing no. **S-035-01-2008**

Scale **1:5**