

CELMA
indukta

Motor type

3SIE90L2-B3

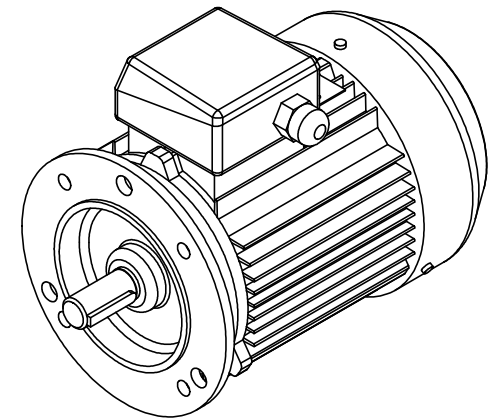
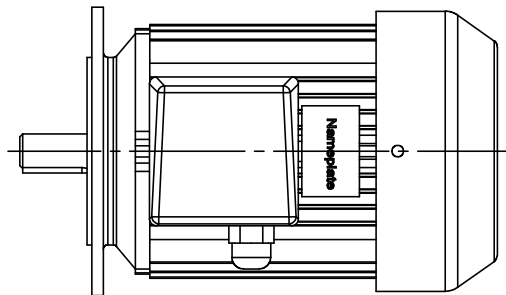
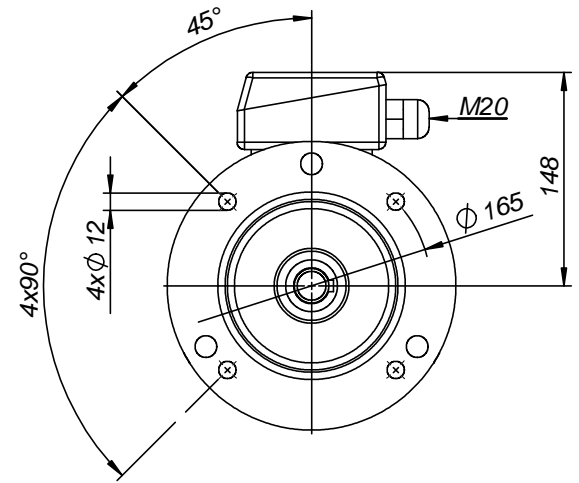
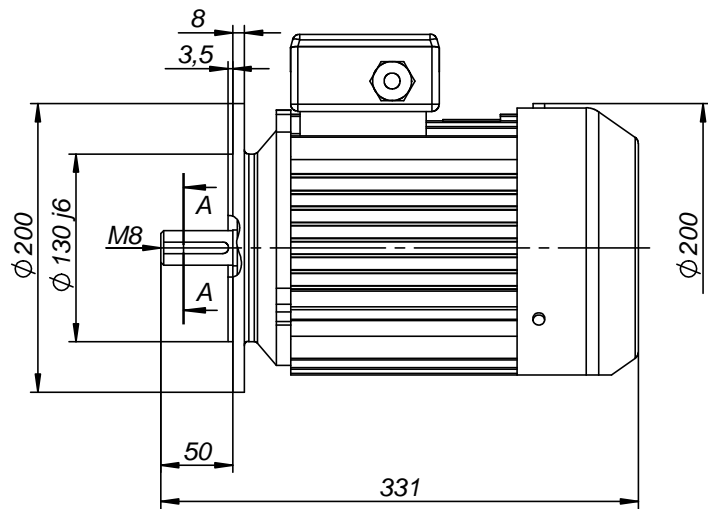
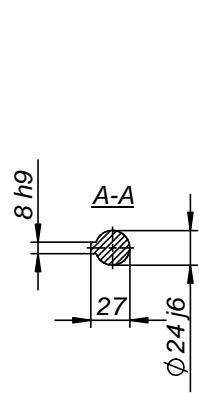
Drawing no.

S-1936-01-2016

Scale

1:5

Cantoni[®]
GROUP



Motor type

3SIEK90L2-B5

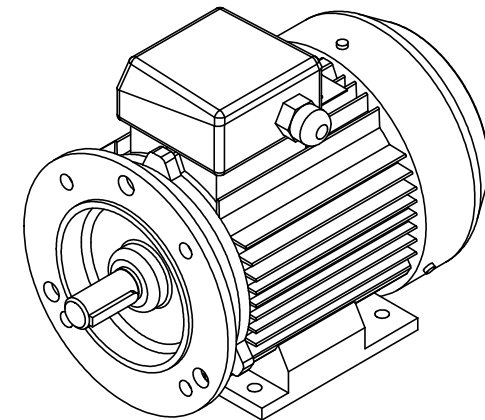
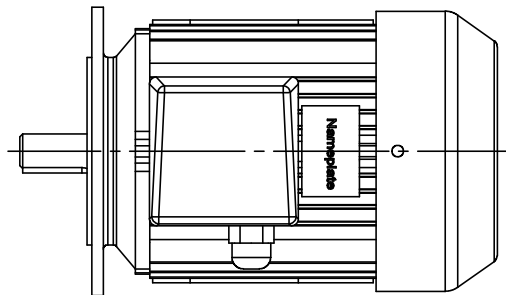
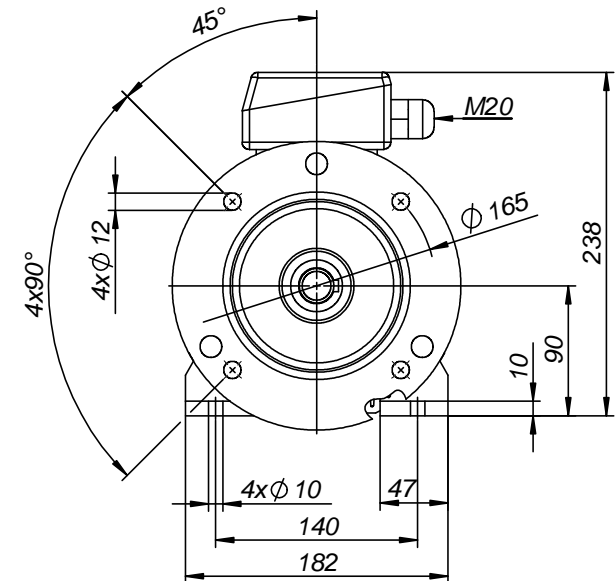
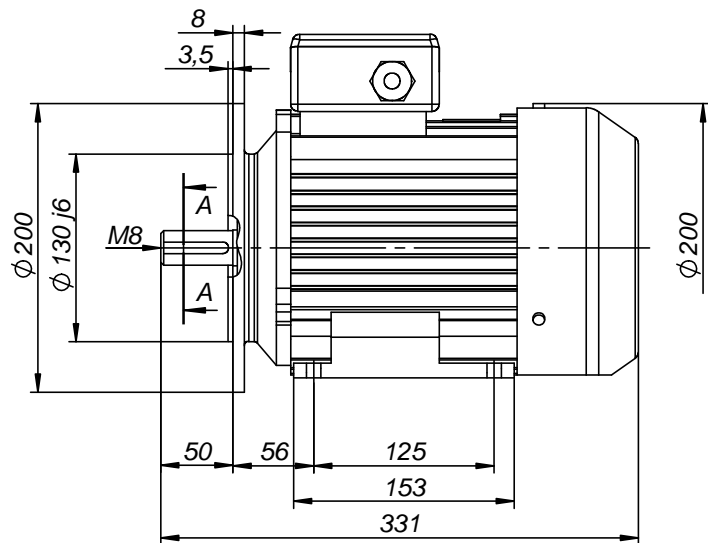
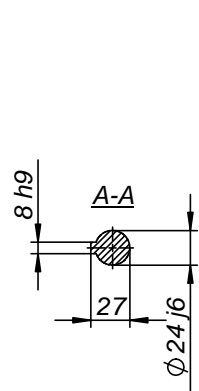
Drawing no.

S-2538-01-2017

Scale

1:5





Motor type

3SIEL90L2-B35

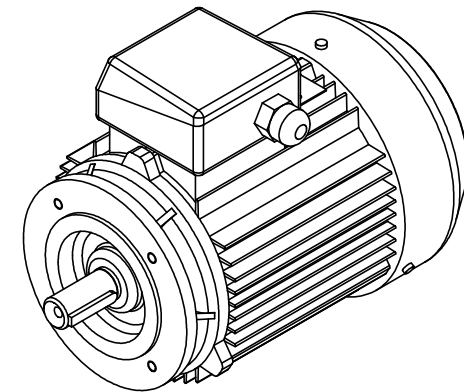
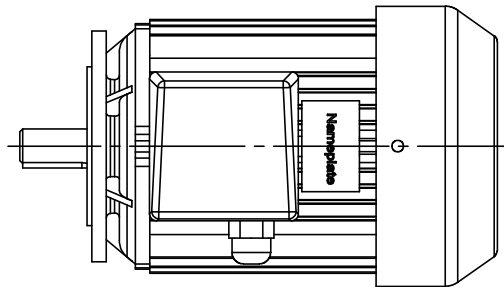
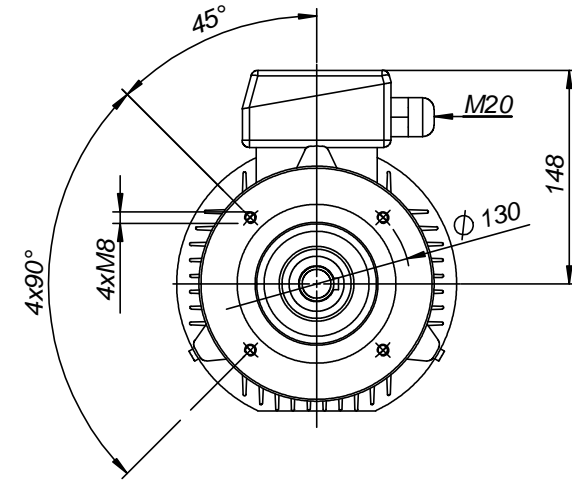
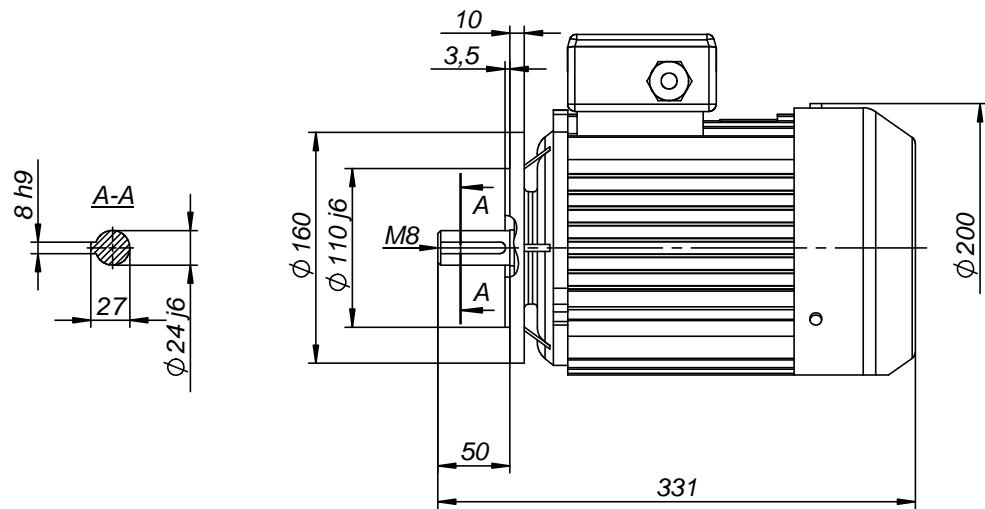
Drawing no.

S-1949-01-2016

Scale

1:5





Motor type

3SIEK90L2-B14-C1

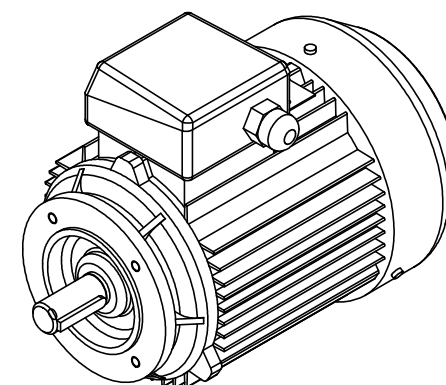
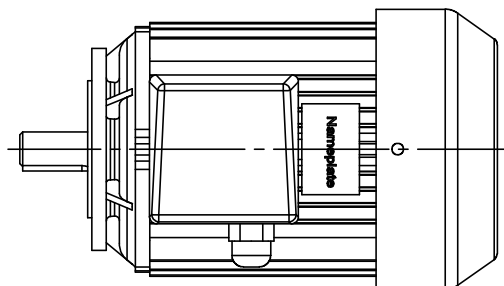
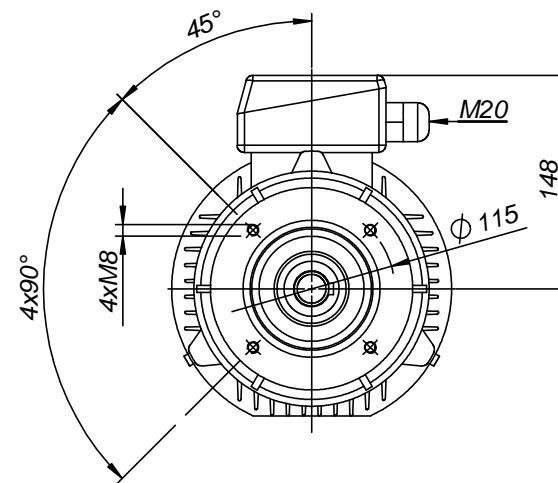
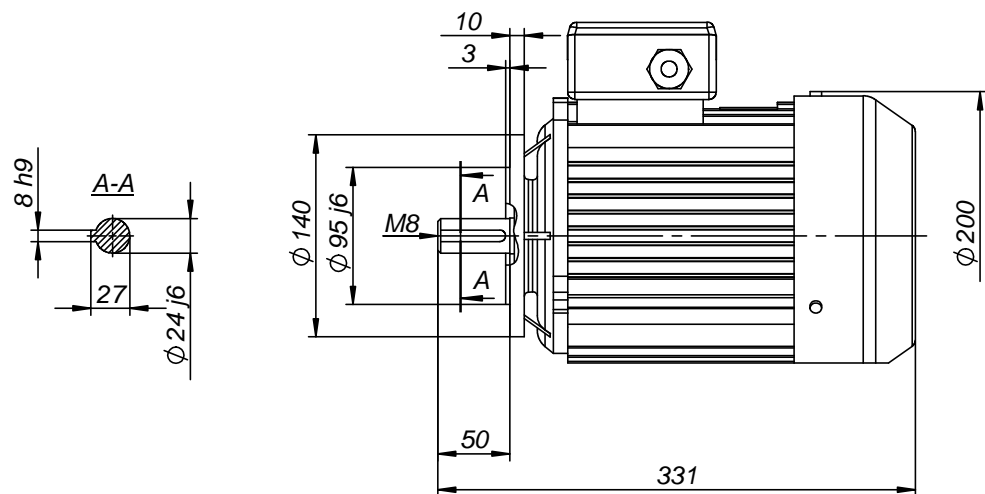
Drawing no.

S-2536-01-2017

Scale

1:5





Motor type

3SIEK90L2-B14-C2

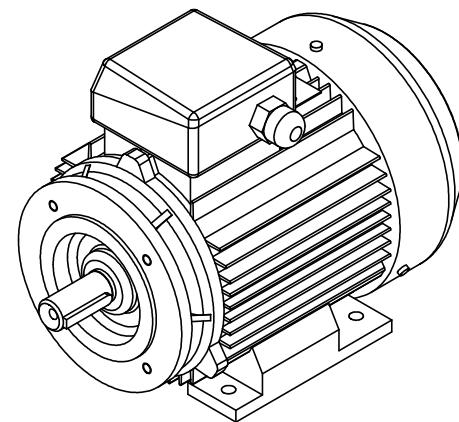
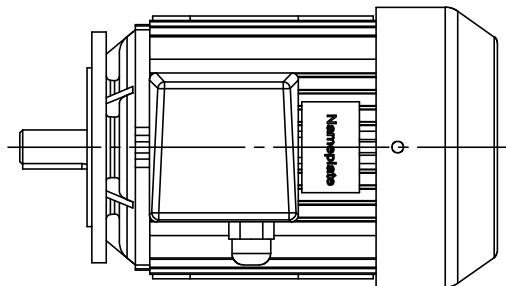
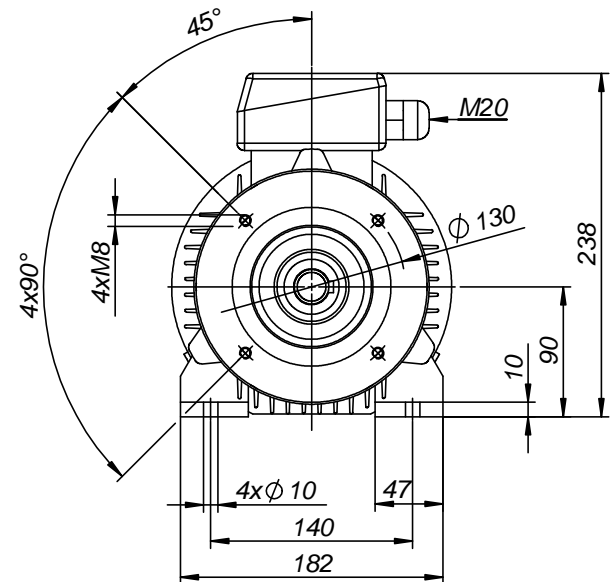
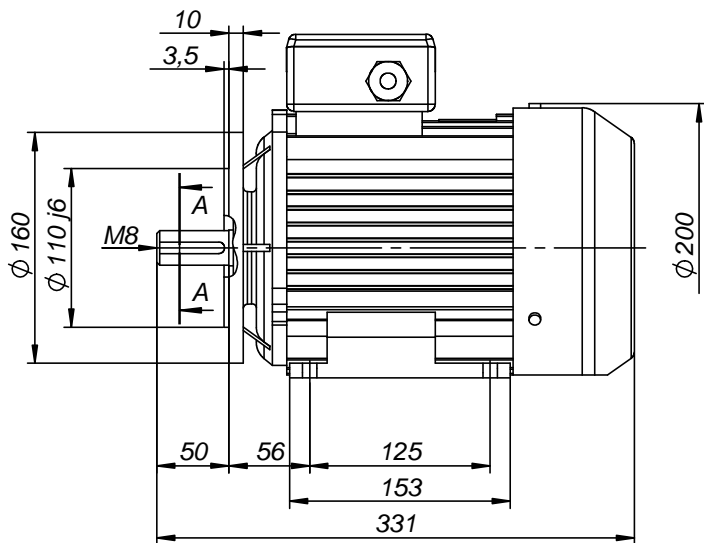
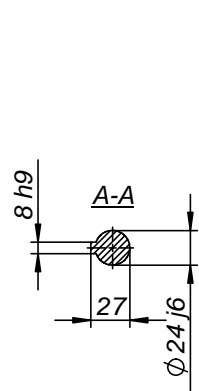
Drawing no.

S-2537-01-2017

Scale

1:5





Motor type

3SIEL90L2-B34-C1

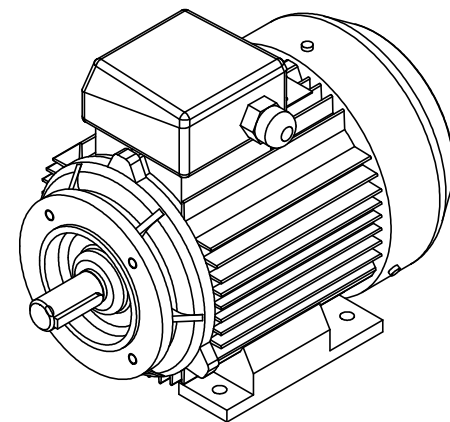
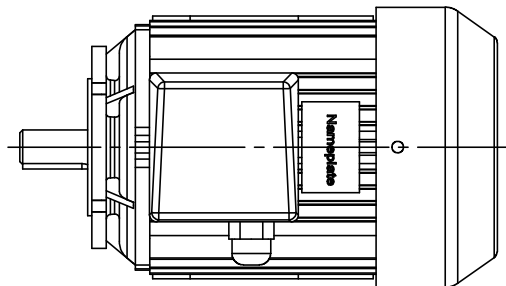
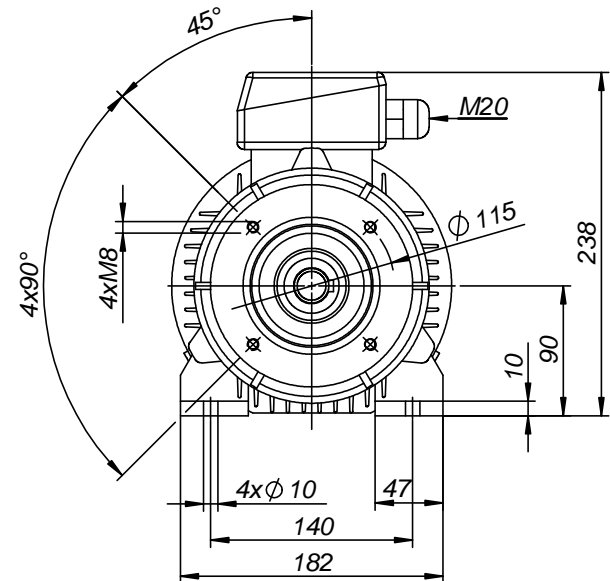
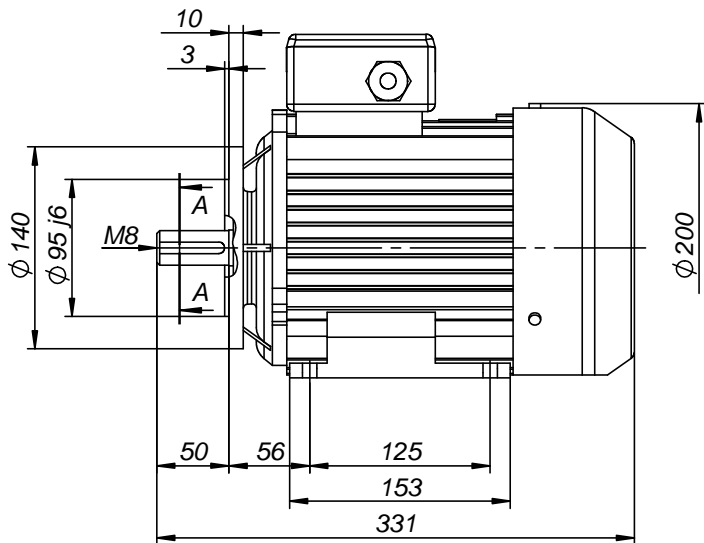
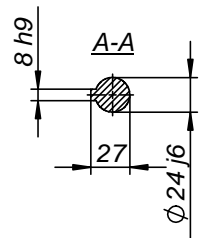


Drawing no.

S-1969-01-2016

Scale

1:5



Motor type

3SIEL90L2-B34-C2



Drawing no.

S-1970-01-2016

Scale

1:5