

Motor type

3SIE180M-B3

(according to KK-35-01)

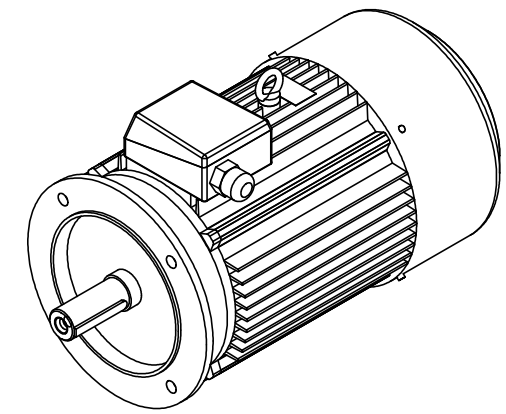
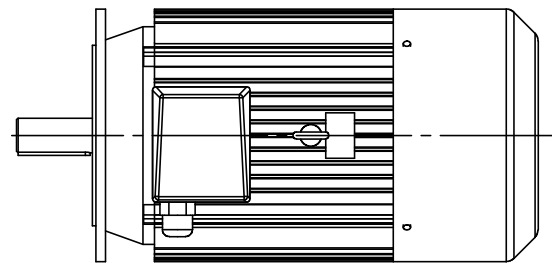
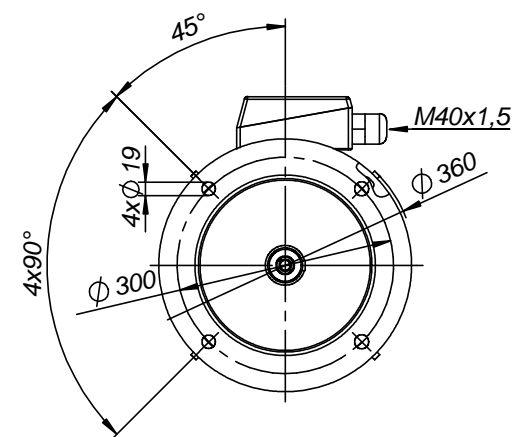
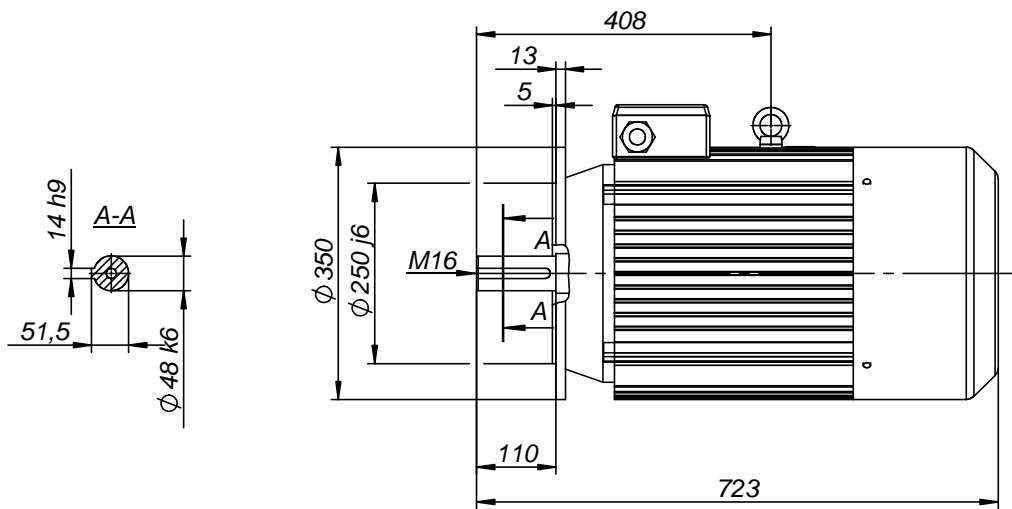
Drawing no.

S-1437-01-2014

Scale

1:10





Motor type

3SIEK180M;L-B5

(according to KK-35-01)

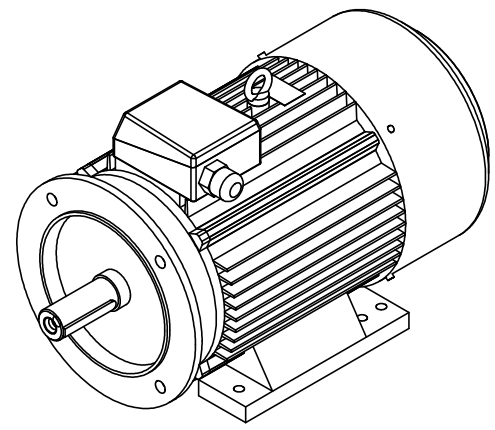
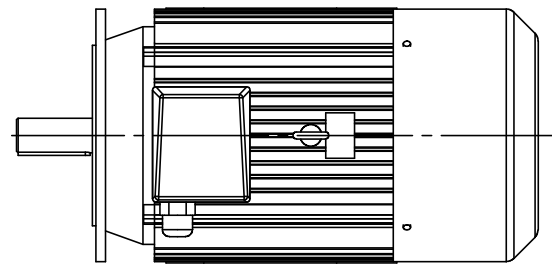
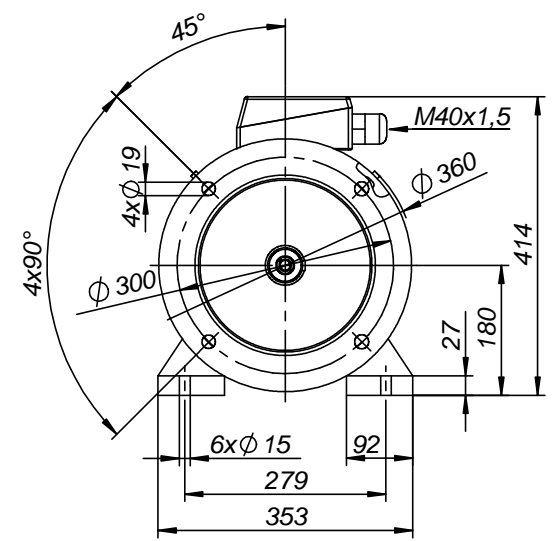
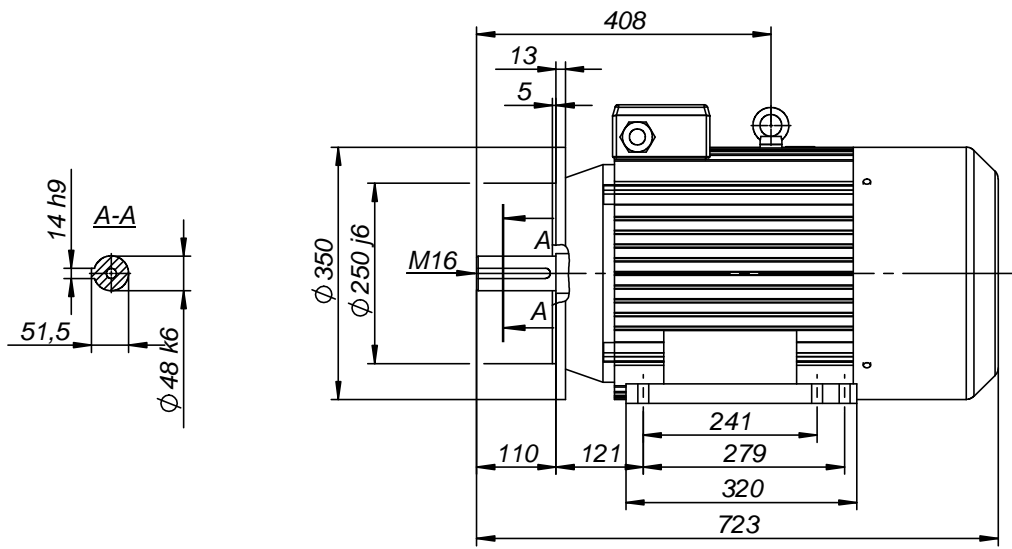


Drawing no.

S-1441-01-2014

Scale

1:10



Motor type

3SIEL180M-B35

(according to KK-35-01)

Drawing no.

S-1446-01-2014

Scale

1:10